

Travelling Merchant: _____

DATASHEET

Standard: DPAT18430001

Plot			The Label
Drew	Audited	Approved	Stamp, please! Thanks!
Date:			

Guangdong Dapu Telecom Technology Co.,Ltd

Bldg13,.N.Ind.Zone,SSL Industry Park, Dongguan City, Guangdong Province, China

TEL: 0086-0769-88010888 FAX: 0086-0769-81800098

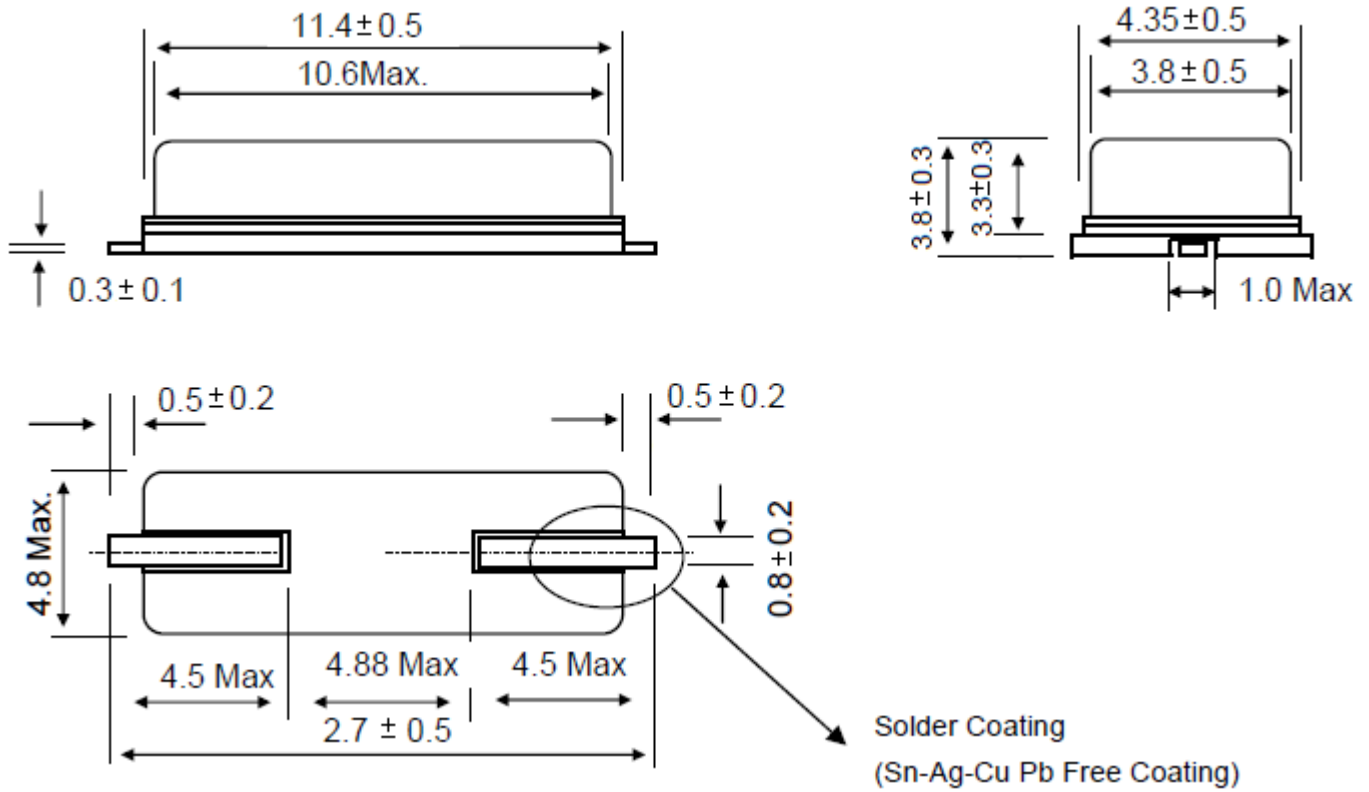


1、Electrical Parameters

MODEL: DPAT18430001							
No.	Parameters	SYM.	Electrical Spec.				Notes
			Min.	Typ.	Max.	Units	
1	Nominal Frequency	FL	18.432			MHz	
2	Oscillation Mode	-	Fundamental				
3	Load Capacitance	CL	12.0±10%			pF	
4	Frequency Tolerance	-	-30	-	30	ppm	
5	Effective Series Resistance	-	-	-	50	Ohms	
6	Stability Over Temperature Range	-	-20		+20	ppm	(related to 25°C)
7	Operating Temperature Range	-	-40	~	+85	°C	
8	Aging	-	-5		+5	ppm	1st Year
9	Drive Level	DL	100			uW	
10	Shunt Capacitance	C0	1	-	5	pF	
11	Insulation Resistance	-	500	-	-	MΩ	at DC 100V
12	Storage Temperature	-	-40	~	+85	°C	
13	Mechanical Shock	Device are shocked to half sine wave (1000 G) three mutually perpendicular axes each 3 times(total 18shocks). 0.5m sec. duration time					MIL-STD-202
14	Vibration	Frequency range 10 ~ 2000 Hz Acceleration 5G Sweep time 20 minute perpendicular axes each test time 4 hours (Total test time 12 hours)					MIL-STD-202



2、Mechanical Structure(mm)



3、Reflow Soldering Curve (RoHS)

