

Travelling Merchant: C189

# DATASHEET

Standard: O23B-F420-10.23MHz-A

Plot			The Label
Drew	Audited	Approved	Stamp, please! Thanks!
Date:			

**Guangdong Dapu Telecom Technology Co.,Ltd**

Bldg13-16,N.Ind.Zone,SSL Industry Park, Dongguan City, Guangdong Province, China

TEL: 0086-0769-88010888 FAX: 0086-0769-81800098



## 1、Electrical Parameters

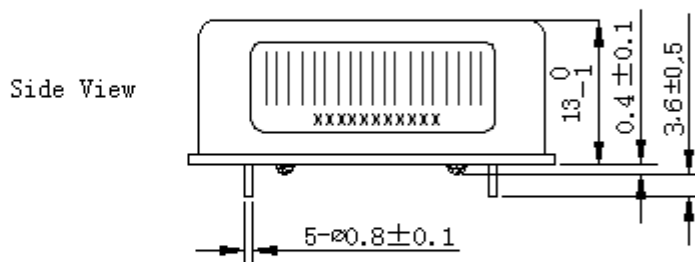
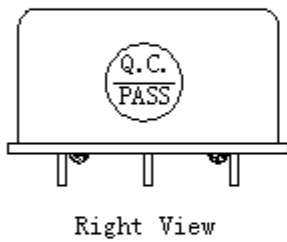
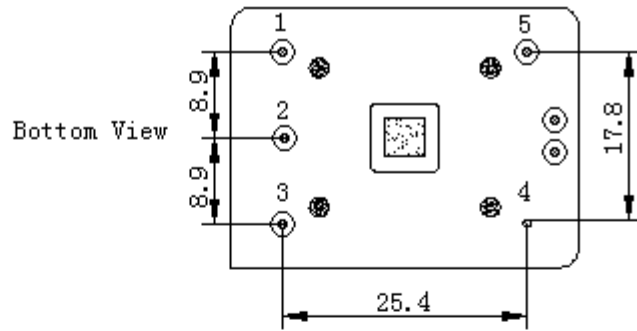
MODEL: O23B-F420-10.23MHZ-A						
Item	Description	Parameters			Unit	Test Condition
		Min.	Typ.	Max.		
Output	Frequency	10.23			MHz	
	Output Waveform	Sine wave				
	Level	5		9	dBm	
	Load	50			$\Omega$	
	Harmonics Suppression			-30	dBc	
	Spurious Suppression			-60	dBc	
Frequency Stabilities	Frequency Tolerance vs. Operating Temperature Range	-0.5		+0.5	ppb	$T_A$ varied from $-20^{\circ}\text{C}$ to $70^{\circ}\text{C}$ , measurement referenced to frequency observed with $T_A = 25^{\circ}\text{C}$ , $V_{cc}=5.0\text{V}$ , $V_c=2.0\text{V}$ , $O_{load}=50\Omega$ temperature rise speed less than $2^{\circ}\text{C}$ per minute.
	Initial Frequency Tolerance	-0.05		+0.05	ppm	After warm up 15 minute, Measurement referenced to frequency observed with $T_A=25^{\circ}\text{C}$ , $V_{cc}=5.0\text{V}$ , $V_c=2.0\text{V}$ and after 1 hour of operation
	Frequency Tolerance vs. Supply Voltage	-0.5		+0.5	ppb	measurement referenced to frequency observed $T_A=25^{\circ}\text{C}$ , $V_{cc}$ varied from $4.75\text{V}$ to $5.25\text{V}$ , $V_c=2.0\text{V}$ .
	Frequency Tolerance vs. Load	-0.5		+0.5	ppb	5% load change measurement referenced to frequency observed with $T_A=25^{\circ}\text{C}$ , $V_{cc}=5.0\text{V}$ , $V_c=2.0\text{V}$ and $O_{Load}=50\Omega$ .
	Short-Term Stability: Allan Variance			0.01	ppb	Temperature stability, no EMI/EMC or other interference, test after power for 1hour ref. to $25^{\circ}\text{C}$ ; 1s, using PN9000 equipment.
	Aging Tolerance Per Day	-0.5		+0.5	ppb	$V_{cc}$ , $V_c$ , $T_A$ constant measurement referenced to frequency observed with $T_A=25^{\circ}\text{C}$ , $V_{cc}=5.0\text{V}$ , $V_c=2.0\text{V}$ , and after 30 days of operation.
	Aging Tolerance 1 Year	-0.05		+0.05	ppm	
Power Supply	Supply Voltage	4.75	5.0	5.25	V	
	Steady Consumption			400	mA	@ $25^{\circ}\text{C}$
	Warm up current			1000	mA	



Voltage Control Characteristics	Frequency Tuning Range			-0.3	ppm	$V_C=0$ V. measurement referenced to $V_C=2.0$ V
		-0.05		+0.05	ppm	$V_C=2.0$ V. measurement referenced to exactly 10.23MHz in 30 days after ex-works
		+0.3			ppm	$V_C=4.0$ V. measurement referenced to $V_C=2.0$ V
	Linearity			10	%	
	Slope	Positive				
	Input Impedance	100				K Ohm
Phase Noise	Phase Noise		-125		dBc/Hz	10Hz
			-140			100Hz
			-145			1KHz
			-150			10KHz
			-150			100KHz
Environmental Conditions	Operable Temperature	-20		+70	°C	
	Storage Temperature	-55		+80	°C	
	Vibration	Test Condition: 0.75mm ;acceleration:10g;10Hz~500Hz, one cycle per 30 min, test 2 hour. (3 times for each 3 directions X ,Y , Z), IEC 68-2-06 Test Fc.				
	Shock	50g; 11ms; half sine wave (3 times for each 3 directions X ,Y, Z ),IEC 68-2-27 Test Ea/Severity 50A.				

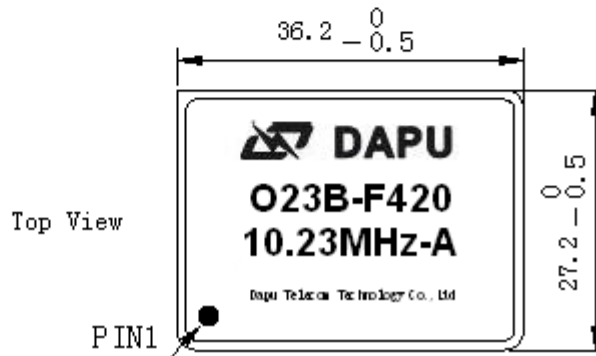


## 2、Mechanical Structure(mm)



### PIN FUNCTION

PIN	FUNCTION
1	VCC
2	NC
3	VC
4	GND
5	OUTPUT

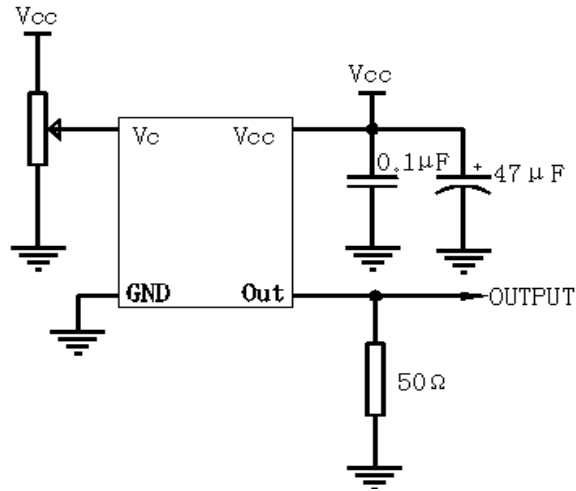


**Note1:** Tolerance ±0.2mm without mark

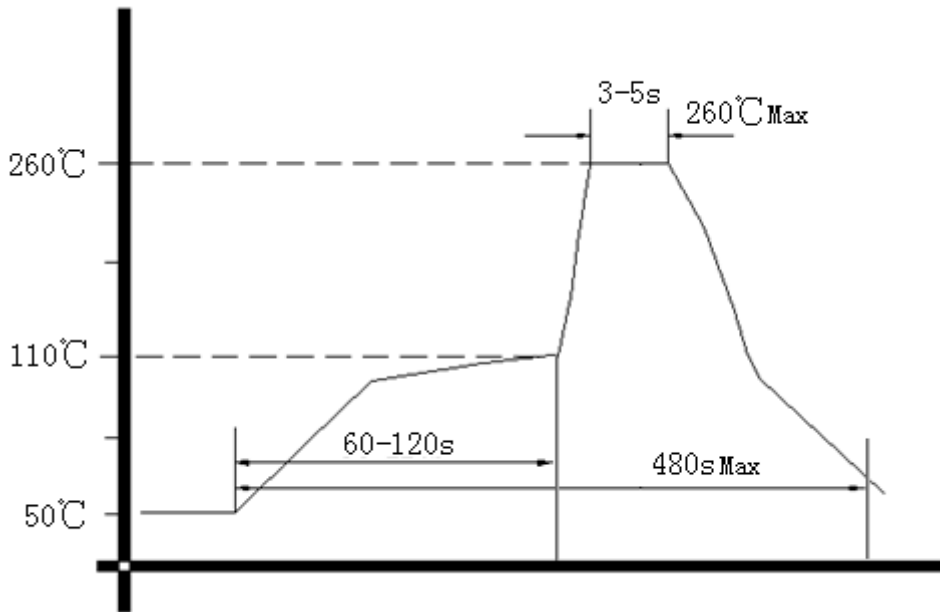
**Note2:** Referential Weight 21g



### 3、 Test Circuit



### 4、 Wave Soldering Curve (RoHS)



### 5、 Package: PVC Tube,5pcs (mm)

