

Customer Code : _____

DATASHEET

DAPU PN: **D32-20.00MHz** **TEMPH2332 /X3223YF20002H2**

DAPU			Customer Approval
Drew	Audited	Approved	Stamp, please! Thanks!
Date: 2013.04.19			

Guangdong Dapu Telecom Technology Co.,Ltd

Bldg13-16,.N.Ind.Zone,SSL Industry Park, Dongguan City, Guangdong Province, China

TEL: 0086-0769-88010888 FAX: 0086-0769-81800098



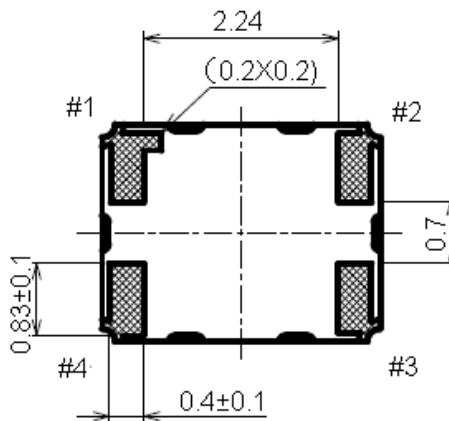
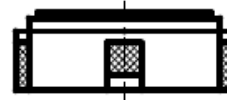
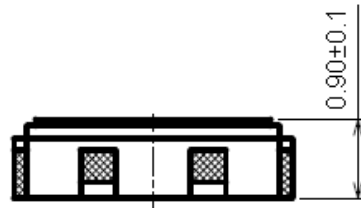
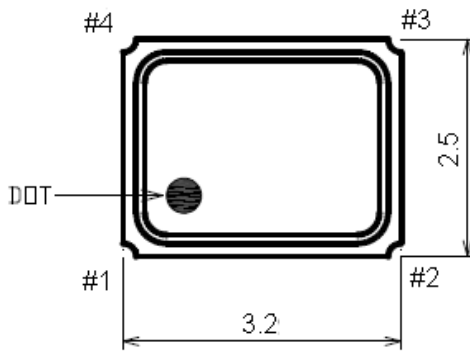
1、 Electrical Parameters

MODEL: D32-20.00MHz								
No.	Parameters		SYM.	Electrical Spec.			Units	Notes
				Min.	Typ.	Max.		
1	Nominal Frequency		FL	20.00			MHz	
2	Supply Voltage		VDD	3.135	3.3	3.465	V	
3	Current Drain		-	-	-	1.5	mA	
4	Output Level		-	0.8	-	-	Vp-p	
5	Output Waveform		-	Clipped Sine wave			-	
6	Standard Output Load		-	10KΩ/10pF			-	
7	Frequency Stability	vs.Tolerance	-	-1.5	-	+1.5	$\times 10^{-6}$	After 2 time reflow Ref. to Nominal frequency
8		vs. Temperature	-	-0.5	-	+0.5	$\times 10^{-6}$	T _A varied from -30°C to +85°C, Ref. to Frequency T _A =25°C
9			-	-1.0	-	+1.0	$\times 10^{-6}/^{\circ}\text{C}$	T _A =-40~-30°C Ref. to Frequency (T _A =+25°C)
10		vs. Load	-	-0.2	-	+0.2	$\times 10^{-6}$	±5% load change measurement referenced to frequency observed
11		vs. Supply Voltage	-	-0.2	-	+0.2	$\times 10^{-6}$	V _{cc} varied from 3.135V to 3.465V
12	Operating Temperature Range		-	-40	~	+85	°C	
13	Storage Temperature		-	-40	~	+85	°C	
14	Start Up Time		-	-	-	2.0	ms	@90% of final V _{out} level
15	Duty Cycle		-	40	~	60	%	
16	Aging		-	-1.0	-	+1.0	$\times 10^{-6}$	1st Year
17	Frequency Tuning Range		-	-15	-	-9	$\times 10^{-6}$	V _c = 0.5 V. measurement referenced to V _c =1.5V
18			-	+9	-	+15	$\times 10^{-6}$	V _c =2.5V.measurement referenced to V _c =1.5V
19	Linearity		-	-	-	10	%	
20	Slope			Positive				
21	Input Impedance		-	500	-	-	KΩ	
22	Phase Noise	@ 1KHz Offset	-	-	-	-130	dBc/Hz	
23	ESD Level		Human Body Model,class2: 2000V to 4000V; ANSI/ESDA/JEDEC JS-001-2010.					
			Machine Model, class B: 200V to 400V; ANSI/ESDA/JEDEC JS-001-2010.					



24	Moisture Sensitivity Level	Level 2.
25	Vibration	Test Condition: 0.75mm ;acceleration:10g;10Hz~2000Hz, one cycle per 30 min, test 2 hour. (3 times for each 3 directions X ,Y , Z) .IEC 68-2-06 Test Fc.
26	Shock	100g; 6ms; half sine wave (3 times for each 3 directions X ,Y , Z),IEC 68-2-27 Test Ea/Severity 50A.

2、Mechanical Structure(mm)

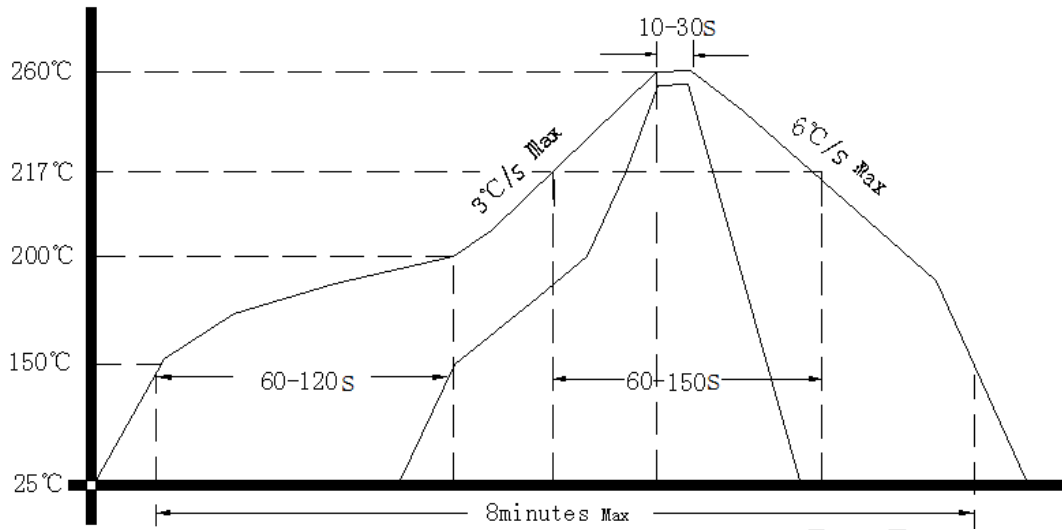


PAD NO.	Connection
#1	VCONT
#2	GND
#3	OUTPUT
#4	VCC

Note1: Tolerance $\pm 0.2\text{mm}$



3、 Reflow Soldering Curve (RoHS)



4、 Package: Tape & Reel (mm)

