

Customer Code : _____

DATASHEET

DAPU P/N: M11A-J419-40.00MHz

Customer P/N: _____

| DAPU | | | Customer Approval |
|------------------|---------|----------|------------------------|
| Drew | Audited | Approved | Stamp, please! Thanks! |
| | | | |
| Date: 2016.12.27 | | | |

Guangdong Dapu Telecom Technology Co.,Ltd

Bldg 16,.N.Ind.Zone,SSL Industry Park, Dongguan City, Guangdong Province, China

TEL: 0086-0769-88010888 FAX: 0086-0769-81800098



1. Electrical Parameters

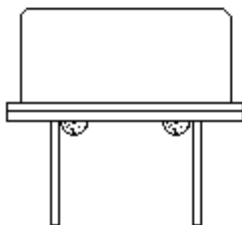
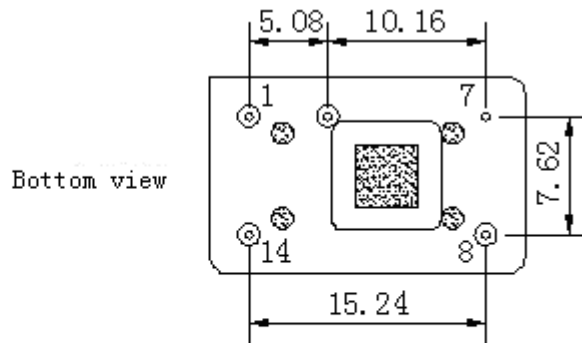
| MODEL: M11A-J419-40.00MHz | | | | | | |
|---------------------------|---|-----------------|------|-------|------------------|--|
| Item | Parameters | Electrical Spec | | | Unit | Test Condition |
| | | Min. | Typ. | Max. | | |
| Output | Frequency | 40.00 | | | MHz | |
| | Output Waveform | Sine Wave | | | | |
| | Level | 5 | | | dBm | |
| | Harmonics Suppression | | | -30 | dBc | |
| | Spurious Suppression | | | -60 | dBc | |
| | Load | 50 | | | Ω | |
| Frequency Stabilities | Frequency Tolerance vs. Operating Temperature Range | -0.1 | | +0.1 | $\times 10^{-6}$ | T_A varied from -40°C to 85°C , measurement referenced to frequency observed with $T_A=25^{\circ}\text{C}$, $V_{cc}=3.3\text{V}$, $O_{load}=50\Omega$, temperature variable speed less than 2°C per minute. |
| | Initial Frequency Tolerance | -1.0 | | +1.0 | $\times 10^{-6}$ | Measurement referenced to frequency observed with $T_A=25^{\circ}\text{C}$, $V_{cc}=3.3\text{V}$ within 30 days after ex-works. |
| | Frequency Tolerance vs. Supply Voltage | -0.05 | | +0.05 | $\times 10^{-6}$ | measurement referenced to frequency observed $T_A=25^{\circ}\text{C}$, V_{cc} varied from 3.13V to 3.47V, and $O_{Load}=50\Omega$. |
| | Frequency Tolerance vs. Load | -0.05 | | +0.05 | $\times 10^{-6}$ | 5% load change measurement referenced to frequency observed with $T_A=25^{\circ}\text{C}$, $V_{cc}=3.3\text{V}$, $O_{Load}=50\Omega$. |
| | Aging Tolerance Per Day | -0.02 | | +0.02 | $\times 10^{-6}$ | $T_A=25^{\circ}\text{C}$, $V_{cc}=3.3\text{V}$, and after 1h of operation. |
| | Aging Tolerance 1 Year | -1.0 | | +1.0 | $\times 10^{-6}$ | |
| Power Supply | Current Consumption | | | 15 | mA | @ 25°C , $V_{cc}=3.3\text{V}$, $O_{load}=50\Omega$. |
| | Supply Voltage | 3.13 | 3.3 | 3.47 | V | |
| Phase Noise | Phase Noise | | -125 | -120 | dBc/Hz | 1KHz |



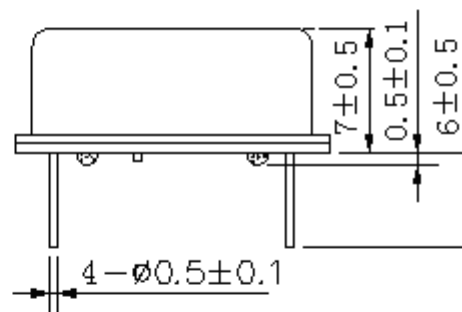
| | | | | | | |
|--------------------------|--|---|--|------|----|--|
| Environmental Conditions | Operable Temperature | -40 | | +85 | °C | |
| | Storage Temperature | -55 | | +105 | °C | |
| | ESD Level | Human Body Model,class2: 2000V to 4000V; ANSI/ESDA/JEDEC JS-001-2010. | | | | |
| | | Machine Model, class B: 200V to 400V; ANSI/ESDA/JEDEC JS-001-2010. | | | | |
| | Moisture Sensitivity Level | Not humidity sensitive. | | | | |
| | Vibration | Test Condition: 0.75mm ;acceleration:10g;10Hz~2000Hz, one cycle per 30 min, test 2 hour. (3 times for each 3 directions X ,Y , Z).IEC 68-2-06 Test Fc. | | | | |
| Shock | 100g; 6ms; half sine wave (3 times for each 3 directions X ,Y, Z),IEC 68-2-27 Test Ea/Severity 50A. | | | | | |
| Full Package Storage | Relative humidity (%) | 20% ~70% | | | | |
| | Temperature (°C) | -10~35°C | | | | |



2. Mechanical Structure(mm)



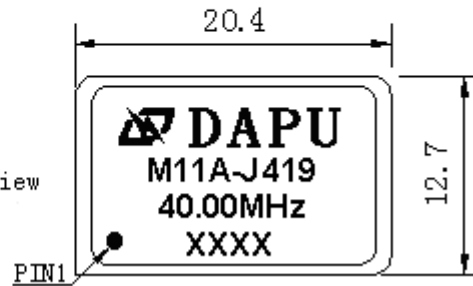
Side view



PIN FUNCTION

| PIN | NOTATION | FUNCTION |
|-----|----------|----------------|
| 1 | NC | Not Connect |
| 7 | GND | GND |
| 8 | OUTPUT | RF Output |
| 14 | VCC | Supply Voltage |

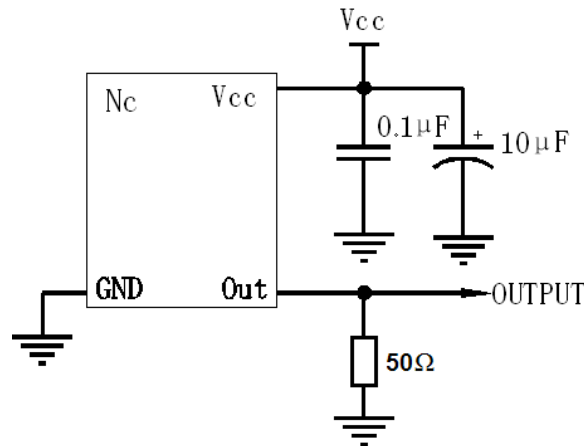
Top view



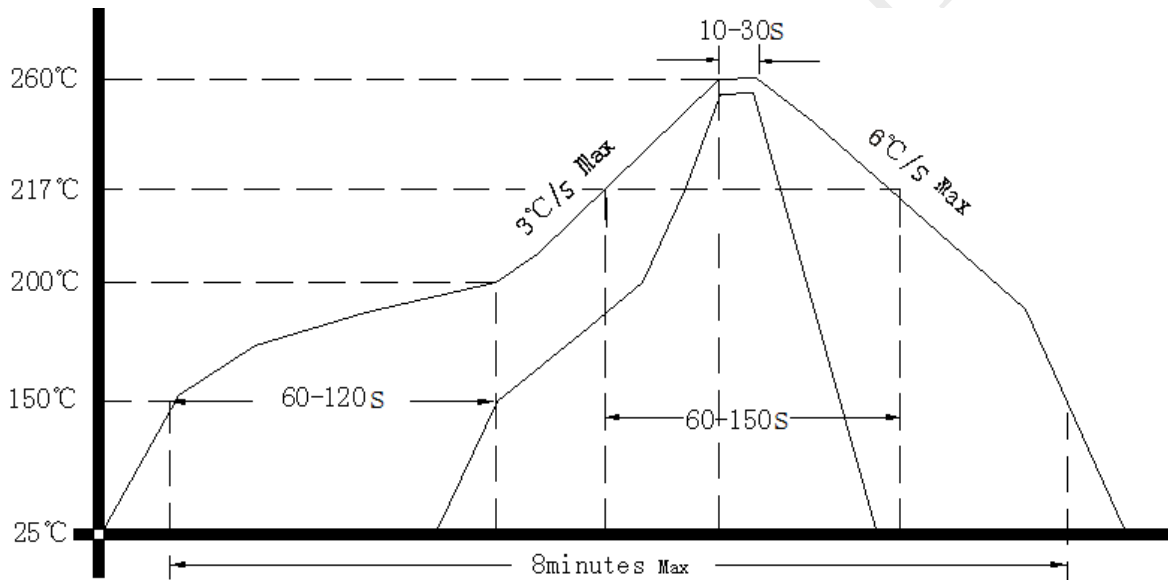
- Note1:** Tolerance $\pm 0.20\text{mm}$ without mark
- Note2:** The first two xx representative: week
After two xx representative: year
- Note3:** Referential weight 4.2g
- Note4:** NC is not connect



3. Test circuit



4. Reflow Soldering Curve (RoHS)



5. Package: PVC Tube,10pcs (mm)

