

Customer Code : _____

DATASHEET

DAPU P/N: **T75A-RCAN-20.00MHz**

Customer P/N: _____

DAPU			Customer Approval
Drew	Audited	Approved	Stamp, please! Thanks!
Date: 2015.11.20			

Guangdong Dapu Telecom Technology Co.,Ltd

Bldg16,,N.Ind.Zone,SSL Industry Park, Dongguan City, Guangdong Province, China

TEL: 0086-0769-88010888 FAX: 0086-0769-81800098



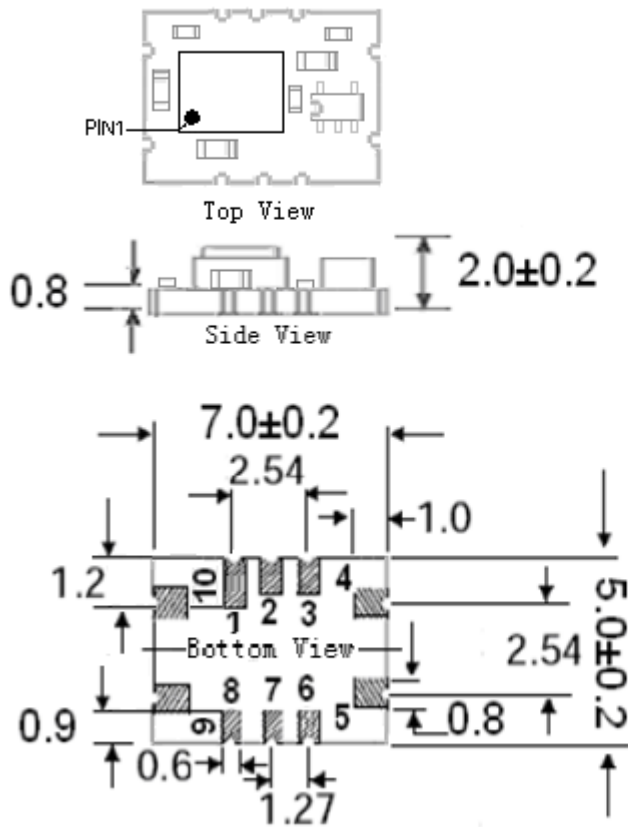
1、Electrical Parameters

MODEL: T75A-RCAN-20.00MHz						
Item	Description	Parameters			Unit	Test Condition
		Min.	Typ.	Max.		
Output	Frequency	20.00			MHz	
	Output Waveform	LVCMOS				
	Output Low Voltage			+0.4	V	V _{cc} =3.3V, O _{load} =15pF
	Output High Voltage	+2.7			V	V _{cc} =3.3V, O _{load} =15pF
	Duty Cycle	45	50	55	%	@50%
	Rise / Fall Time (10%~90%)		7	8	ns	@25°C
	Load		15		pF	
Frequency Stabilities	Frequency Tolerance vs. Operating Temperature Range	-0.28		+0.28	ppm	T _A varied from -5°C to 80°C, measurement referenced to frequency observed with T _A =25°C, V _{cc} =3.3V, O _{load} =15pF
	Accuracy Calibration	-4.6		+4.6	ppm	@25°C Temperature -5°C to 80°C, Load:15pF±5%, Reflow Soldering and Ageing 20 years
	Frequency Tolerance vs. Load	-0.3		+0.3	ppm	5% load change measurement referenced to frequency observed with T _A =25°C, V _{cc} =3.3V, O _{load} =15pF
	Aging Tolerance Per Day	-0.02		+0.02	ppm	V _{cc} , T _A constant measurement referenced to frequency observed with T _A =25°C, V _{cc} =3.3V, and after 30 days of operation
	Aging Tolerance 1 Year	-1		+1	ppm	
Power Supply	Current Consumption		4		mA	@25°C, V _{cc} =3.3V, O _{load} =15pF
	Supply Voltage		+3.3		V	unalterable
Phase Noise	Phase Noise		-85		dBc/Hz	10Hz
			-110			100Hz
			-130			1KHz
			-140			10KHz
Environmental Conditions	Operable Temperature	-40		+85	°C	
	Storage Temperature	-55		+125	°C	



	Vibration	0.75mm ;acceleration:10g;10Hz~2000Hz, one cycle per 30 min, test 2 hour. (3 times for each 3 directions X ,Y , Z)
	Shock	100g;6ms;half sine wave (3 times for each 3 directions X ,Y , Z),IEC 68-2-27 Test Ea/Severity 50A
	Drop	free drop on steel-made surface or rigid, plane from a height of 100cm, IEC 68-2-32

2、 Mechanical Structure(mm)



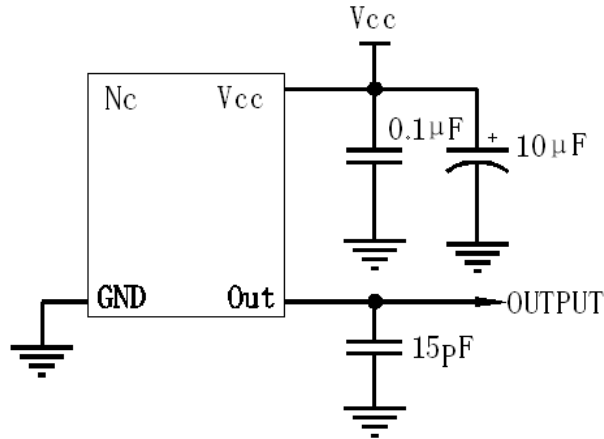
Pad Connections

- 1 N/C
- 2.N/C
- 3.N/C
- 4.GND
- 5.Output
- 6.N/C
- 7.N/C
- 8.N/C
- 9. +Vdd
- 10. N/C OR GND

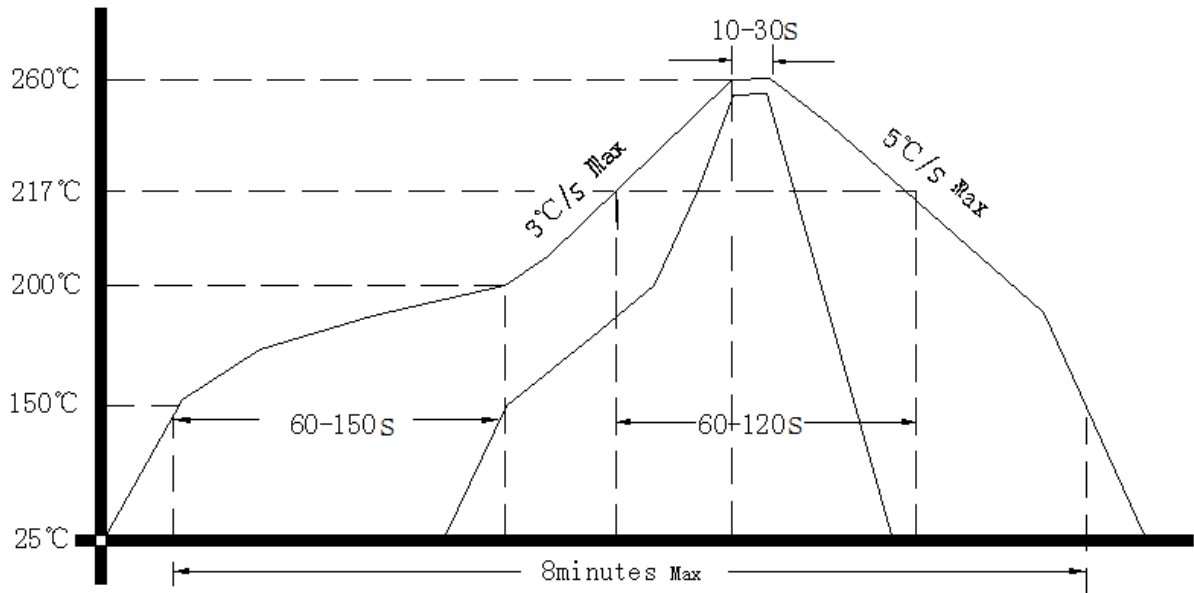
Note1: Referential Weight 0.3g



3、 Test Circuit



4、 Reflow Soldering Curve (RoHS)



5、 Package: Tape & Reel (mm)

