

Travelling Merchant: _____

DATASHEET

Standard: DP7M37056001

Plot			The Label
Drew	Audited	Approved	Stamp, please! Thanks!
Date: 2012.12.19			

Guangdong Dapu Telecom Technology Co.,Ltd

Bldg13-16,.N.Ind.Zone,SSL Industry Park, Dongguan City, Guangdong Province, China

TEL: 0086-0769-88010888 FAX: 0086-0769-81800098

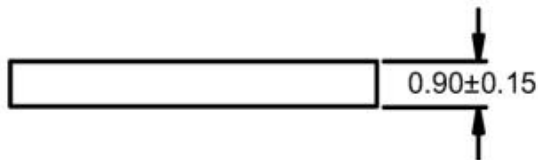
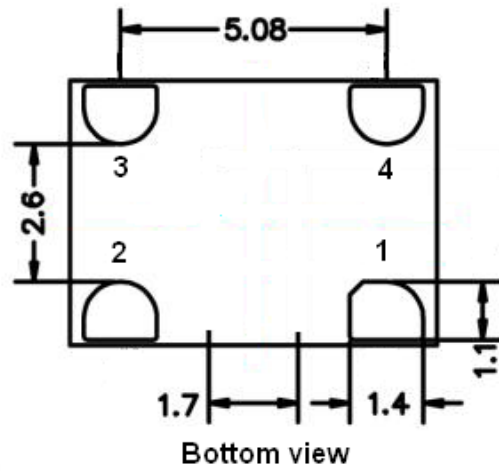


1、Electrical Parameters

MODEL: DP7M37056001							
No.	Parameters	SYM.	Electrical Spec.				Notes
			Min.	Typ.	Max.	Units	
1	Nominal Frequency	FL	37.056			MHz	
2	Frequency Stability	-	-10		+10	$\times 10^{-6}$	
3	Operating Temperature	Topr	-40	-	85	$^{\circ}\text{C}$	
4	Storage Temperature	Tstg	-55	-	125	$^{\circ}\text{C}$	
5	Supply Voltage	VDD	2.97	3.30	3.63	V	
6	Input Current	Icc	-	-	33	mA	
7	Output Load: CMOS	CL	15			pF	
8	Output Voltage High	VoH	90% Vdd	-	-	V	
9	Output Voltage Low	Vol	-	-	10% Vdd	V	
10	Rise Time	Tr	-	1.5	5	ns	10%-90% VDD Level
11	Fall Time	Tf	-	1.5	5	ns	90%-10% VDD Level
12	Output Voltage High	VIH	70%	-	-	Vdd	Pin 1,OE
13	Output Voltage Low	Vol	-	-	30%	Vdd	Pin 1,OE
14	Symmetry (Duty ratio)	TH/T	45	~	55	%	
15	Start-up Time	Tosc	-	-	10	ms	
16	Aging	-	-1.0		1.0	$\times 10^{-6}$	1st. Year at 25 $^{\circ}\text{C}$
17	Drop Test	75 cm height,3 times on concrete floor .					JIS C6701
19	Mechanical Shock	Device are shocked to half sine wave (1000 G) three mutually. perpendicular axes each 3 times. 0.5m sec. duration time					MIL-STD-202F
19	Vibration	Frequency range 10 ~ 2000 Hz Amplitude 1.52 mm/20G Sweep time 20 minutes perpendicular axes each test time 4 hours (Total test time 12 hours)					MIL-STD-883E



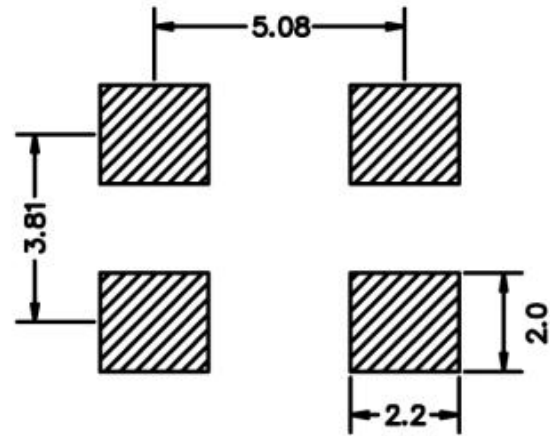
2、Mechanical Structure(mm)



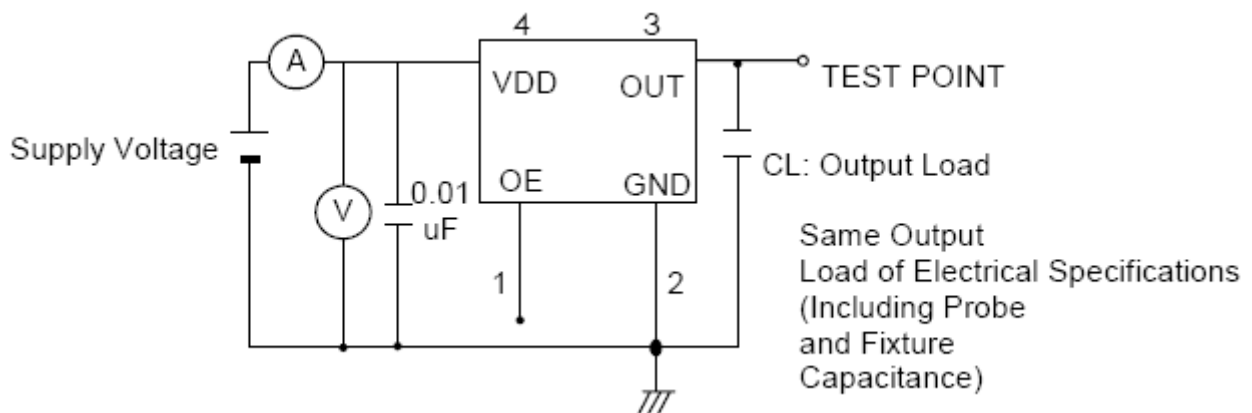
PIN FUNCTION

PIN	FUNCTION
1	OE
2	GND
3	OUTPUT
4	VDD

Note 1:Tolerance ±0.2mm without mark



3、Test Diagram



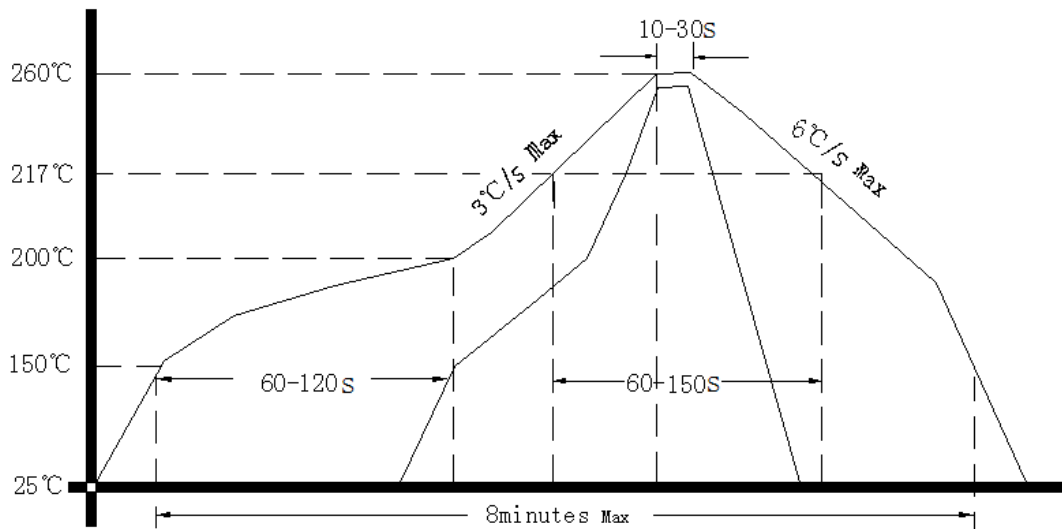
Control input (output enable/disable)

Logic 1 or open on pad 1: Oscillator output

Logic 0 on pad 1 : Disable output to high impedance



4、 Reflow Soldering Curve (RoHS)



5、 Package: Tape & Reel (mm)

