

Travelling Merchant: \_\_\_\_\_

# DATASHEET

Standard:     **O23B-ECBD-10.00MHz-A**    

Plot			The Label
Drawing	Auditing	Approve	Stamp, please! Thanks!
Date: _____			

**Guangdong Dapu Telecom Technology Co.,Ltd**

No.1 New City Street,Songshan Lake Science Park, Dongguan City,Guangdong province, PR Chian

TEL: 0086-0769-88010888 FAX: 0086-0769-81800098



## The parameter of product

### MODEL: Q23B-ECBD-10.00MHz -A

#### 1. Output

1.1. Frequency	10.00MHz
1.2. Output level	LVTTL
1.3. Duty cycle	45%~55%
1.4. Rise/Fall time (10%~90%)	≤6ns
1.5. Load	15pF

#### 2. Frequency Stability

2.1. Temperature stability	≤±3.0x10 <sup>-9</sup>	@-10°C ~ +70°C, ref. to +25 °C
2.2.Short-time frequency stability	≤±1.5x10 <sup>-11</sup> /S	@after 1 hour
2.3. Stability vs. power supply	≤±5.0x10 <sup>-10</sup>	@ +5.0V±5%
2.4. Stability vs. load	≤±5.0x10 <sup>-10</sup>	@15pF±5%
2.5.Initial frequency	≤±5.0x10 <sup>-8</sup>	@ after power on 30 minutes, 25°C, at control voltage ,at 2.5V(after retrace)
2.6. Warm up time with accuracy	≤±1.0x10 <sup>-8</sup> /8min	power on at 25°C
2.7. Daily fluctation	≤±3.6x10 <sup>-9</sup>	
2.8. Retrace after 24 hour off	≤±1.0x10 <sup>-8</sup> /30min	power on at 25°C

#### 3. Frequency Stability versus Operating Conditions after 30 days of continuous

3.1. Aging	≤±3.0x10 <sup>-10</sup> / day
	≤±5.0x10 <sup>-8</sup> / first year
	≤±3.0x10 <sup>-7</sup> / 10year
	≤±4.0x10 <sup>-7</sup> / 15year

#### 4. Power Supply

4.1. Voltage	+5.0VDC±5%
4.2. Warm up	≤1000mA
4.3. Steady	≤480mA @25°C

#### 5. Electrical frequency adjustment

5.1. Control voltage	0~5VDC
5.2. Frequency adjustment	±0.4~±0.8ppm
5.3. Slope	Positive
5.4. Linearity	≤10%

#### 6. Phase noise (Typical)

6.1. 1 Hz	-90dBc/Hz
6.2. 10Hz	-120dBc/Hz
6.3. 100Hz	-135dBc/Hz



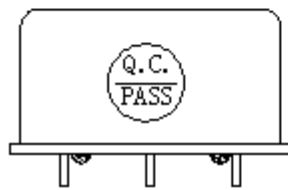
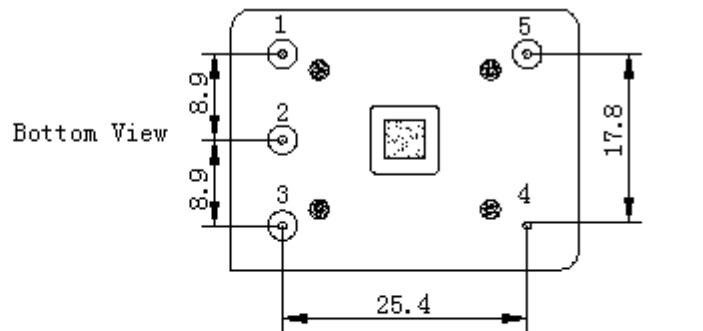
- 6.4. 1 KHz -145dBc/Hz
- 6.5. 10KHz -150dBc/Hz
- 6.6. 100KHz -150dBc/Hz

7. Temperature

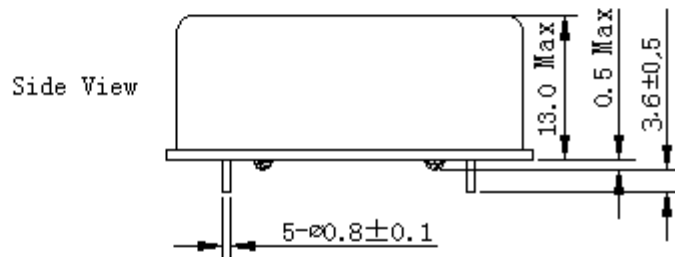
- 7.1. Operation temperature -10°C to +70°C
- 7.2. Store temperature -55°C to +85°C

8. Figure

See the picture



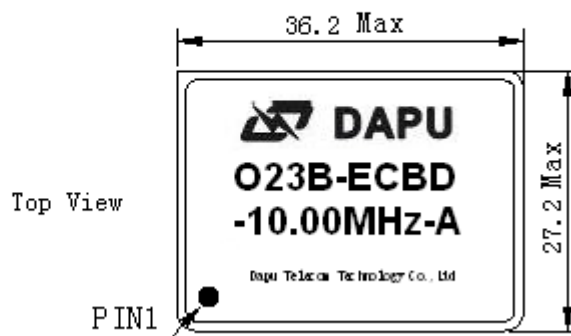
Right View



Side View

PIN FUNCTION

PIN	FUNCTION
1	VCC
2	Vref
3	VC
4	GND
5	OUTPUT



Top View

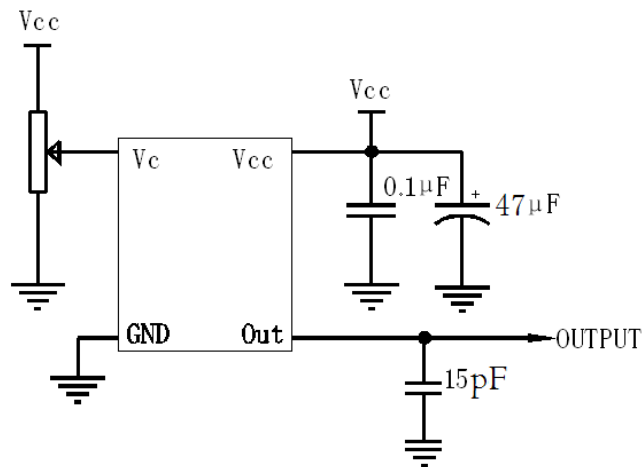
\*Tolerance ±0.2mm without mark

Note: The bottom view means that the stitches are against the people

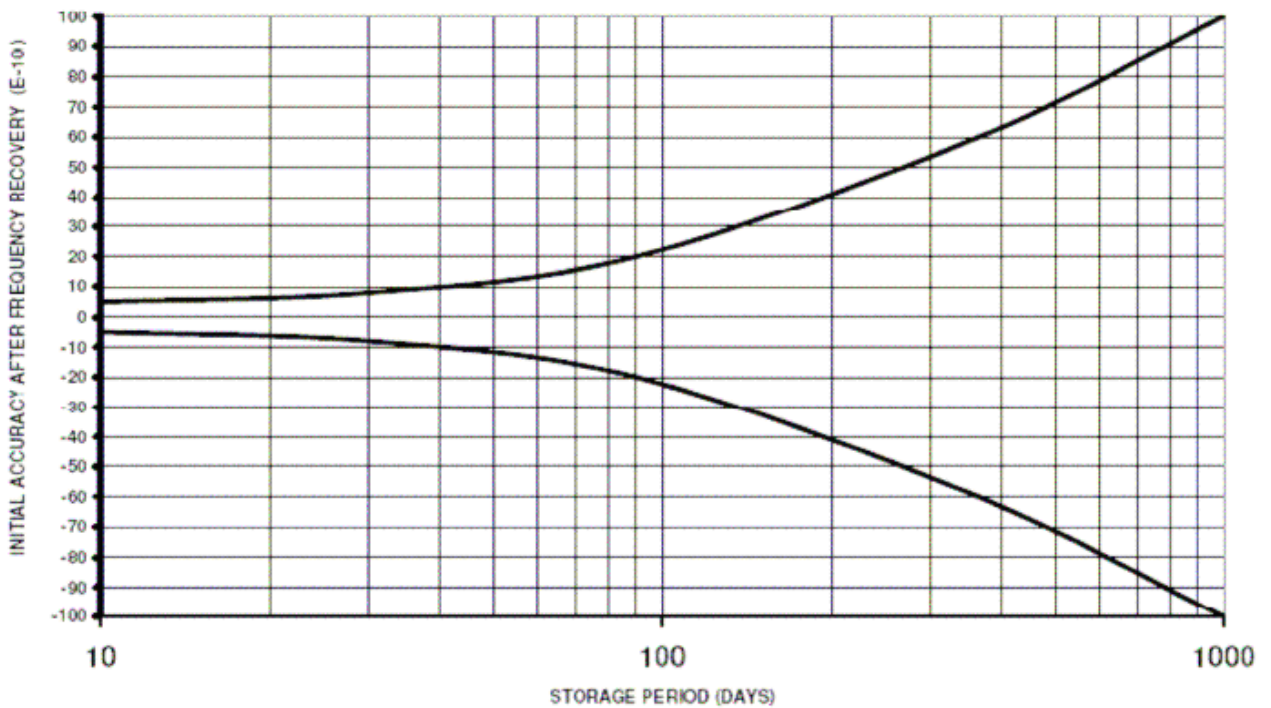
Unit : mm



9. Test circuit



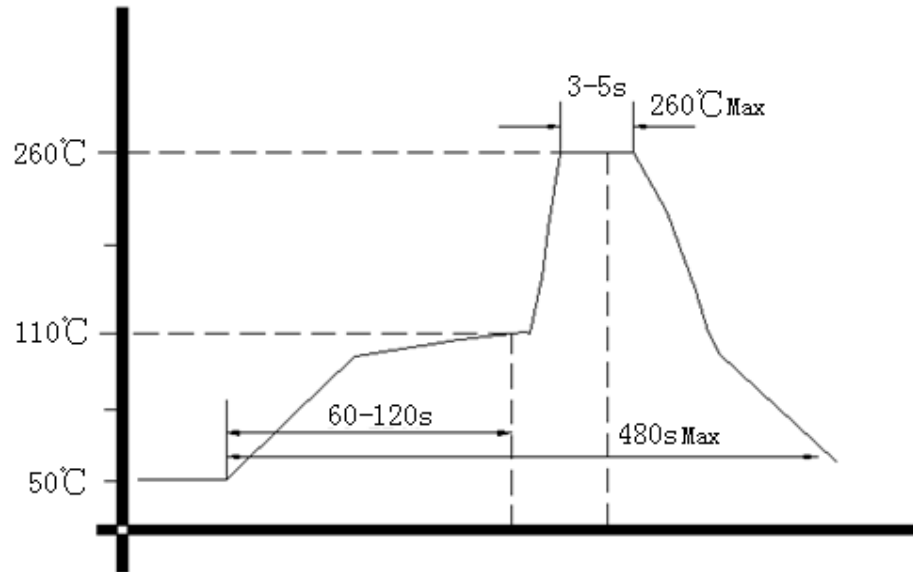
10. Initial accuracy at IQC after frequency recovery



Note : Initial accuracy with time of storage and retrace measured at 25 °C after frequency recovery time



11. Wave Soldering Curve (RoHS)



12. Package: PVC Tube,8pcs (mm)

