

Travelling Merchant: _____

DATASHEET

Standard: **O23B-HCDD-10.00MHz**

Plot			The Label
Drawing	Auditing	Approve	Stamp, please! Thanks!
Date:			

Guangdong Telecom Technology Co.,Ltd

No.1 New City Street,Songshan Lake Science Park, Dongguan City,Guangdong province, PRC Chian

TEL: 0086-0769-88010888 FAX: 0086-0769-81800098



The parameter of product

MODEL: Q23B-HCDD-10.00MHz

1. Output

1.1. Frequency	10.00MHz
1.2. Output level	LVTTL
1.3. Duty cycle	45%~55%
1.4. Rise/Fall time (10%~90%)	≤6ns
1.5. Load	15pF±5%
1.6.Spurious	≤-60dBc

2. Frequency Stability

2.1. Temperature stability	≤±3.0×10 ⁻⁹	@-30℃ ~ +70℃ , after 48 hour ref. to 25℃
2.2. Short-time frequency stability(Typical)	1.5×10 ⁻¹¹ /S	@Temperature stability, no EMI\EMC or other interference, test after turn on 1 hour, ref. to 25℃, 1s
2.3. Stability vs. power supply	≤±1.0×10 ⁻⁹	@ +12.0V±5%
2.4. Stability vs. load	≤±1.0×10 ⁻⁹	@15pF±5%
2.5.Initial frequency	≤±1.0×10 ⁻⁷	@ Leave factory within 30 days, after power on 30 minutes, 25℃, at control voltage ,at 2.5V(after retrace),
2.6. Aging	≤±5.0×10 ⁻¹⁰ / day	@ after 30 days
	≤±3.0×10 ⁻⁸ / year	

3. Power Supply

3.1. Voltage	+12.0Vdc±5%
3.2. Warm up	≤600mA
3.3. Steady	≤200mA @25℃

4. Electrical frequency adjustment

4.1. Control voltage	0Vdc~5Vdc
4.2. Frequency adjustment	±0.5~±0.7ppm
4.3. Slope	Positive
4.4. Linearity	≤10%

5. Phase noise(Typical)

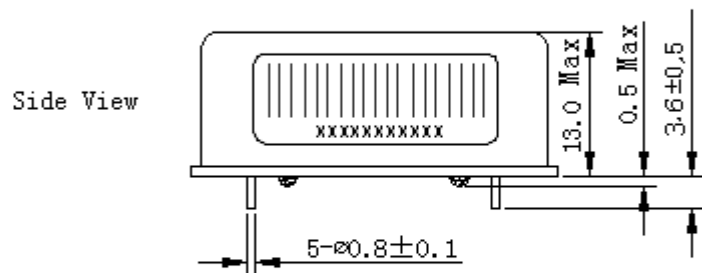
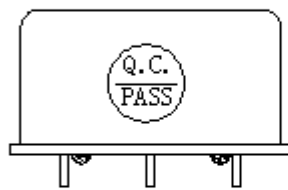
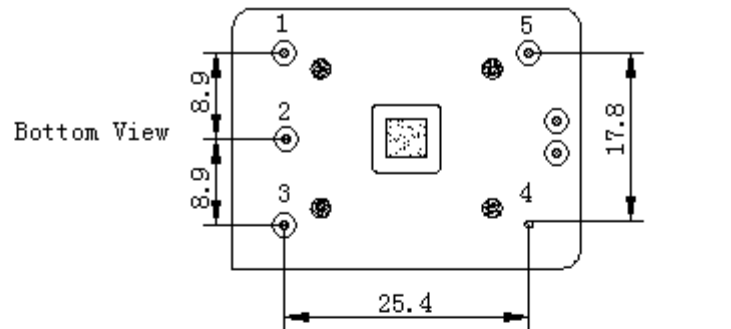
5.1. 10Hz	-115dBc/Hz
5.2. 100Hz	-135dBc/Hz
5.3. 1 KHz	-148dBc/Hz
5.4. 1 0KHz	-152dBc/Hz
5.5. 1 00KHz	-155dBc/Hz

6. Environmental conditions

6.1. Operation temperature	-30℃ ~ +70℃
6.2. Store temperature	-45℃ ~ +85℃

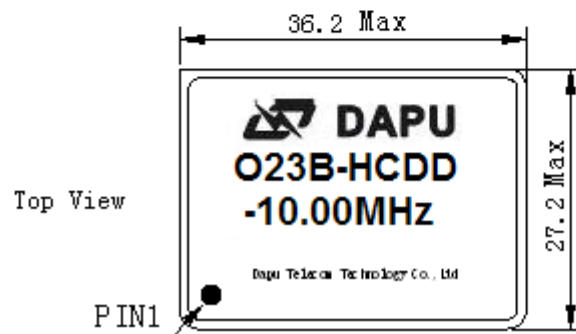


7. Mechanical



PIN FUNCTION

PIN	FUNCTION
1	VCC
2	NC
3	VC
4	GND
5	OUTPUT

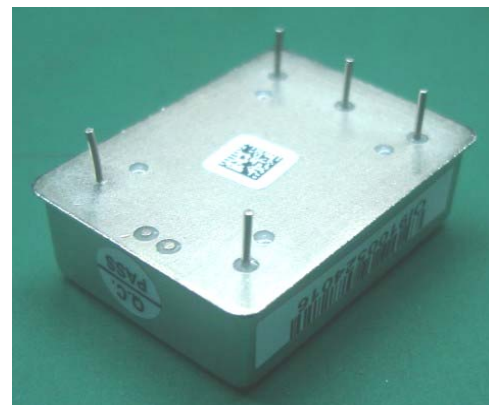


*Tolerance ±0.2mm without mark

Note: Referential Weight 21.0g

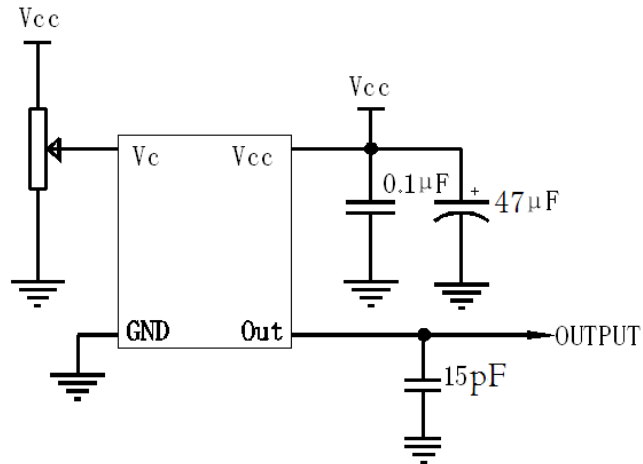
Unit : mm

8. Product Appearance

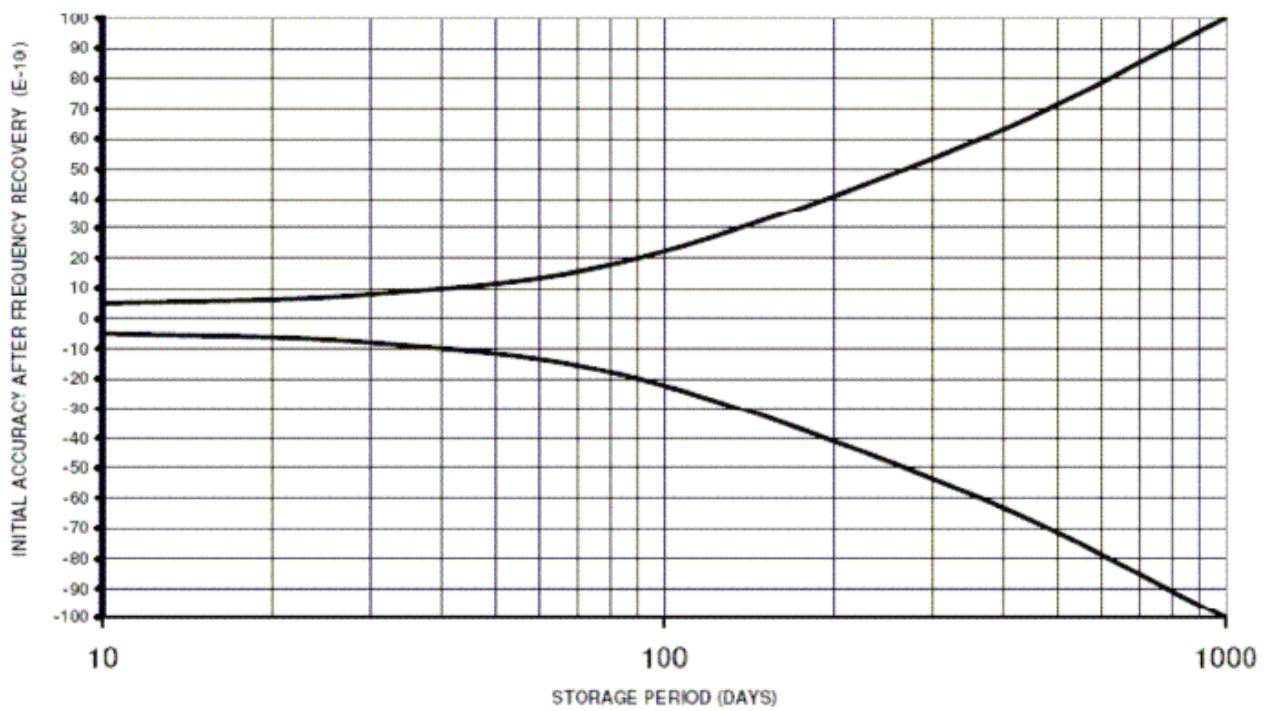




9. Test Circuit



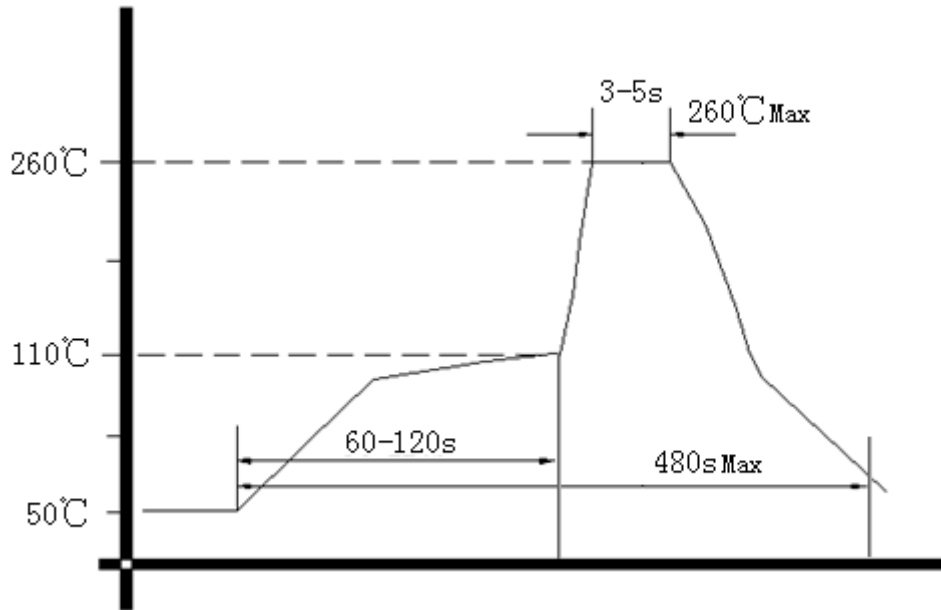
10. Initial accuracy at IQC after frequency recovery



Note : Initial accuracy with time of storage and retrace measured at 25 °C after frequency recovery time



11. Wave Soldering Curve (RoHS)



12. Package: PVC Tube, 5pcs (mm)

