

Travelling Merchant: _____

DATASHEET

Standard: **O23B-F328-50.00MHz**

P/N: _____

Plot			The Label
Drew	Audited	Approved	Stamp, please! Thanks!
Date: 2014.09.24			

Guangdong Dapu Telecom Technology Co.,Ltd

Bldg13-16,.N.Ind.Zone,SSL Industry Park, Dongguan City, Guangdong Province, China

TEL: 0086-0769-88010888 FAX: 0086-0769-81800098



1、Electrical Parameters

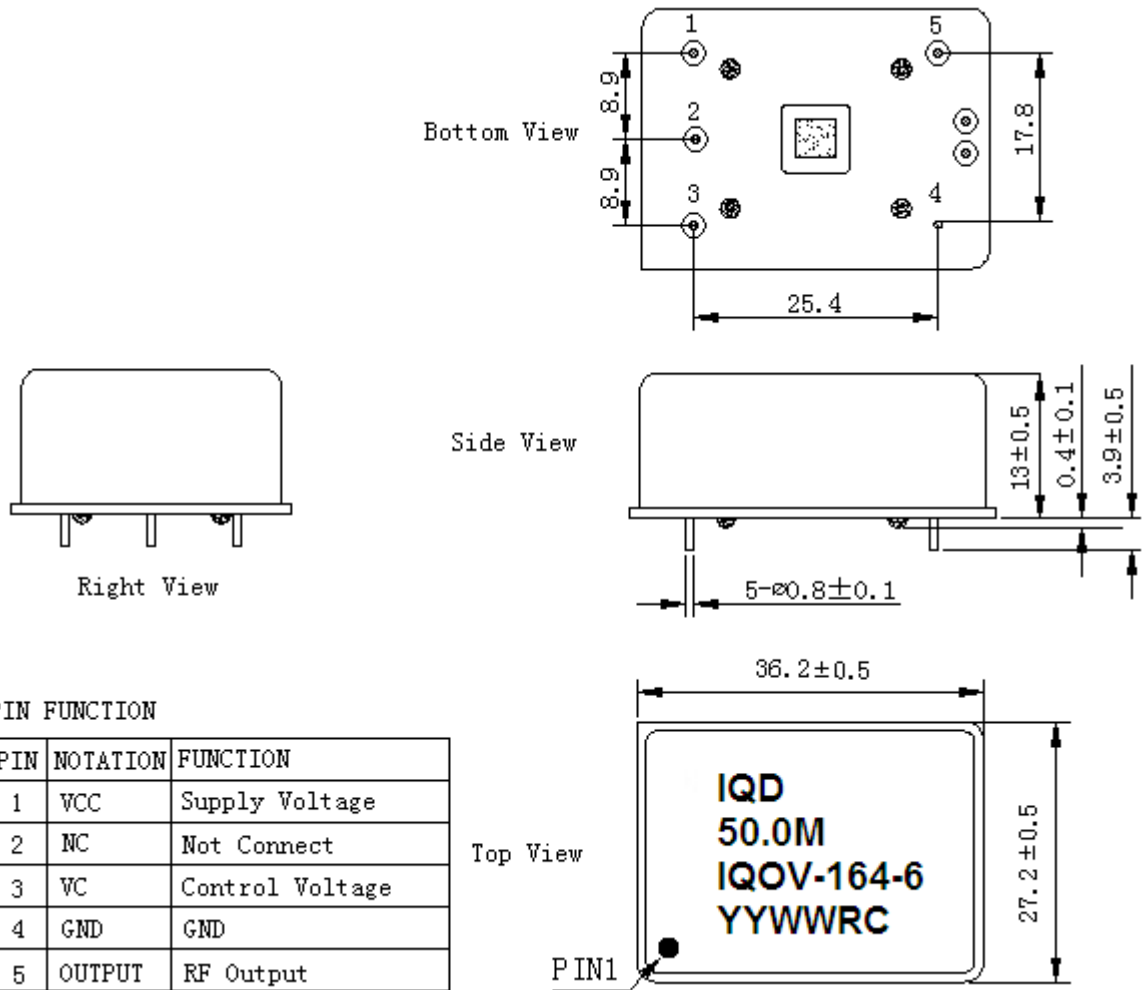
MODEL: O23B-F328-50.00MHz						
Item	Description	Parameters			Unit	Test Condition
		Min.	Typ.	Max.		
Output	Frequency	50.00			MHz	
	Output Waveform	HCMOS				
	Output Low Voltage			+0.4	V	V _{cc} =5.0V, O _{load} =15pF
	Output High Voltage	+3.2			V	V _{cc} =5.0V, O _{load} =15pF
	Duty Cycle	45	50	55	%	@50%
	Rise / Fall Time			5	ns	10%~90%
	Load	15			pF	
Frequency Stabilities	Frequency Tolerance vs. Operating Temperature Range	-0.5		+0.5	ppb	T _A varied from -20°C to 70°C, measurement referenced to frequency observed with T _A = 25°C, V _{cc} =5.0V, V _C =2.5V, O _{load} =15pF temperature rise speed less than 2°C per minute.
	Initial Frequency Tolerance	-0.1		+0.1	ppm	Measurement referenced to frequency observed with T _A =25°C, V _{cc} =5.0V, V _C =2.5V and after 15 minutes of operation, within 30 days after ex-works.
	Frequency Tolerance vs. Supply Voltage	-0.5		+0.5	ppb	measurement referenced to frequency observed T _A =25°C, V _{cc} varied from 4.75V to 5.25V, V _C =2.5V.
	Frequency Tolerance vs. Load	-0.5		+0.5	ppb	5% load change measurement referenced to frequency observed with T _A = 25°C, V _{cc} =5.0V, V _C =2.5V and O _{Load} =15pF .
	Short-Term Stability: Allan Variance			0.02	ppb	Temperature stability, no EMI\EMC or other interference, test after power for 1hour ref. to 25°C; 1s , using PN9000 equipment.
	Aging Tolerance Per Day	-1		+1	ppb	V _{cc} , V _C , T _A constant measurement referenced to frequency observed with T _A = 25°C, V _{cc} = 5.0V, V _C =2.5V, and after 30 days of operation.
	Aging Tolerance 1 Year	-0.05		+0.05	ppm	
Power Supply	Supply Voltage	4.75	5	5.25	V	
	Current Consumption			450	mA	@25°C
	Current Consumption during warm up			1000	mA	



Voltage Control Characteristics	Frequency Tuning Range	-1.2		-0.7	ppm	$V_C=0V$. measurement referenced to $V_C=2.5V$
		-0.1		+0.1	ppm	$V_C=2.5V$. measurement referenced to exactly 50.00MHz
		+0.7		+1.2	ppm	$V_C=5.0V$. measurement referenced to $V_C=2.5V$
	Linearity			10	%	
	Slope	Positive				
	Input Impedance	100				K Ohm
Phase Noise	Phase Noise		-150		dBc/Hz	1KHz
			-155			10KHz
Environmental Conditions	Operable Temperature	-20		+70	°C	
	Storage Temperature	-40		+85	°C	
	Vibration	Test Condition: 0.75mm ;acceleration:10g;10Hz~500Hz, one cycle per 30 min, test 2 hour. (3 times for each 3 directions X ,Y , Z), IEC 68-2-06 Test Fc.				
	Shock	50g; 11ms; half sine wave (3 times for each 3 directions X ,Y, Z),IEC 68-2-27 Test Ea/Severity 50A.				



2、 Mechanical Structure(mm)



Note1: Tolerance ±0.2mm without mark

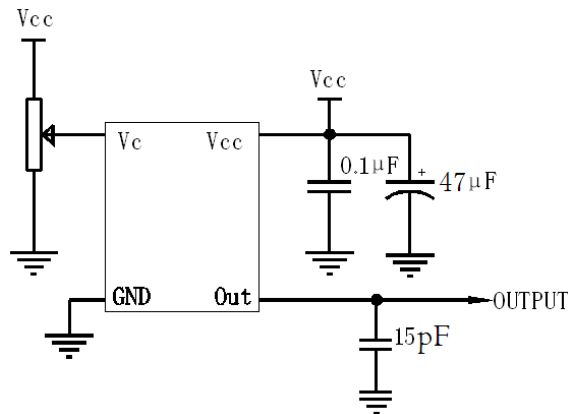
Note2: The YY representative: year
The WW representative: week

Note3: Referential Weight 20.7g

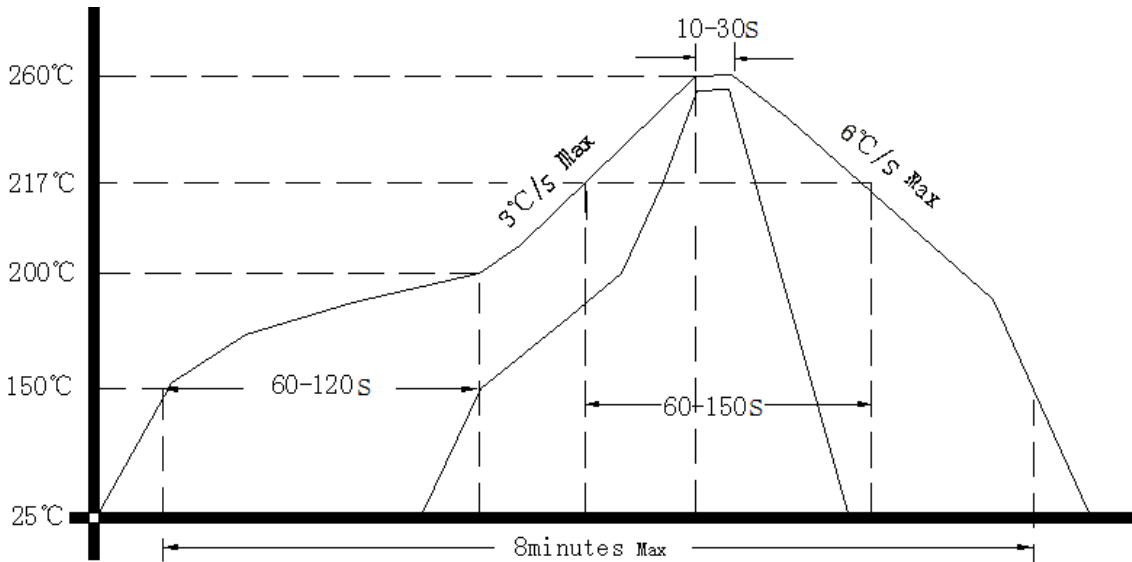
Note4: NC is not connect



3、 Test Circuit



4、 Reflow Soldering Curve (RoHS)



5、 Package (mm)

