

Customer Code : \_\_\_\_\_

# DATASHEET

DAPU P/N: **T32-V569-16.368MHz-A**  
**(X32FBYM163681)**

Customer P/N: \_\_\_\_\_

DAPU			Customer Approval
Drew	Audited	Approved	Stamp, please! Thanks!
Date: 2015.10.23			

## Guangdong Dapu Telecom Technology Co.,Ltd

Bldg16,.N.Ind.Zone,SSL Industry Park, Dongguan City, Guangdong Province, China

TEL: 0086-0769-88010888 FAX: 0086-0769-81800098





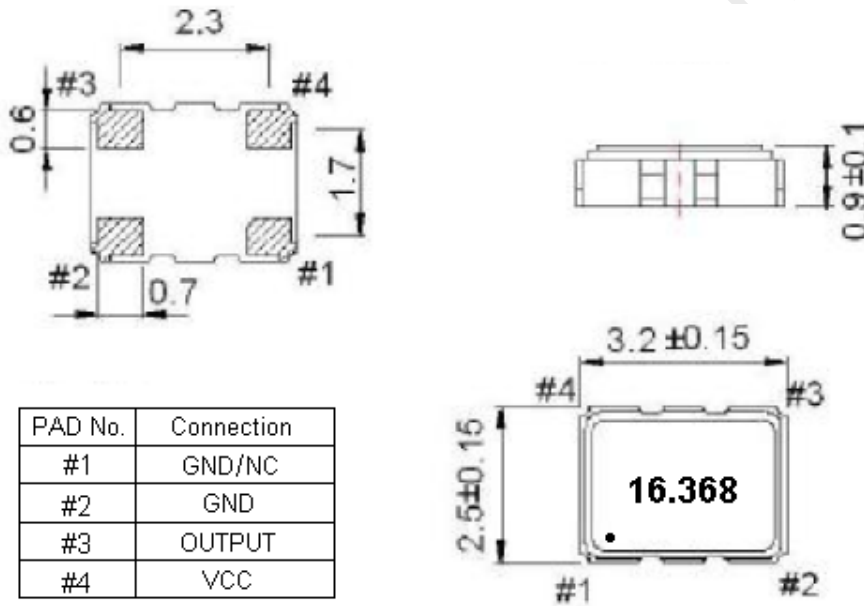
## 1. Electrical Parameters

MODEL: T32-V569-16.368MHz-A						
Item	Description	Parameters			Unit	Test Condition
		Min.	Typ.	Max.		
Output	Frequency	16.368			MHz	
	Output Waveform	Clipped Sine Wave				
	Vp-p	0.8		2.0	V	
	Load	10KΩ//10pF				
	Start Time			2	ms	
Frequency Stabilities	Frequency Tolerance vs. Operating Temperature Range	-1		+1	$\times 10^{-6}$	T <sub>A</sub> varied from -30°C to 85°C, measurement referenced to frequency observed with T <sub>A</sub> =25°C.
	Nominal Frequency Tolerance	-2.0		+2.0	$\times 10^{-6}$	Measurement referenced to frequency observed with T <sub>A</sub> =25°C, 1 hour after 2 times reflow.
	Frequency Tolerance vs. Supply Voltage	-0.2		+0.2	$\times 10^{-6}$	measurement referenced to frequency observed T <sub>A</sub> =25°C, supply voltage varied $\pm 5\%$ .
	Frequency Tolerance vs. Load	-0.2		+0.2	$\times 10^{-6}$	$\pm 10\%$ load change measurement referenced to frequency observed with T <sub>A</sub> =25°C.
	Aging Tolerance 1 Year	-1		+1	$\times 10^{-6}$	First year @25°C
Power Supply	Operating Current			2	mA	At maximum supply voltage .
	Supply Voltage	2.85	3.0	3.15	V	
Phase Noise	Phase Noise @25°C		-92		dBc/Hz	10Hz
			-120			100Hz
			-140			1KHz
			-150			10KHz
			-152			100KHz



Environmental Conditions	Operable Temperature	-30		+85	°C	
	Storage Temperature	-40		+85	°C	
	Vibration	10~2000Hz, 1.52mm, 20g, each axis for 4 hours, MIL-STD-883 2007 Condition A JESD22-B103 Condition 1				
	Thermal Shock	-55°C, 125°C; soak time is 10 mins, with total 200 cycles, MIL-STD-883 1010 Condition B JESD22-A104 Condition B				
	Mechanical Shock	1500G, half-sine, 0.5ms, each axis for 3 times, MIL-STD-883 2002 Condition B JESD22-B104 Condition B				
Full Package Storage	Relative humidity (%)	20% ~70%				
	Temperature (°C)	-10~35°C				

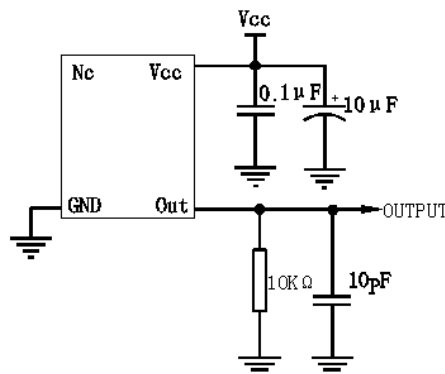
## 2. Mechanical Structure(mm)



**Note1:** Tolerance ±0.1mm without mark

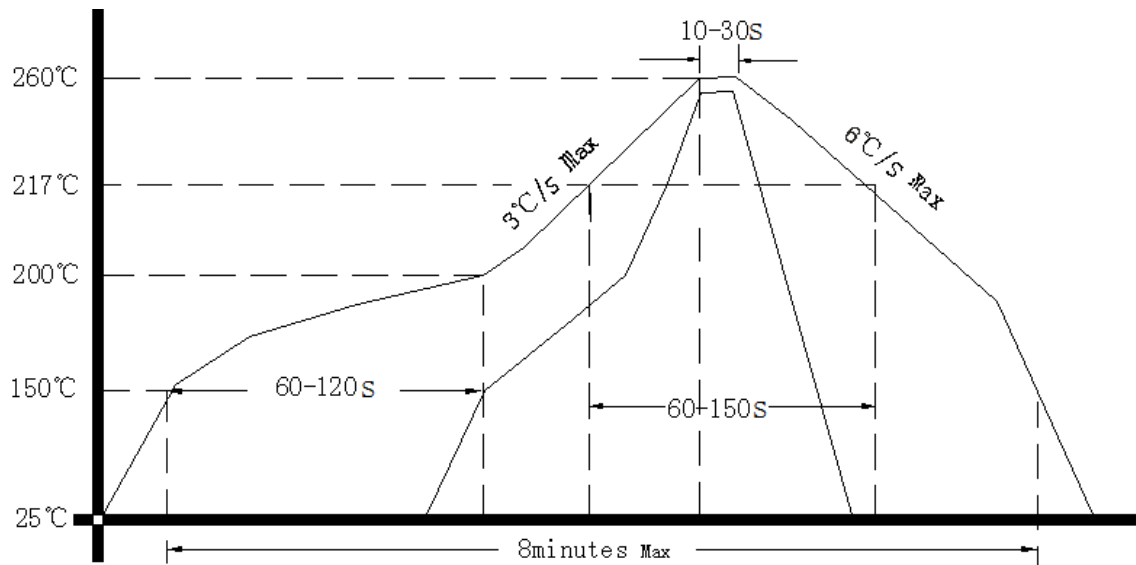
**Note2:** Referential Weight 0.02g

## 3. Test Circuit





#### 4. Reflow Soldering Curve (RoHS)



#### 5. Package: Tape & Reel (mm)

