

Travelling Merchant: _____

DATASHEET

Standard: DP9B10000003

| Plot | | | The Label |
|------------------|---------|----------|------------------------|
| Drew | Audited | Approved | Stamp, please! Thanks! |
| | | | |
| Date: 2013.06.18 | | | |

Guangdong Dapu Telecom Technology Co.,Ltd

Bldg13-16,.N.Ind.Zone,SSL Industry Park, Dongguan City, Guangdong Province, China

TEL: 0086-0769-88010888 FAX: 0086-0769-81800098

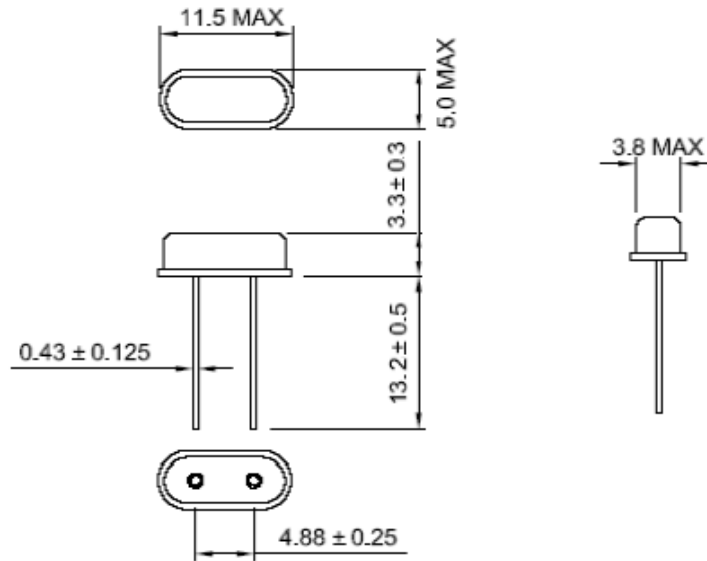


1. Electrical Parameters

| MODEL: DP9B1000003 | | | | | | | |
|--------------------|--------------------------------------|--|------------------|------|------|------------------|---|
| No. | Parameters | SYM. | Electrical Spec. | | | | Notes |
| | | | Min. | Typ. | Max. | Units | |
| 1 | Nominal Frequency | FL | 10.00 | | | MHz | |
| 2 | Oscillation Mode | - | Fundamental | | | - | |
| 3 | Load Capacitance | CL | 15 | | | pF | |
| 4 | Frequency Tolerance | - | -20 | - | +20 | $\times 10^{-6}$ | at 25°C± 2°C |
| 5 | Tolerance over the Temperature Range | - | -20 | - | +20 | $\times 10^{-6}$ | Over Operating Temp. Range (Reference 25°C) |
| 6 | Operating Temperature Range | - | -20 | ~ | +70 | °C | |
| 7 | Storage Temperature | - | -40 | ~ | +85 | °C | |
| 8 | Aging | - | -3 | - | +3 | $\times 10^{-6}$ | 1st Year |
| 9 | Drive Level | DL | - | 100 | - | uW | |
| 10 | Effective Series Resistance | ESR | - | - | 30 | Ω | |
| 11 | Shunt Capacitance C0 | C0 | 1 | - | 5 | pF | |
| 12 | Insulation Resistance | | 500 | | | M Ω | at DC 100V |
| 13 | ESD Level | Human Body Model,class2: 2000V to 4000V; ANSI/ESDA/JEDEC JS-001-2010. | | | | | |
| | | Machine Model, class B: 200V to 400V; ANSI/ESDA/JEDEC JS-001-2010. | | | | | |
| 14 | Moisture Sensitivity Level | Not humidity sensitive. | | | | | |
| 15 | Vibration | Test Condition: 0.75mm ;acceleration:10g;10Hz~2000Hz, one cycle per 30 min, test 2 hour. (3 times for each 3 directions X , Y , Z).IEC 68-2-06 Test Fc. | | | | | |
| 16 | Shock | 100g; 6ms; half sine wave (3 times for each 3 directions X , Y , Z),IEC 68-2-27 Test Ea/Severity 50A. | | | | | |

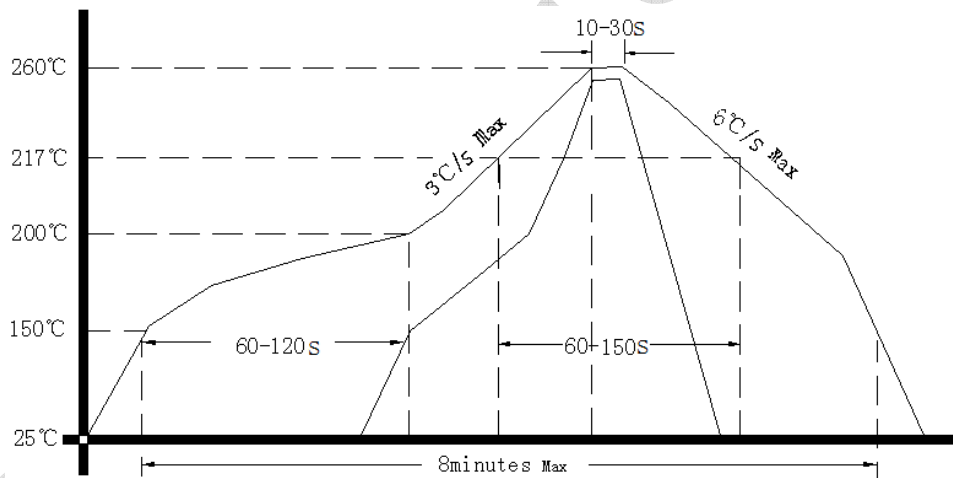


2. Mechanical Structure (mm)



Note1: Tolerance ±0.2mm

3. Reflow Soldering Curve (RoHS)



4. Package

