

Customer Code: \_\_\_\_\_

# DATASHEET

DAPU P/N: DP9C19660003JSX1S1966007

DAPU			Customer Approval
Drew	Audited	Approved	Stamp, please! Thanks!
Date: 2015.05.18			

## Guangdong Dapu Telecom Technology Co.,Ltd

Bldg13-16,.N.Ind.Zone,SSL Industry Park, Dongguan City, Guangdong Province, China

TEL: 0086-0769-88010888 FAX: 0086-0769-81800098



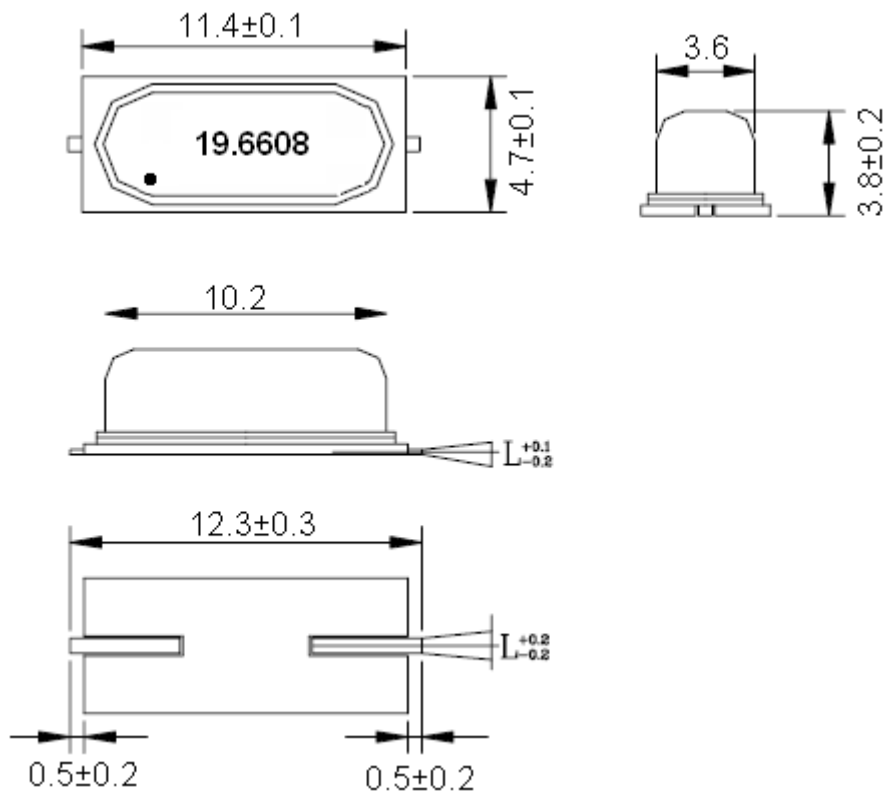


## 1、Electrical Parameters

MODEL: DP9C19660003							
No.	Parameters	SYM.	Electrical Spec.				Notes
			Min.	Typ.	Max.	Units	
1	Nominal Frequency	FL	19.6608			MHz	
2	Oscillation Mode	-	Fundamental			-	
3	Cut	-	AT			-	
4	Load Capacitance	CL	16			pF	
5	Frequency Tolerance	-	-20	~	+20	$\times 10^{-6}$	at 25°C
6	Stability Over Temperature Range	-	-20	~	+20	$\times 10^{-6}$	related to 25°C
7	Operating Temperature Range	-	-20	~	+85	°C	
8	Storage Temperature	-	-40	~	+90	°C	
9	Aging	-	-5	~	+5	$\times 10^{-6}$	1st Year
10	Drive Level	DL	-	100	-	uW	
11	Effective Series Resistance	ESR	-	-	20	$\Omega$	
12	Shunt Capacitance C0	C0	-	-	7	pF	
13	DLD2	-			12	$\Omega$	(0.1~300uW/step:20)
14	FDDL	-			10	$\times 10^{-6}$	(0.1~300uW/step:20)
15	Insulation Resistance		500			M $\Omega$	at DC 100V
16	ESD Level	Human Body Model,class2: 2000V to 4000V; ANSI/ESDA/JEDEC JS-001-2010.					
		Machine Model, class B: 200V to 400V; ANSI/ESDA/JEDEC JS-001-2010.					
17	Moisture Sensitivity Level	Not humidity sensitive.					
18	Vibration	Test Condition: 0.75mm ;acceleration:10g;10Hz~2000Hz, one cycle per 30 min, test 2 hour. (3 times for each 3 directions X ,Y , Z ).IEC 68-2-06 Test Fc.					
19	Shock	100g; 6ms; half sine wave (3 times for each 3 directions X ,Y, Z ),IEC 68-2-27 Test Ea/Severity 50A.					
20	Full Package Storage	Relative humidity (%)		20%~70%			
		Temperature (°C)		-10~35°C			

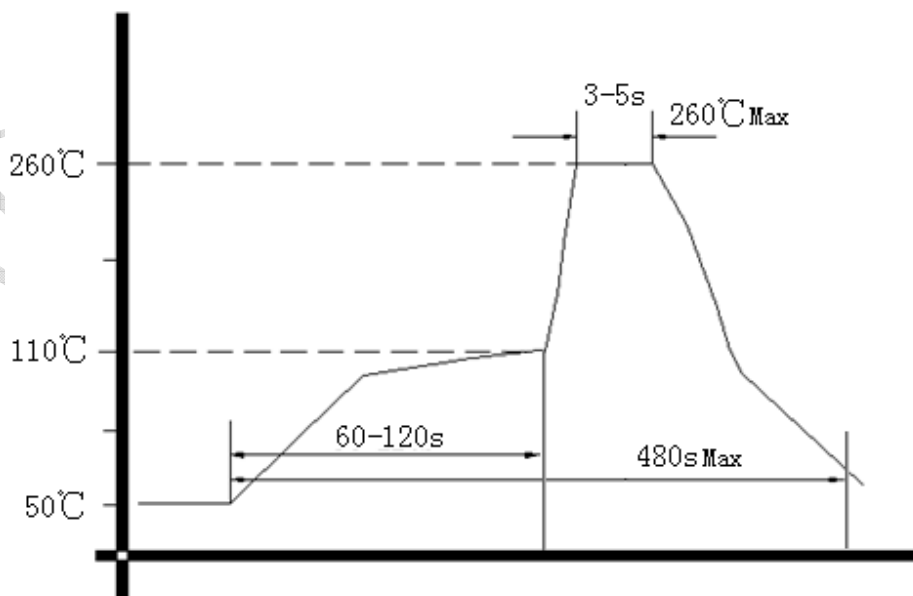


## 2. Mechanical Structure (mm)



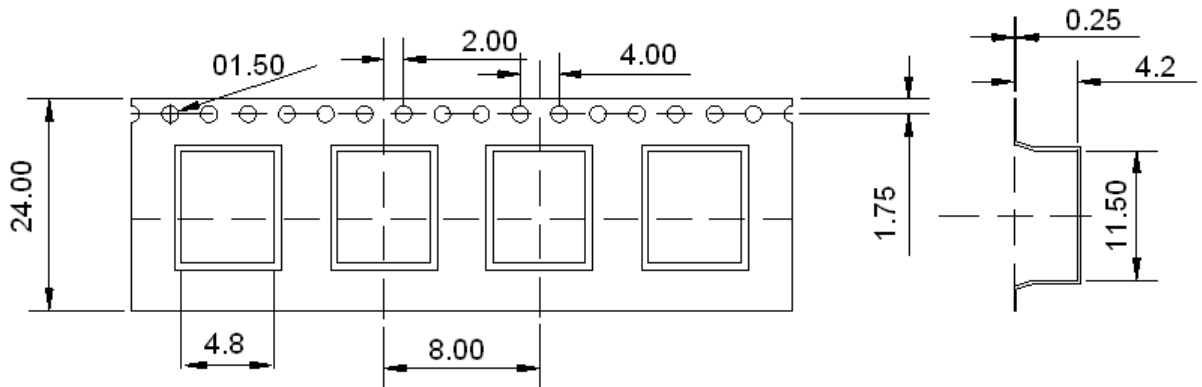
**Note1:** Tolerance  $\pm 0.2$ mm

## 3. Wave Soldering Curve (RoHS)





#### 4.Package



DAPU Confidential