

Travelling Merchant: _____

DATASHEET

Standard: **M11A-BCAC-38.88MHz**

Plot			The Label
Drawing	Auditing	Approve	Stamp, please! Thanks!
Date: 2013.06.18			

Guangdong Dapu Telecom Technology Co.,Ltd

No.1 New City Street,Songshan Lake Science Park, Dongguan City,Guangdong province, PR Chian

TEL: 0086-0769-88010888 FAX: 0086-0769-81800098



The parameter of product

MODEL: M11A-BCAC-38.88MHz

1. Output

1.1. Nominal Frequency	38.88MHz
1.2. Waveform	HCMOS
	$V_{OH} \geq 2.7V$, $V_{OL} \leq 0.4V$
1.3. Duty cycle	45%~55% @50%
1.4. Rise / Fall time (10% ~90%)	$\leq 8ns$
1.5. Load	15pF

2. Frequency Stabilities

2.1. Stability vs. operating temp. rang	$\leq \pm 2.8 \times 10^{-7}$	@0°C ~ +70°C ref. to 25°C
2.2. Initial frequency	$\leq \pm 1.0 \times 10^{-6}$	@25°C
2.3. Stability vs. supply voltage change	$\leq \pm 2.0 \times 10^{-7}$	@3.3Vdc $\pm 5\%$
2.4. Stability vs. Load change	$\leq \pm 1.0 \times 10^{-7}$	@15pF $\pm 5\%$
2.5. Aging	$\leq \pm 2.0 \times 10^{-8}$ / day	
	$\leq \pm 1.0 \times 10^{-6}$ / first year	
	$\leq \pm 3.0 \times 10^{-6}$ / after 10 years	

3. Supply Voltage

3.1. Supply Voltage	+3.3Vdc $\pm 5\%$
---------------------	-------------------

4. Current

4.1. Current consumption	$\leq 15mA$
--------------------------	-------------

5. Phase noise (Typical)

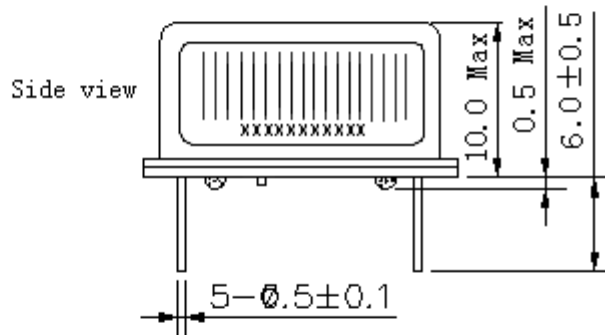
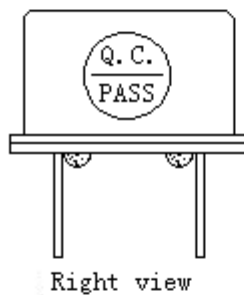
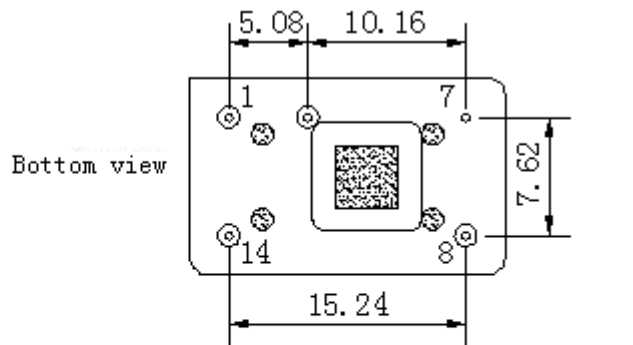
5.1. 1KHz	-130dBc/Hz
-----------	------------

6. Environmental conditions

6.1. Operable temperature range	0°C to +70°C
6.2. Storage temperature range	-50°C to +95°C
6.3. Vibration	IEC 60068-2-6 Test Fc, 10~55Hz, 0.75mm displacement, 30 minutes in each of three mutually perpendicular axes at 1 octave per minute
6.4. Shock	IEC 60068-2-27 Test Ea, 1000m/S ² acceleration for 6ms duration, 3 shocks in each direction along three mutually perpendicular axes.
6.5. Sealing	IEC 60068-2-17 Test Qk (Fine Leak), (MIL-STD-202 Method 112 Test condition C) and IEC 60068-2-17 Test Qc (Gross Leak), (MIL-STD-202 Method 112 Test condition D)

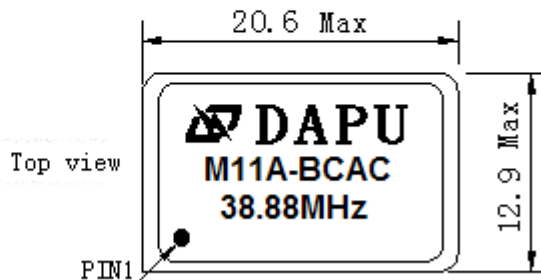


7. Mechanical



PIN FUNCTION

PIN	PUNCTION
1	NC
7	GND
8	OUTPUT
14	VCC

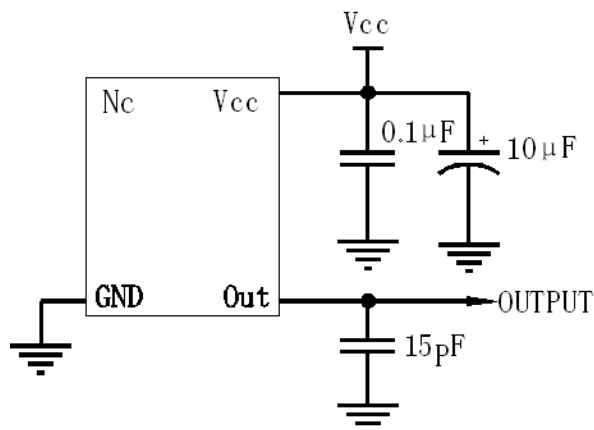


* Tolerance ±0.2mm without mark

Note: The bottom view means that the stitches are against the people

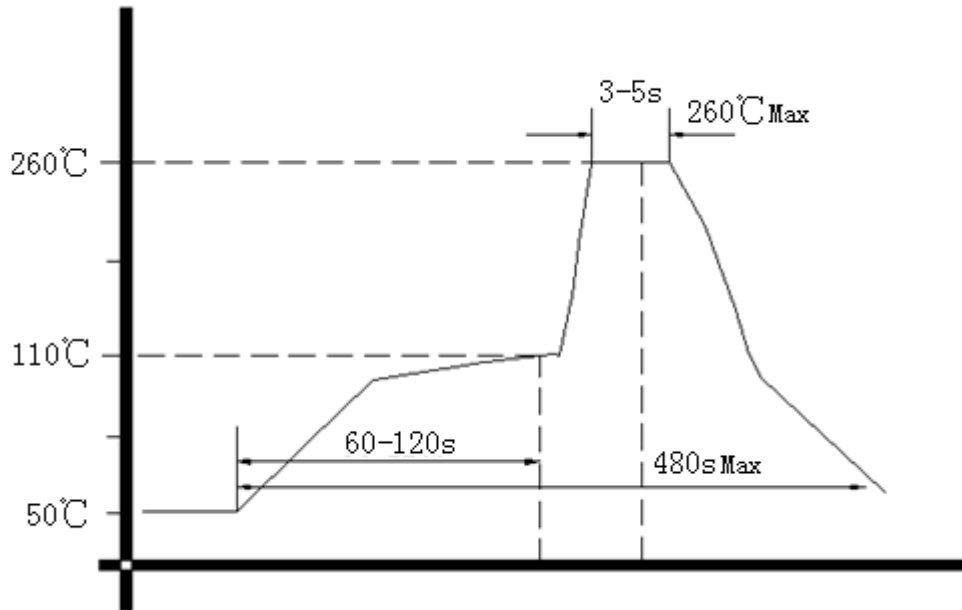
Unit : mm

8. Test circuit





9. Wave Soldering Curve (RoHS)



10. Package: Tape & Reel (mm), 12PCS

