

Customer Code : _____

DATASHEET

DAPU P/N : **V756-C315-80.00MHz**
(Z75ZCYM8000A)

Customer P/N: _____

DAPU			Customer Approval
Drew	Audited	Approved	Stamp, please! Thanks!
Date: 2015.06.24			

Guangdong Dapu Telecom Technology Co.,Ltd

Bldg13-16,.N.Ind.Zone,SSL Industry Park, Dongguan City, Guangdong Province, China

TEL: 0086-0769-88010888 FAX: 0086-0769-81800098

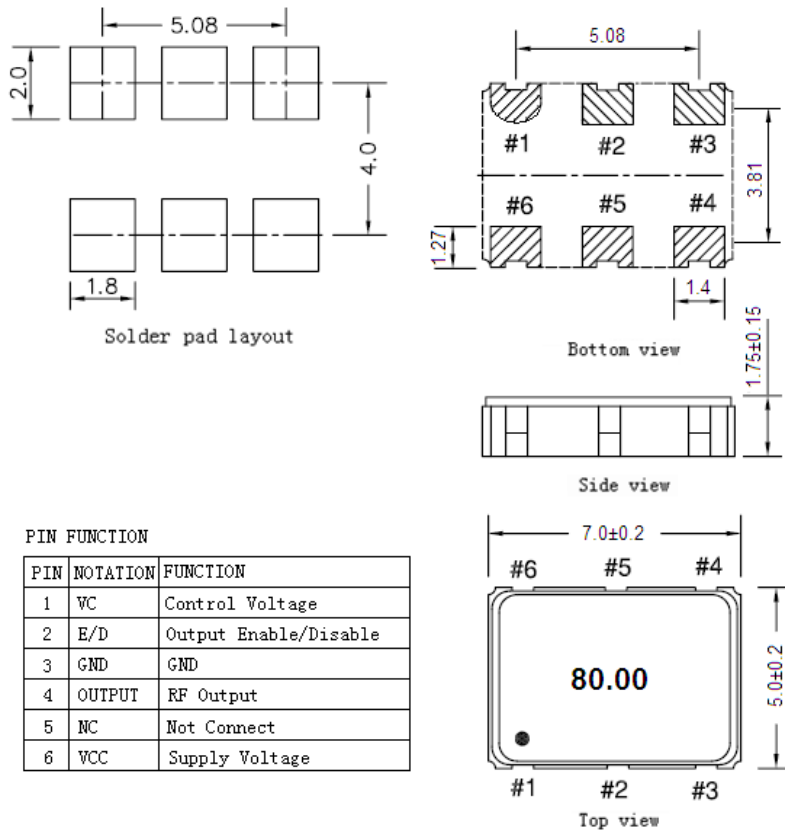
**1、 Electrical Parameters**

Parameters	SYM	Electrical Spec.				Notes
		Min.	Typ.	Max.	Units	
Frequency Stabilities						
Nominal Frequency	F _N	80.00			MHz	
Overall Stability		-50		+50	× 10 ⁻⁶	Inclusive of the following: - operating temperature -40°C to 85°C - Initial stability @25°C - 3.3V ±5% - 1 st year aging
Aging		-3		+3	× 10 ⁻⁶	1 st year
RF Output						
Output Waveform		CMOS				
Load	I _{OUT}	15			pF	
Output Voltage High	V _{OH}	2.97			V	
Output Voltage Low	V _{OL}			0.33	V	
Rise / Fall Time	T _r / T _f			4	ns	10%-90%
Symmetry	SYM	45	~	55	%	@50%
Start-up Time	T _S			5	ms	
Supply Voltage						
Supply Voltage	V _{CC}	2.97	3.3	3.63	V	
Input Current	I _{CC}			20	mA	At maximum supply voltage
Control Voltage						
Control Voltage Rang	V _C	0.3		3.0	V	V _C =1.65V
Frequency Tuning Range	PR	±100			× 10 ⁻⁶	
Absolute Pull Range	APR	±50			× 10 ⁻⁶	
Linearity	Lin			10	%	
Slope		Positive				
Input Impedance	Z _{IN}	2000			KΩ	
Modulation BW	BW	15			KHz	
Enable Control		Yes				Pad 2
Output Enable	V _{IH}	2.31 or Floating			V	
Output Disable	V _{IL}			0.99	V	
Phase Noise						
Jitter(Pk-Pk)				40	ps	
Phase Noise				-100	dBc/Hz	100Hz
				-130		1KHz
				-140		10KHz
				-145		100KHz



Environmental Conditions						
Operating Temperature	T _{OP}	-40	~	85	°C	
Storage Temperature	T _{ST}	-55	~	125	°C	
ESD Level	Human Body Model, class2: 2000V to 4000V; ANSI/ESDA/JEDEC JS-001-2010.					
	Machine Model, class B: 200V to 400V; ANSI/ESDA/JEDEC JS-001-2010.					
Moisture Sensitivity Level	Level 2.					
Vibration	Test Condition: 0.75mm; acceleration:10g;10Hz~2000Hz, one cycle per 30 min, test 2 hour. (3 times for each 3 directions X , Y , Z) .IEC 68-2-06 Test Fc.					
Shock	100g; 6ms; half sine wave (3 times for each 3 directions X , Y , Z),IEC 68-2-27 Test Ea/Severity 50A.					

2、 Mechanical Structure(mm)



PIN FUNCTION		
PIN	NOTATION	FUNCTION
1	VC	Control Voltage
2	E/D	Output Enable/Disable
3	GND	GND
4	OUTPUT	RF Output
5	NC	Not Connect
6	VCC	Supply Voltage

Note1: Tolerance ±0.1mm without mark

Note2: Referential Weight 0.3g

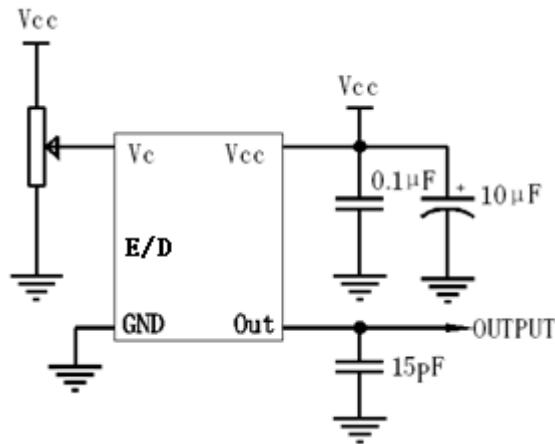
Note3: Disable: V_{il} ≤ 0.99V

Enable: V_{ih} ≥ 2.31V or Floating

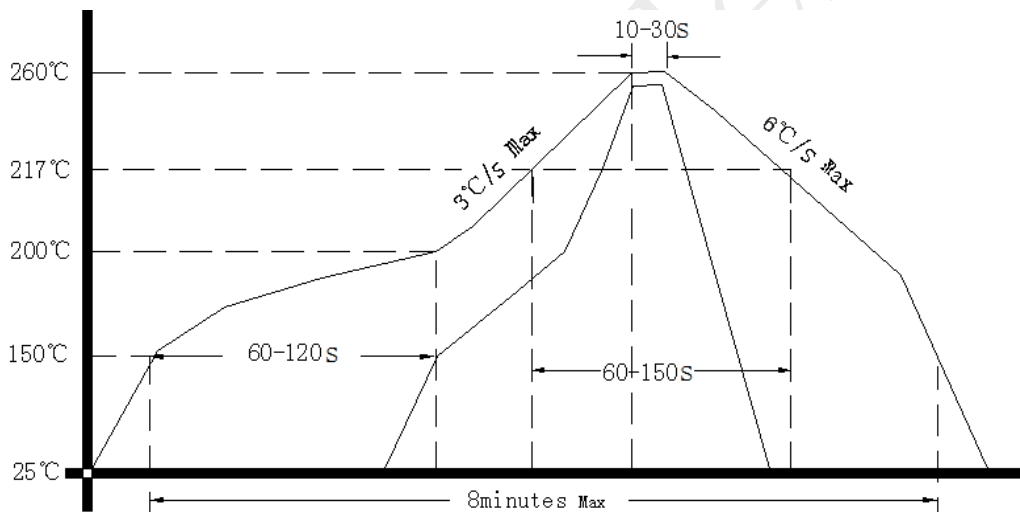
E/D	OUT
high level, open	data
low level	no data



3、 Test circuit



4、 Reflow Soldering Curve (RoHS)



5、 Package: Tape & Reel (mm)

