

Customer Code: _____

DATASHEET

DAPU P/N: TC32B-D152-FT-25.00MHz

DAPU			Customer Approval
Drew	Audited	Approved	Stamp, please! Thanks!
Date: 2015.04.22			

Guangdong Dapu Telecom Technology Co.,Ltd

Bldg13-16,.N.Ind.Zone,SSL Industry Park, Dongguan City, Guangdong Province, China

TEL: 0086-0769-88010888 FAX: 0086-0769-81800098



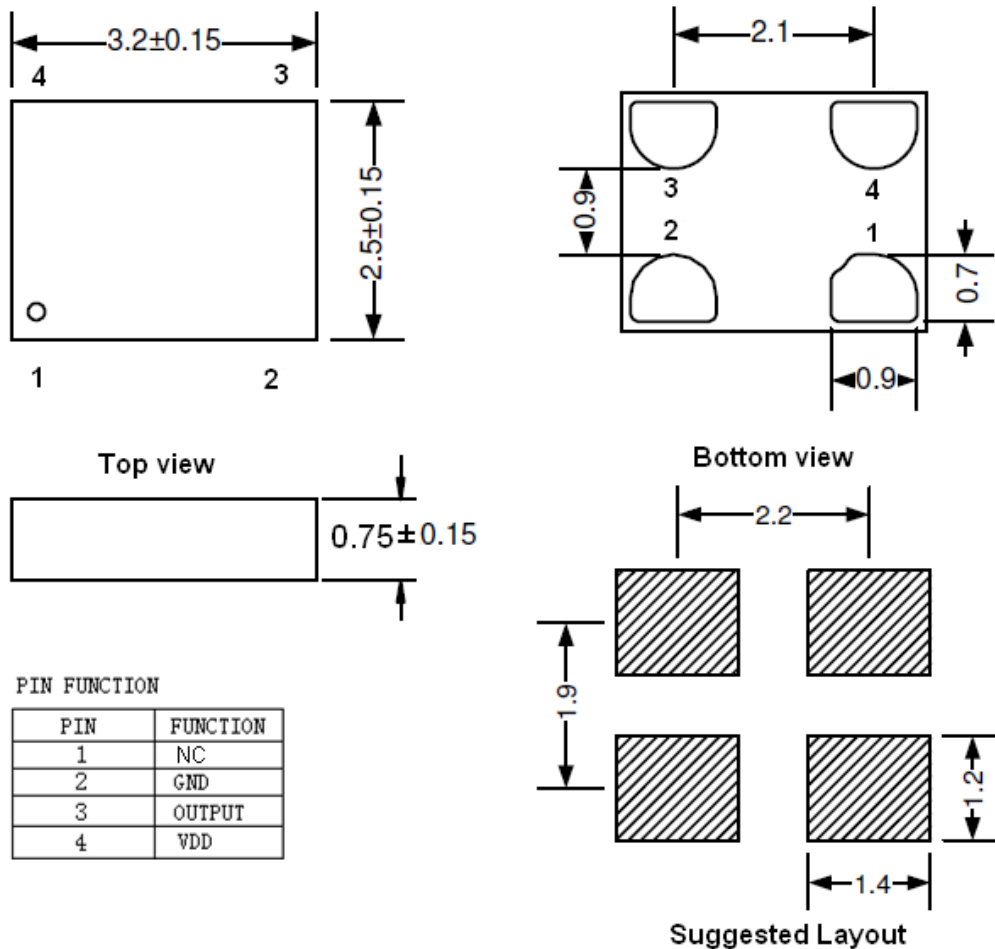
1、Electrical Parameters

MODEL: TC32B-D152-FT-25.00MHz							
No.	Parameters	SYM.	Electrical Spec.				Notes
			Min.	Typ.	Max.	Units	
1	Nominal Frequency	FL	25.00			MHz	
2	Frequency Tolerance vs. Temperature	-	-5	~	+5	$\times 10^{-6}$	
3	Initial Frequency Tolerance	-	-1		+1	$\times 10^{-6}$	$T_A=25^\circ\text{C}$, $V_{CC}=3.3\text{V}$,
4	Frequency Tolerance vs. Supply Voltage	-	-	0.05	-	$\times 10^{-6}$	$\pm 10\% V_{CC}$
5	Frequency Tolerance vs. Load	-	-	0.1	-	$\times 10^{-6}$	15 pF $\pm 10\%$ of load
6	Operating Temperature	Topr	-20	~	+70	$^\circ\text{C}$	
7	Storage Temperature	Tstg	-55	~	+105	$^\circ\text{C}$	
8	Supply Voltage	Vcc	2.97	3.30	3.63	V	
9	Current Consumption	Idd	-	31	33	mA	
10	Output waveform		HCMOS				
11	Output Load:	CL	15			pF	
12	Output Voltage High	VOH	90%	-	-	Vdd	
13	Output Voltage Low	VOL	-	-	10%	Vdd	
14	Rise / Fall Time (10%~90%)	Tr	-	1.5	2.0	ns	@25 $^\circ\text{C}$
15	Duty Cycle	-	45	~	55	%	
16	Start-up Time	-	-	-	10	ms	
17	First year Aging	-	-1.0	~	+1.0	$\times 10^{-6}$	25 $^\circ\text{C}$
18	10-year Aging	-	-3.5	~	+3.5	$\times 10^{-6}$	25 $^\circ\text{C}$
19	Phase Jitter	T_phj	-	0.5	1	ps	12kHz~20 MHz
20	Drop Test	75 cm height,3 times on concrete floor .					JIS C6701
21	ESD Level	Human Body Model, class2: 2000V to 4000V; ANSI/ESDA/JEDEC JS-001-2010.					
		Machine Model, class B: 200V to 400V; ANSI/ESDA/JEDEC JS-001-2010.					
22	Moisture Sensitivity Level	Level 2.					



23	Mechanical Shock	Device are shocked to half sine wave (1000 G) three mutually. perpendicular axes each 3 times. 0.5m sec. duration time	MIL-STD-202F
24	Vibration	Frequency range 10 ~ 2000 Hz Amplitude 1.52 mm/20G Sweep time 20 minutes perpendicular axes each test time 4 hours (Total test time 12 hours)	MIL-STD-883E
25	Full Package Storage	Relative humidity (%)	20% ~ 70%
		Temperature (°C)	-10~35°C

2、Mechanical Structure(mm)



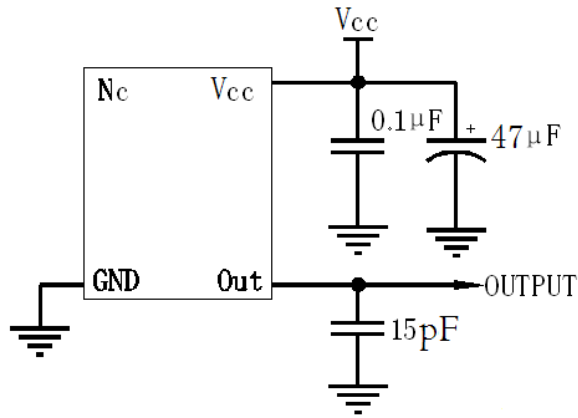
Note1: Tolerance ±0.2mm without mark

Note2: The first two xx representative: week After two xx representative: year

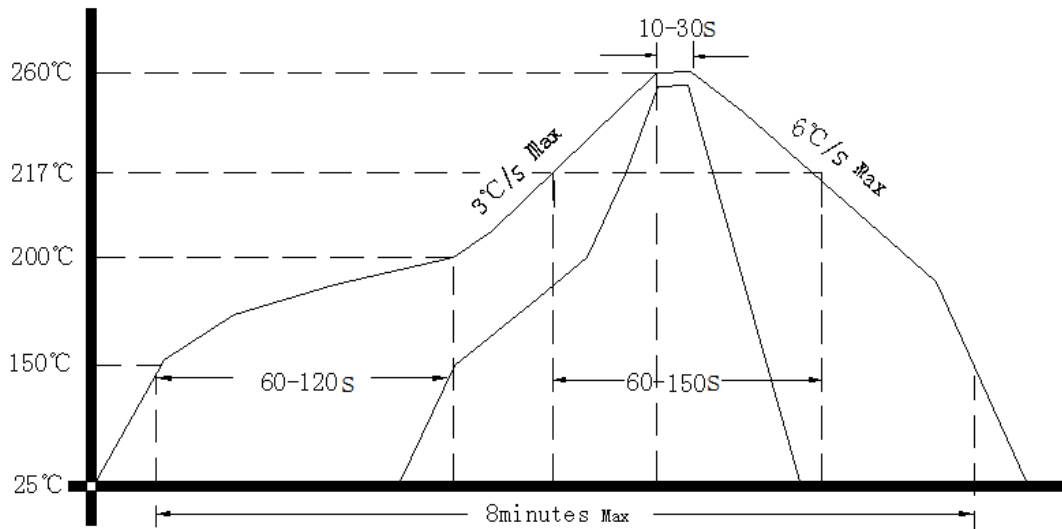
Note3: Referential Weight 0.2g



3、 Test Circuit



4、 Reflow Soldering Curve (RoHS)



5、 Package: Tape & Reel (mm)

