

Travelling Merchant: _____

DATASHEET

Standard: DP7W3000001

Plot			The Label
Drew	Audited	Approved	Stamp, please! Thanks!
Date: 2012.11.23			

Guangdong Dapu Telecom Technology Co.,Ltd

Bldg13-16,.N.Ind.Zone,SSL Industry Park, Dongguan City, Guangdong Province, China

TEL: 0086-0769-88010888 FAX: 0086-0769-81800098

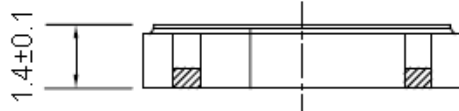
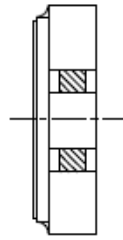
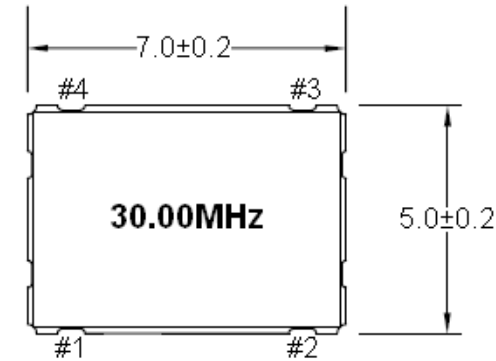


1、 Electrical Parameters

MODEL: DP7W3000001							
No.	Parameters	SYM.	Electrical Spec.				Notes
			Min.	Typ.	Max.	Units	
1	Nominal Frequency	FL	30.000000			MHz	
2	Output Waveform	-	HCMOS				
3	Supply Voltage	V _{cc}	2.97	3.3	3.63	V	
4	Rise/Fall Time (10%~90%)	-	-	-	5	nS	@25°C
5	Output Load	-	15pF			-	
6	Frequency Tolerance	-	-25	-	25	× 10 ⁻⁶	@25±3°C
7	Frequency Stability	-	-25	-	25	× 10 ⁻⁶	T _A varied from -20°C to 85°C, measurement referenced to frequency observed with T _A = 25°C, V _{cc} = 3.3V, O _{load} = 15pF.
8	Operating Temperature Range	-	-40	~	+85	°C	
9	Storage Temperature	-	-55	-	+125	°C	
10	Load(Impedance)	R	0.351	0.39	0.429	KΩ	
11	Fan out	-	-	10	-	TTL	
12	Tri-state(standby function)	V _{ih}	2.97	-	-	V	Oscillation Enable
13	Tri-state(standby function)	V _{il}	-	-	0.33	V	Oscillation Disable
14	Current Consumption	-	-	-	20	mA	
15	Output Level Logic 1	V _{oh}	2.97	-	-	V	
16	Output Level Logic 0	V _{ol}	-	-	0.33	V	
17	Duty Cycle	-	45	50	55	%	@ 1.65 V
18	Start Up Time	-	-	-	10	ms	@+2.97V
19	Aging	-	-3	-	+3	× 10 ⁻⁶	PER YEAR (AT 25 °C ± 5°C)
20	ESD Level	Human Body Model,class2: 2000V to 4000V; ANSI/ESDA/JEDEC JS-001-2010.					
		Machine Model, class B: 200V to 400V; ANSI/ESDA/JEDEC JS-001-2010.					
21	Moisture Sensitivity Level	Level 2.					
22	Vibration	Test Condition: 0.75mm ;acceleration:10g;10Hz~2000Hz, one cycle per 30 min, test 2 hour. (3 times for each 3 directions X ,Y , Z) .IEC 68-2-06 Test Fc.					
23	Shock	100g; 6ms; half sine wave (3 times for each 3 directions X ,Y , Z),IEC 68-2-27 Test Ea/Severity 50A.					
24	ESD Level	Human Body Model,class2: 2000V to 4000V; ANSI/ESDA/JEDEC JS-001-2010.					



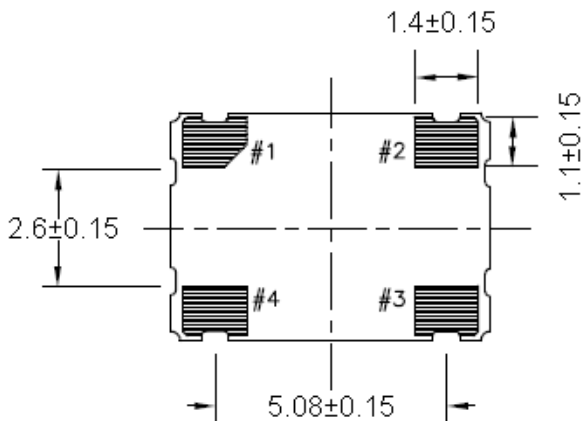
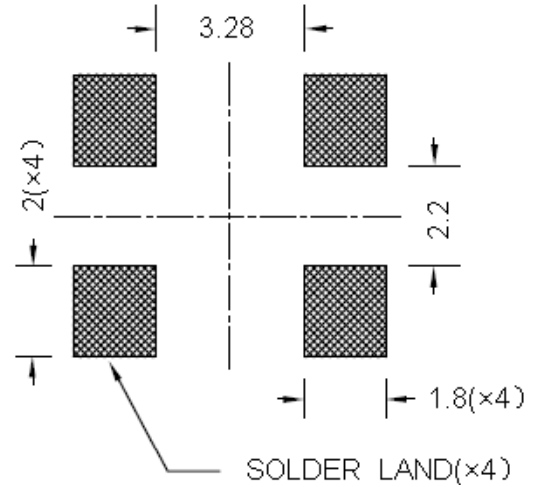
2、Mechanical Structure(mm)



PIN NO.	CONNECTION
#1	Tri-state or N.C
#2	GND
#3	OUTPUT
#4	+VCC

Tri-state		Function
Tri-state	Pin	Output
High or Floating		Active
Low		Hi-Impedance

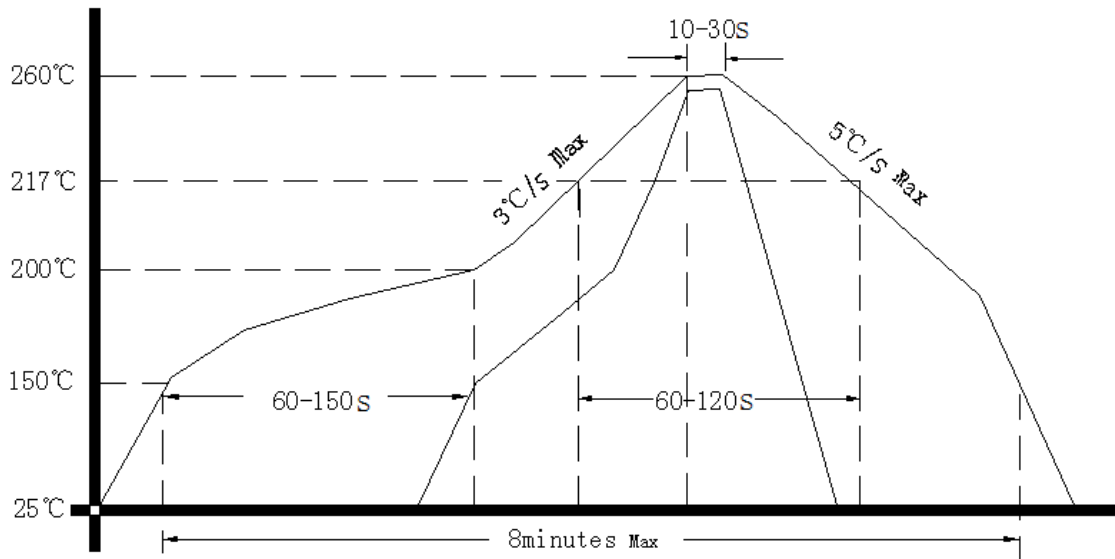
LAND PATTERN (REFERENCE)



Note1: Tolerance ±0.2mm



3、Reflow Soldering Curve (RoHS)



4、Package: Tape & Reel (mm)

