

Travelling Merchant: \_\_\_\_\_

# DATASHEET

Standard:           **O22A-R426-10.00MHz**          

P/N:                           **OC-0060**                          

Plot			The Label
Drew	Audited	Approved	Stamp, please! Thanks!
Date: 2012.04.27			

**Guangdong Dapu Telecom Technology Co.,Ltd**

Bldg13-16,.N.Ind.Zone,SSL Industry Park, Dongguan City, Guangdong Province, China

TEL: 0086-0769-88010888 FAX: 0086-0769-81800098



### Table of amendment

Version	Revision contents	Prepared by	Revised date
1.0	The first issued	<i>Amway</i>	2010.06.08
1.1	“Phase Noise” changed	<i>Amway</i>	2012.04.27



## 1. Electrical Parameters

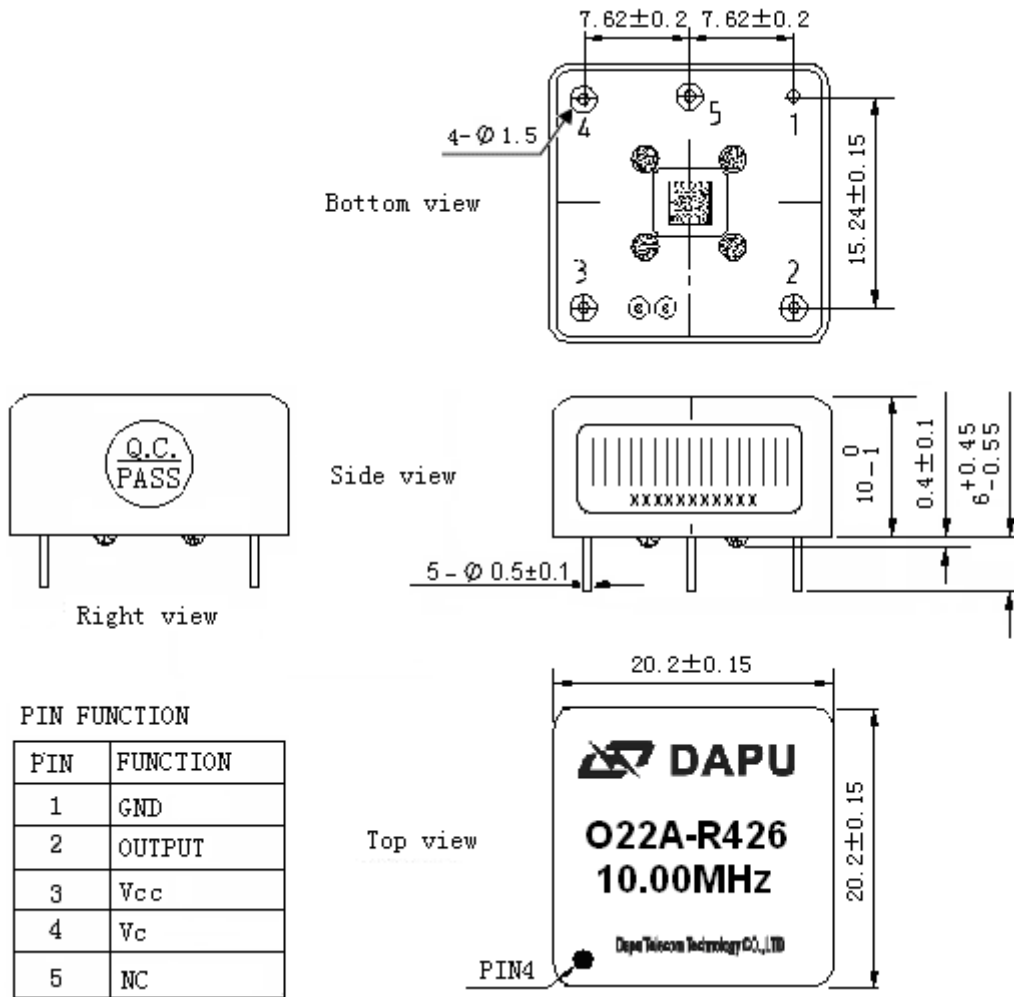
MODEL: O22A-R426-10.00MHz						
Item	Description	Parameters			Unit	Test Condition
		Min.	Typ.	Max.		
Output	Frequency	10.00			MHz	
	Output Waveform	Sine wave				
	Level	6		10	dBm	
	Load	50			$\Omega$	
	Harmonics Suppression			-30	dBc	
	Spurious Suppression			-70	dBc	
Frequency Stabilities	Frequency Tolerance vs. Operating Temperature Range	-5		+5	$\times 10^{-9}$	$T_A$ varied from $-20^{\circ}\text{C}$ to $70^{\circ}\text{C}$ , measurement referenced to frequency observed with $T_A=25^{\circ}\text{C}$ , $V_{cc}=5.0\text{V}$ , $V_c=2.5\text{V}$ , $O_{load}=50\Omega$ , temperature rise speed less than $2^{\circ}\text{C}$ per minute.
	Initial Frequency Tolerance	-0.05		+0.05	$\times 10^{-6}$	Measurement referenced to frequency observed with $T_A=25^{\circ}\text{C}$ , $V_{cc}=5.0\text{V}$ , $V_c=2.5\text{V}$ and after 15 minutes of operation, within 30 days after ex-works.
	Frequency Tolerance vs. supply voltage	-3		+3	$\times 10^{-9}$	measurement referenced to frequency observed $T_A=25^{\circ}\text{C}$ , $V_{cc}$ varied from 4.75V to 5.25V, $V_c=2.5\text{V}$ , $O_{load}=50\Omega$ .
	Frequency Tolerance vs. Load	-3		+3	$\times 10^{-9}$	5% Load Change Measurement referenced to frequency observed with $T_A=25^{\circ}\text{C}$ , $V_{cc}=5.0\text{V}$ , $V_c=2.5\text{V}$ , $O_{load}=50\Omega$ .
	Short Term Stability			0.01	$\times 10^{-9}$	Temperature stability, no EMI\EMC or other interference, test after power for 1hour ref. to $25^{\circ}\text{C}$ ; 1s, using PN9000 equipment.
	Aging Tolerance per day	-1		+1	$\times 10^{-9}$	$V_{cc}, V_c, T_A$ constant Measurement referenced to frequency observed with $T_A=25^{\circ}\text{C}$ , $V_{cc}=5.0\text{V}$ , $V_c=2.5\text{V}$ , $O_{load}=50\Omega$ and after 30 days of operation.
	Aging Tolerance 1Year	-0.1		+0.1	$\times 10^{-6}$	
Power Supply	Supply Voltage	4.75	5.0	5.25	V	
	Current Consumption			250	mA	@ $25^{\circ}\text{C}$
	Current Consumption during warm up			500	mA	



Voltage Control Characteristics	Frequency Tuning Range	-0.8		-0.5	ppm	$V_c=0V$ . measurement referenced to $V_c=2.5V$ .
		-0.05		+0.05	ppm	$V_c=2.5V$ . measurement referenced to exactly 10.00MHz.
		+0.5		+0.8	ppm	$V_c=5.0V$ . measurement referenced to $V_c=2.5V$ .
	Linearity			10	%	
	Slope	Positive				
	Input Impedance	100				K $\Omega$
Phase Noise	Phase Noise		-120	-115	dBc/Hz	10Hz
			-140	-135		100Hz
			-155	-150		1KHz
			-155	-150		10KHz
			-155	-150		100KHz
			-158	-153		1MHz
Environmental Conditions	Operable Temperature	-40		+85	$^{\circ}C$	
	Storage Temperature	-55		+105	$^{\circ}C$	
	ESD Level	Human Body Model,class2: 2000V to 4000V; ANSI/ESDA/JEDEC JS-001-2010.				
		Machine Model, class B: 200V to 400V; ANSI/ESDA/JEDEC JS-001-2010.				
	Moisture Sensitivity Level	Not humidity sensitive.				
	Vibration	Test Condition: 0.75mm ;acceleration:10g;10Hz~500Hz, one cycle per 30 min, test 2 hour. (3 times for each 3 directions X , Y , Z), IEC 68-2-06 Test Fc.				
Shock	50g; 11ms; half sine wave (3 times for each 3 directions X , Y , Z ),IEC 68-2-27 Test Ea/Severity 50A.					



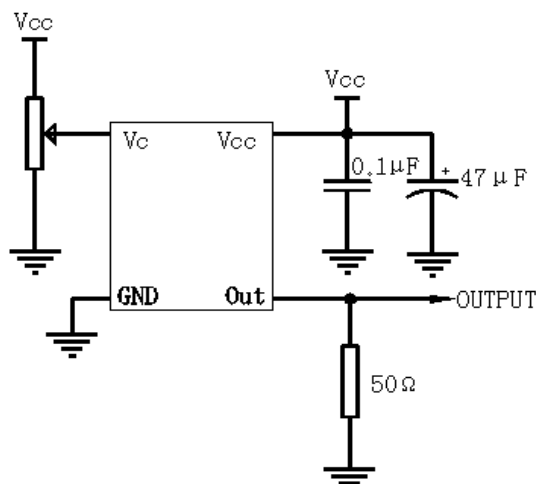
## 2. Mechanical Structure (mm)



**Note1:** Referential Weight 11g

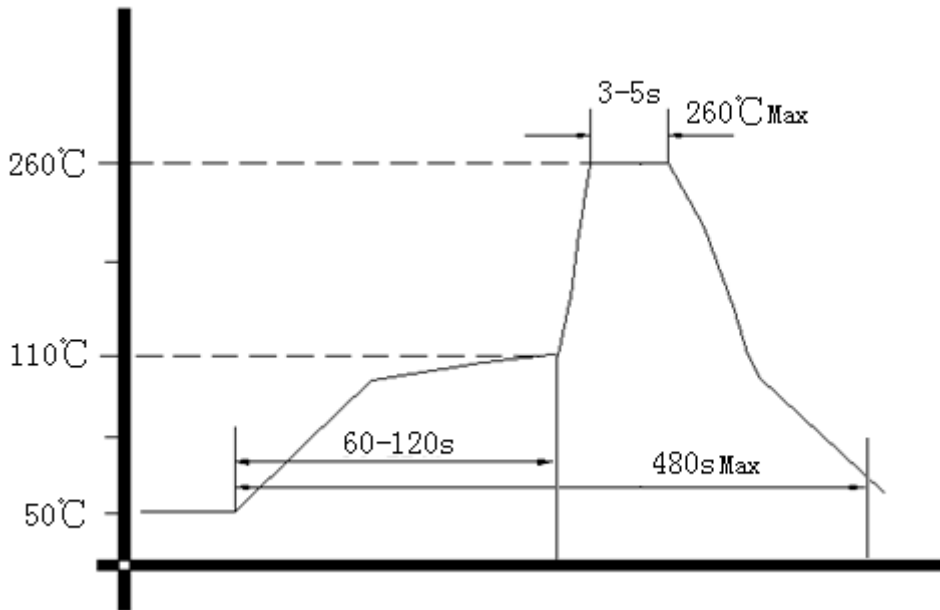
**Note2:** NC is not connect

## 3. Test Circuit





#### 4. Wave Soldering Curve (RoHS)



#### 5. Package(mm)

