

Travelling Merchant: \_\_\_\_\_

# DATASHEET

Standard: DP8W1200001

| Plot             |         |          | The Label              |
|------------------|---------|----------|------------------------|
| Drew             | Audited | Approved | Stamp, please! Thanks! |
|                  |         |          |                        |
| Date: 2012.10.10 |         |          |                        |

## Guangdong Dapu Telecom Technology Co.,Ltd

Bldg13-16,.N.Ind.Zone,SSL Industry Park, Dongguan City, Guangdong Province, China

TEL: 0086-0769-88010888 FAX: 0086-0769-81800098

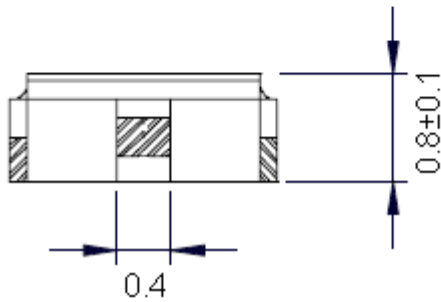
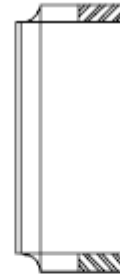
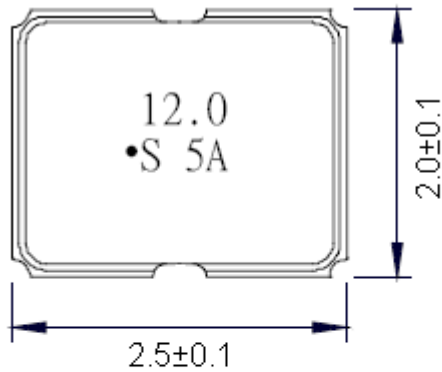


## 1、 Electrical Parameters

| MODEL: DP8W12000001 |                             |  |                  |      |      |                  |  |
|---------------------|-----------------------------|--|------------------|------|------|------------------|--|
| No.                 | Parameters                  | SYM.   | Electrical Spec. |      |      |                  | Notes  |
|                     |                             |  | Min.             | Typ. | Max. | Units            |  |
| 1                   | Nominal Frequency           | FL   | 12.000000        |      |      | MHz              |  |
| 2                   | Output Waveform             | -  | HCMOS            |      |      |                  |  |
| 3                   | Supply Voltage              | Vcc  | 3.13             | 3.3  | 3.47 | V                |  |
| 4                   | Rise/Fall Time (10%~90%)    | -  | -                | -    | 10   | nS               |  |
| 5                   | Output Load                 | -  | 15pF             |      |      | -                |  |
| 6                   | Frequency Stability         | -  | -20              | -    | +20  | $\times 10^{-6}$ | Include Freq. Tolerance,Temp. Supply voltage,Load. |
| 7                   | Operating Temperature Range | -  | -40              | ~    | +85  | °C               |  |
| 8                   | Storage Temperature         | -  | -55              | ~    | +125 | °C               |  |
| 9                   | Input Current               | Icc  | -                | -    | 6    | mA               |  |
| 10                  | Standby Current             | Ist  | -                | -    | 5    | uA               |  |
| 11                  | Duty Cycle                  | -  | 45               | 50   | 55   | %                |  |
| 12                  | Start Time                  | -  | -                | -    | 10   | mS               |  |
| 13                  | Tri-state(standby function) | Vih  | 2.97             | -    | -    | V                | Oscillation Enable                                 |
| 14                  | Tri-state(standby function) | Vil  | -                | -    | 0.33 | V                | Oscillation Disable                                |
| 15                  | Output Level Logic 1        | Voh  | 2.97             | -    | -    | V                |  |
| 16                  | Output Level Logic 0        | Vol  | -                | -    | 0.33 | V                |  |
| 17                  | Aging                       | -  | -5               | -    | +5   | $\times 10^{-6}$ | PER YEAR (AT25°C±5°C)                              |
| 18                  | ESD Level                   | Human Body Model,class2: 2000V to 4000V; ANSI/ESDA/JEDEC JS-001-2010.  |                  |      |      |                  |  |
| 19                  |                             | Machine Model, class B: 200V to 400V; ANSI/ESDA/JEDEC JS-001-2010.   |                  |      |      |                  |  |
| 20                  | Moisture Sensitivity Level  | Level 2.   |                  |      |      |                  |  |
| 21                  | Vibration                   | Test Condition: 0.75mm ;acceleration:10g;10Hz~2000Hz, one cycle per 30 min, test 2 hour. (3 times for each 3 directions X , Y , Z ).IEC 68-2-06 Test Fc. |                  |      |      |                  |  |
| 22                  | Shock                       | 100g; 6ms; half sine wave (3 times for each 3 directions X , Y , Z ),IEC 68-2-27 Test Ea/Severity 50A.   |                  |      |      |                  |  |



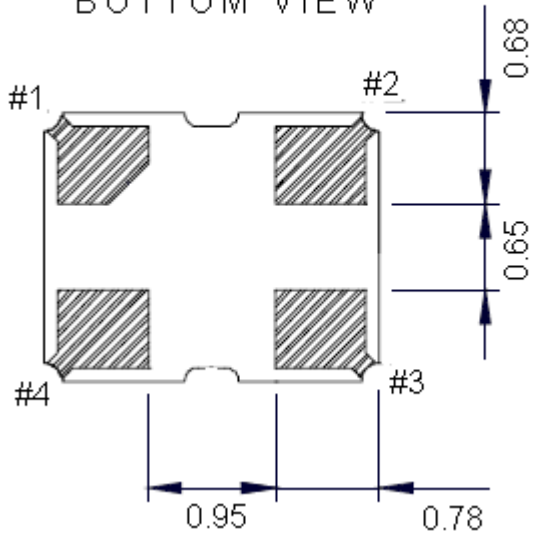
## 2、Mechanical Structure(mm)



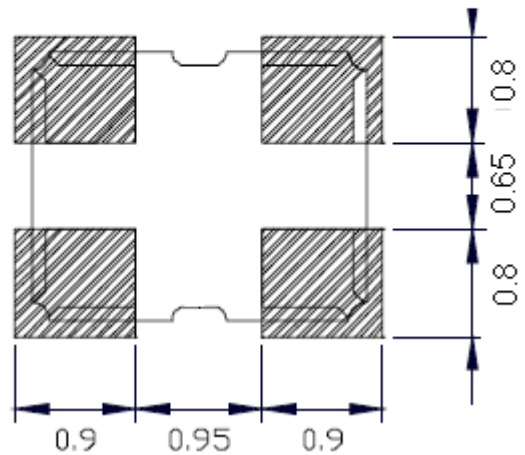
| Terminal | Connection |
|----------|------------|
| #1       | CE         |
| #2       | GND        |
| #3       | OUTPUT     |
| #4       | +VCC       |

#1:NC or H→ Output Enable  
#1:L→Output Disable ( Hi-Z )

BOTTOM VIEW



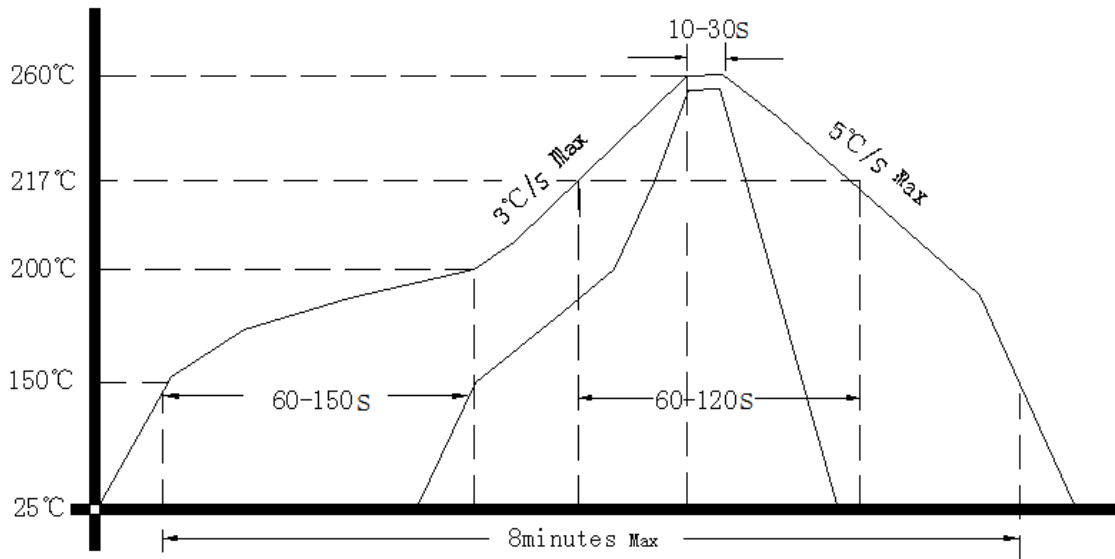
LAND PATTERN (REFERENCE )



**Note1:** Tolerance  $\pm 0.1\text{mm}$  without mark



### 3、Reflow Soldering Curve (RoHS)



### 4、Package: Tape & Reel (mm)

