

Travelling Merchant: \_\_\_\_\_

# DATASHEET

Standard:           V756-A311-30.72MHz          

Plot			The Label
Drew	Audited	Approved	Stamp, please! Thanks!
Date: _____			

**Guangdong Dapu Telecom Technology Co.,Ltd**

Bldg13-16,.N.Ind.Zone,SSL Industry Park, Dongguan City, Guangdong Province, China

TEL: 0086-0769-88010888 FAX: 0086-0769-81800098



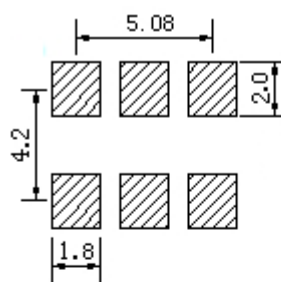
## 1. Electrical Parameters

MODEL: V756-A311-30.72MHz						
Item	Description	Parameters			Unit	Test Condition
		Min.	Typ.	Max.		
Output	Frequency	30.72			MHz	
	Output Waveform	HCMOS				
	Output Low Voltage			0.4	V	$V_{cc}=3.3V, O_{load}=15pF$
	Output High Voltage	2.7			V	$V_{cc}=3.3V, O_{load}=15pF$
	Duty Cycle	45	50	55	%	@25°C
	Rise / Fall Time (20%~80%)			6	ns	
	Load	15			pF	
Frequency Stabilities	Frequency Tolerance vs. Operating Temperature Range	-25		+25	ppm	$T_A$ varied from -40°C to 85°C, measurement referenced to frequency observed with $T_A=25°C, V_{cc}=3.3V, V_c=1.65V, O_{load}=15pF$ .
	Initial Frequency Tolerance	-10		+10	ppm	Measurement referenced to frequency observed with $T_A=25°C, V_{cc}=3.3V, V_c=1.65V$ and after 5s of operation, within 30 days after ex-works
	Frequency Tolerance vs. Supply Voltage	-5		+5	ppm	measurement referenced to frequency observed $T_A=25°C, V_{cc}$ varied from 3.13V to 3.47V, $V_c=1.65V$ and $O_{Load}=15pF$ .
	Frequency Tolerance vs. Load	-2		+2	ppm	10% load change measurement referenced to frequency observed with $T_A=25°C, V_{cc}=3.3V, V_c=1.65V, O_{load}=15pF$ .
	Aging Tolerance 1 Year	-5		+5	ppm	$T_A=25°C, V_{cc}=3.3V, V_c=1.65V$ and after 1h of operation.
Power Supply	Current Consumption		5		mA	@25°C, $V_{cc}=3.3V, V_c=1.65V, O_{Load}=15pF$
	Supply Voltage	3.13	3.3	3.47	V	
Voltage Control Characteristics	Frequency Tuning Range			-80	ppm	$V_c=0V$ . measurement referenced to $V_c=1.65V$
		-10		+10	ppm	$V_c=1.65V$ . measurement referenced to exactly 30.72MHz
		+80			ppm	$V_c=3.3V$ . measurement referenced to $V_c=1.65V$
	Linearity			10	%	
	Slope	Positive				
	Input Impedance	100			K Ohm	

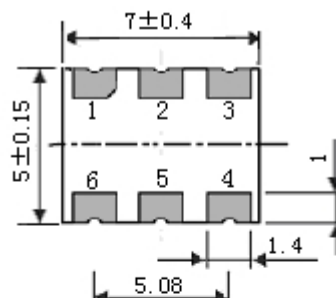


Phase Noise	Phase Noise		-77		dBc/Hz	10Hz
			-112			100Hz
			-133			1KHz
			-147			10KHz
			-156			100KHz
			-160			1MHz
			-162			10MHz
Environmental Conditions	Operable Temperature	-40		+85	°C	
	Storage Temperature	-55		+90	°C	
	Vibration	Test Condition: 0.75mm ;acceleration:10g;10Hz~2000Hz, one cycle per 30 min, test 2 hour. (3 times for each 3 directions X ,Y, Z). IEC 68-2-06 Test Fc.				
	Shock	100g; 6ms; half sine wave (3 times for each 3 directions X ,Y, Z ),IEC 68-2-27 Test Ea/Severity 50A.				

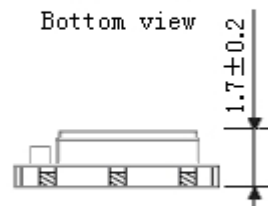
## 2. Mechanical Structure (mm)



Solder pad layout



Bottom view



Front view

PIN FUNCTION	
PIN	FUNCTION
1	VC
2	NC
3	GND
4	OUTPUT
5	NC
6	VCC



Top view

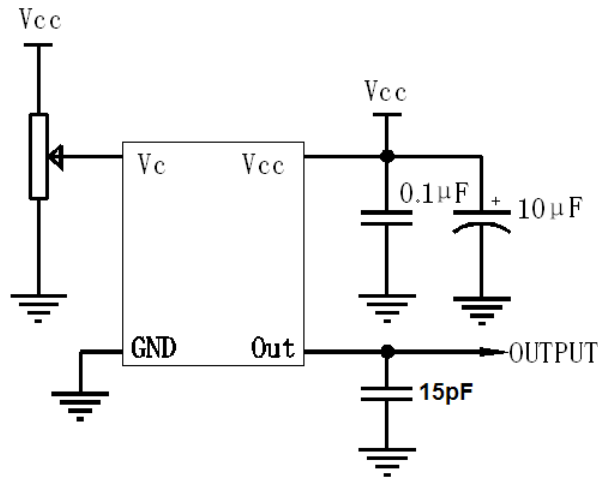
**Note1:** Tolerance ±0.1mm without mark

**Note2:** Referential Weight 0.2g

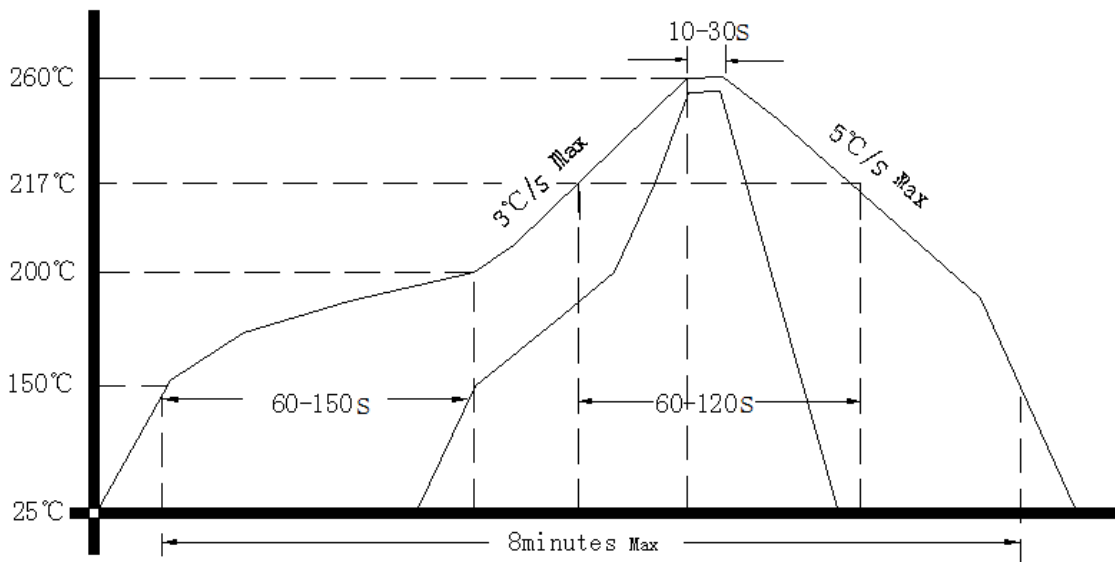
**Note3:** NC is not connect



### 3. Test Circuit



### 4. Reflow Soldering Curve (RoHS)



### 5. Package: Tape & Reel (mm)

