

Travelling Merchant: S024

DATASHEET

Standard: T75D-BCAD-10.00MHz

Plot			The Label
Drew	Audited	Approved	Stamp, please! Thanks!
Date:			

Guangdong Dapu Telecom Technology Co.,Ltd

Bldg13,.N.Ind.Zone,SSL Industry Park, Dongguan City, Guangdong Province, China

TEL: 0086-0769-88010888 FAX: 0086-0769-81800098



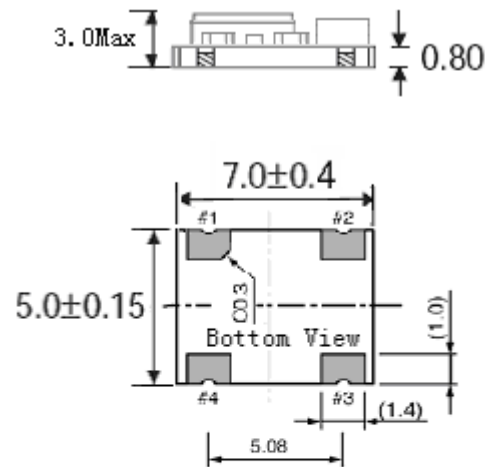
1、Electrical Parameters

MODEL: T75D-BCAD-10.00MHz						
Item	Description	Parameters			Unit	Test Condition
		Min.	Typ.	Max.		
Output	Frequency	10.00			MHz	
	Output Waveform	HCMOS				
	Output Low Voltage			+0.4	V	V _{cc} =3.3V, O _{load} =15pF
	Output High Voltage	+2.8			V	V _{cc} =3.3V, O _{load} =15pF
	Duty Cycle	45	50	55	%	@50%, measurement at 1.65V _c
	Rise / Fall Time (10% ~90%)			6	ns	@25°C
	Load		15		pF	
Frequency Stabilities	Frequency Tolerance vs. Operating Temperature Range	-0.5		+0.5	ppm	T _A varied from -40°C to 85°C, measurement referenced to frequency observed with T _A =25°C, V _{cc} =3.3V, V _C =1.65V, O _{load} =15pF, temperature rise speed less than 2°C per minute.
	Initial Frequency Tolerance	-1		+1	ppm	Measurement referenced to frequency observed with T _A =25°C, V _{cc} =3.3V, V _C =1.65V, and after 15 minutes of operation, within 30 days after ex-works.
	Frequency Tolerance vs. Supply Voltage	-0.1		+0.1	ppm	measurement referenced to frequency observed T _A =25°C, V _{cc} varied from 3.13V to 3.47V, V _C =1.65V and O _{Load} =15pF.
	Frequency Tolerance vs. Load	-0.1		+0.1	ppm	5% load change measurement referenced to frequency observed with T _A =25°C, V _{cc} =3.3V, V _C =1.65V.
	Aging Tolerance Per Day	-0.02		+0.02	ppm	V _{cc} , V _C , T _A constant measurement referenced to frequency observed with T _A =25°C, V _{cc} =3.3V, V _C =1.65V, and after 30 days of operation.
	Aging Tolerance 1 Year	-1		+1	ppm	
Power Supply	Current Consumption		3		mA	@25°C, V _{cc} =3.3V, V _C =1.65V, O _{load} =15pF
	Supply Voltage	+3.13	+3.3	+3.47	V	
Voltage Control Characteristics	Frequency Tuning Range			-5	ppm	V _C =0.65 V. measurement referenced to V _C =1.65V
		-1		+1	ppm	V _C =1.65V. measurement referenced to exactly 10.00MHz
		+5			ppm	V _C =2.65V. measurement referenced to V _C =1.65V



	Linearity			10	%	
	Slope	Positive				
	Input Impedance	100			K Ohm	
Phase Noise	Phase Noise		-135		dBc/Hz	1KHz
Environmental Conditions	Operable Temperature	-40		+85	°C	
	Storage Temperature	-45		+90	°C	
	Vibration	Test Condition: 0.75mm ;acceleration:10g;10Hz~2000Hz, one cycle per 30 min, test 2 hour. (3 times for each 3 directions X ,Y , Z).				
	Shock	100g; 6ms; half sine wave (3 times for each 3 directions X ,Y, Z),IEC 68-2-27 Test Ea/Severity 50A.				
	Drop	Test Condition: free drop on steel-made surface or rigid plane from a height of 100cm, IEC 68-2-32.				

2、 Mechanical Structure (mm)



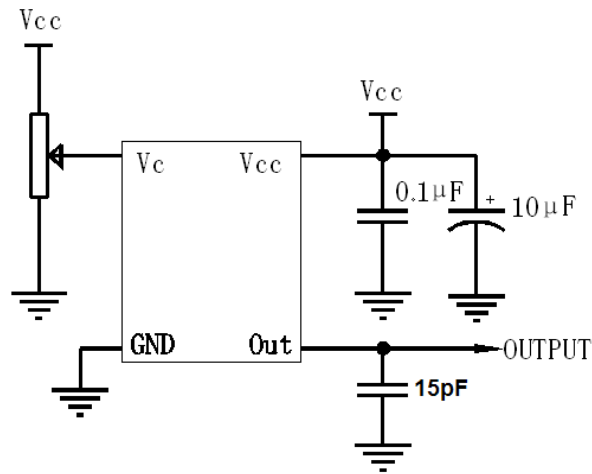
Pin Connections

#1	Vc
#2	GND
#3	Output
#4	Vcc

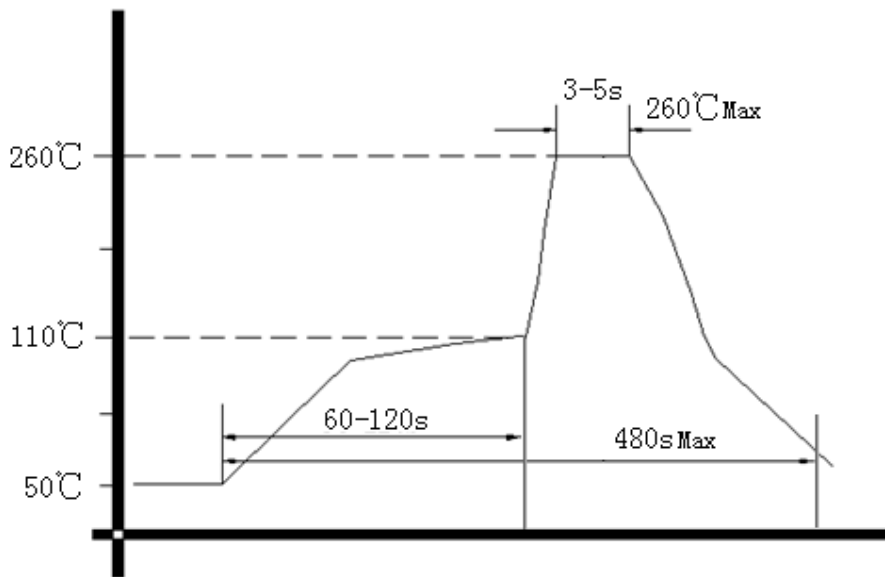
Note: Referential Weight 0.3g



3、 Test Circuit



4、 Wave Soldering Curve (RoHS)



5、 Package: PVC Tube,10pcs (mm)

