



## SPECIFICATION

Customer : \_\_\_\_\_

Customer P/N : **OS70506A-AEAN-155.52MHz**

Agent : \_\_\_\_\_

Agent Code : \_\_\_\_\_

Order Code : \_\_\_\_\_

P/N : \_\_\_\_\_

Customer Approval :

2010.11.30

东莞市大普通信技术有限公司

Dongguan DAPU Telecom Technology co.,Ltd

市场/SALE DEPARTMENT

TEL: 0769-81800088

FAX: 0769-81800098

URL [HTTP://www.dptel.com](http://www.dptel.com)

Date : \_\_\_\_\_

Approved By: \_\_\_\_\_

品保部/QUALITY ASSURANCE DEPT

TEL:0769-81800088-833

Checked By: \_\_\_\_\_

研发部/R&D DEPT.

TEL:0769-81800088-828

Designer : \_\_\_\_\_



## 1、 Scope:

- 1.1 Description: SMD Crystal Oscillator
- 1.2 Center Frequency: 155.52MHz
- 1.3 Dimension & Drawing No: OS70506A-AEAN-155.52MHz

## 2、 Construction:

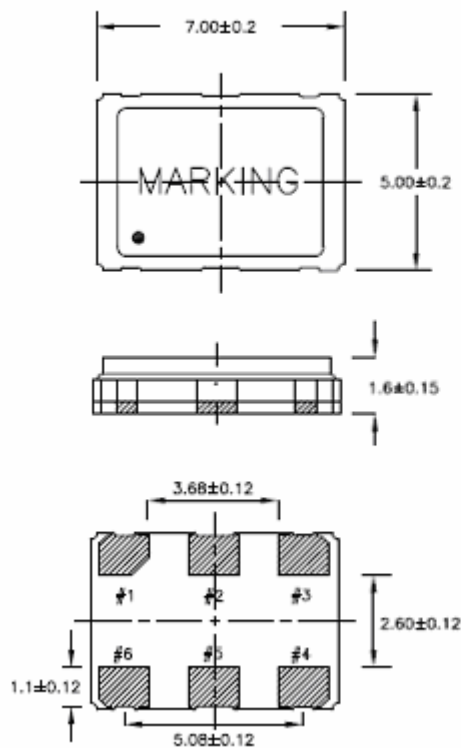
- 2.1 Oscillators series: SMD7×5 XO

## 3、 Electrical Characteristics

- 3.1 Nominal Frequency: 155.52MHz
- 3.2 Frequency Stability:  $\leq \pm 30\text{ppm}$  @ Include Freq. Tolerance, Temp., Supply voltage, Load.
- 3.3 Aging:  $\leq \pm 3\text{ppm/year}$  @ at 25°C  $\pm 5^\circ\text{C}$
- 3.4 Operating Temperature Range: 0°C to +70°C
- 3.5 Storage Temperature Range: -55°C to +125°C
- 3.6 Input Voltage: +3.3VDC  $\pm 5\%$
- 3.7 Current Consumption:  $\leq 100\text{mA}$
- 3.8 Output Waveform: PECL
- 3.9 Output Symmetry: 45% ~ 55% @ 1.65V
- 3.10 Rise/Fall Time:  $\leq 0.5\text{ns}$  @ 20% ~ 80% of wave
- 3.11 Output Voltage  $V_{OL}$ :  $\leq 1.68\text{V}$   
 $V_{OH}$ :  $\geq 2.275\text{V}$
- 3.12 Output Load: 47.5Ω ~ 52.5Ω
- 3.13 Tri-state(standby function) 2.97V  $\leq V_{ih} \leq V_{cc}$  @ Enable  
GND  $\leq V_{il} \leq 0.33\text{V}$  @ Disable
- 3.14 Start Time:  $\leq 10\text{ms}$  @ +3.135V
- 3.15 Jitter  $\leq 5\text{ps(rms)}$  @ 12 kHz ~ 20 MHz BW



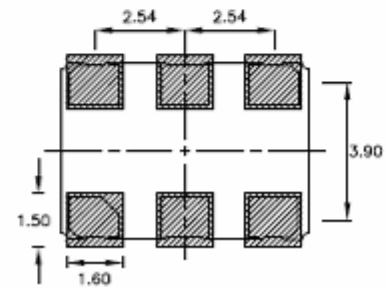
4. Figure



Standard

Terminal	Connection
#1	NC or INH
#2	NC
#3	GND
#4	OUT
#5	OUTN
#6	+Vcc

LAND PATTERN (REFERENCE)



Unit : mm