

Travelling Merchant: _____

DATASHEET

Standard: VC936B-AEAD-61.44MHz

Plot			The Label
Drawing	Auditing	Approve	Stamp, please! Thanks!
Date: 09-09-21			

Dongguan Dapu Telecom Technology Co.,Ltd

No.1 New City Street,Songshan Lake Science Park, Dongguan City,Guangdong province, PRC CHINA

TEL: 0086-0769-81867888 FAX: 0086-0769-81800098



The parameter of product

MODEL: VC936B-AEAD-61.44MHz

1. Output

1.1. Frequency	61.44MHz
1.2. Waveform	LVPECL
1.3. Symmetry	45%~55%
1.4. Rise / Fall time (20%~80%)	1ns max.
1.5. Load	50 Ω to +1.3VDC

2. Frequency Stability

2.1. Tolerance vs. Temperature Rang	$\leq \pm 2.0 \times 10^{-5}$	@ -40°C ~ +85°C ,ref. to 25 °C
2.2. frequency Tolerance	$\leq \pm 1.5 \times 10^{-5}$	@ 25 °C VC=1.65V
2.3. Tolerance vs. Supply Voltage	$\leq \pm 5.0 \times 10^{-6}$	@ 3.3VDC±5%
2.4. Tolerance vs. Load	$\leq \pm 1.0 \times 10^{-6}$	@ Load±10%
2.5. Aging	$\leq \pm 3.0 \times 10^{-6}$ / year	

3. Voltage

3.1. Supply Voltage	+3.3VDC±5%
---------------------	------------

4. Current

4.1. Supply current	55mA (Typical)
---------------------	----------------

5. Electrical frequency adjustment

5.1. Control Voltage = 0.5 V	-60ppm~-160ppm
5.2. Control Voltage = 1.65 V	-15ppm~+15ppm
5.3. Control Voltage = 2.8 V	+60ppm~+160ppm
5.4. Linearity	$\leq \pm 20\%$
5.5. Input impedance	$\geq 1M \Omega$
5.6. Slope	Positive

6. Phase noise(Typical)

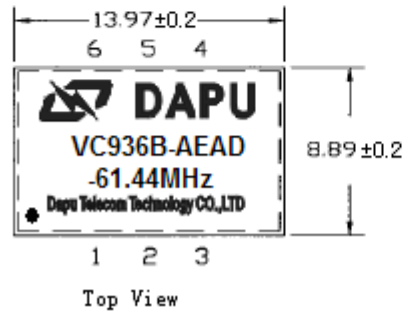
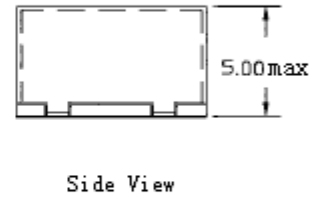
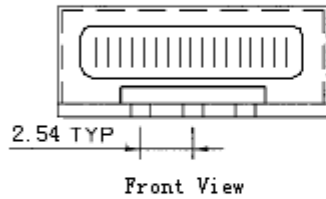
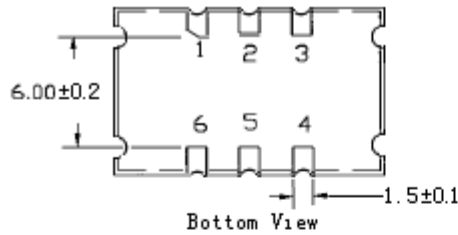
6.1. 10Hz	-75dBc/Hz
6.2. 100Hz	-105dBc/Hz
6.3. 1 KHz	-130dBc/Hz
6.4. 1 0KHz	-138dBc/Hz
6.5. 1 00KHz	-140dBc/Hz
6.6. 1 MHz	-145dBc/Hz

7. Temperature

7.1. Operable temperature range	-40°C to +85°C
7.2. Storage temperature range	-55°C to +125°C



8. Mechanical



PIN FUNCTION

1	VOLTAGE CONTROL
2	E/D
3	GND
4	OUTPUT
5	OUTPUT
6	V _{CC}

Unit: mm

Note: Enable/ Disable

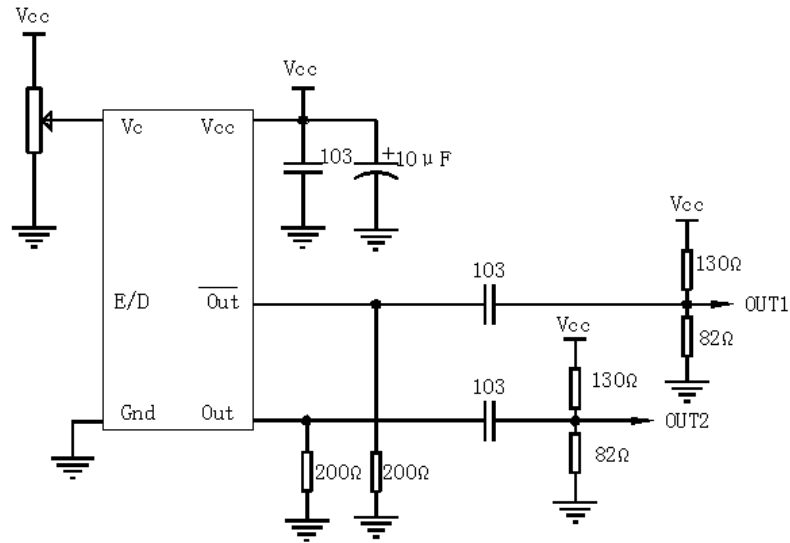
Input Level: $V_{ih} \geq V_{CC} - 1.025V$

$V_{il} \leq V_{CC} - 1.62V$

E/D	OUT1	OUT2
Low Level, Open	Data	Data
High Level	Logic low	Logic high



9. Suggested output load configuration



10. Recommended Reflow Profile(RoHS)

