

Travelling Merchant: \_\_\_\_\_

# DATASHEET

Standard: DP9B26000005

Plot			The Label
Drew	Audited	Approved	Stamp, please! Thanks!
Date: 2012.07.03			

**Guangdong Dapu Telecom Technology Co.,Ltd**

Bldg13-16,.N.Ind.Zone,SSL Industry Park, Dongguan City, Guangdong Province, China

TEL: 0086-0769-88010888 FAX: 0086-0769-81800098

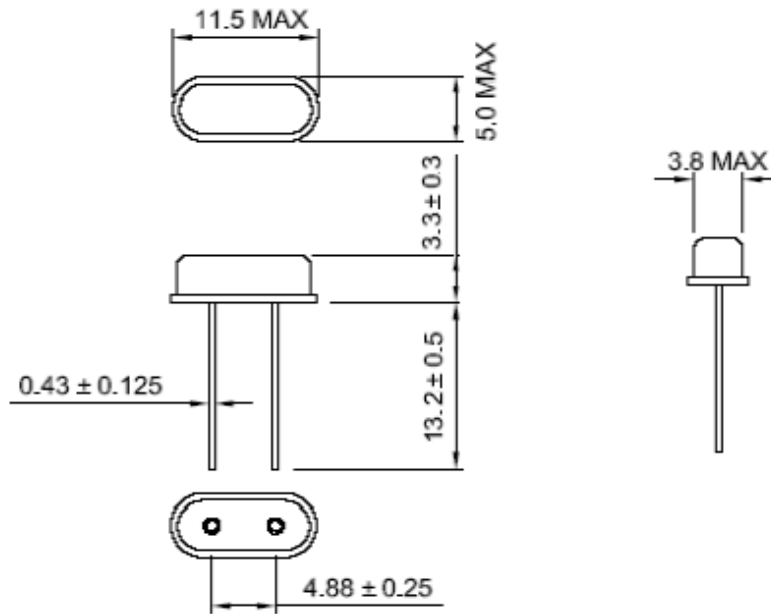


## 1. Electrical Parameters

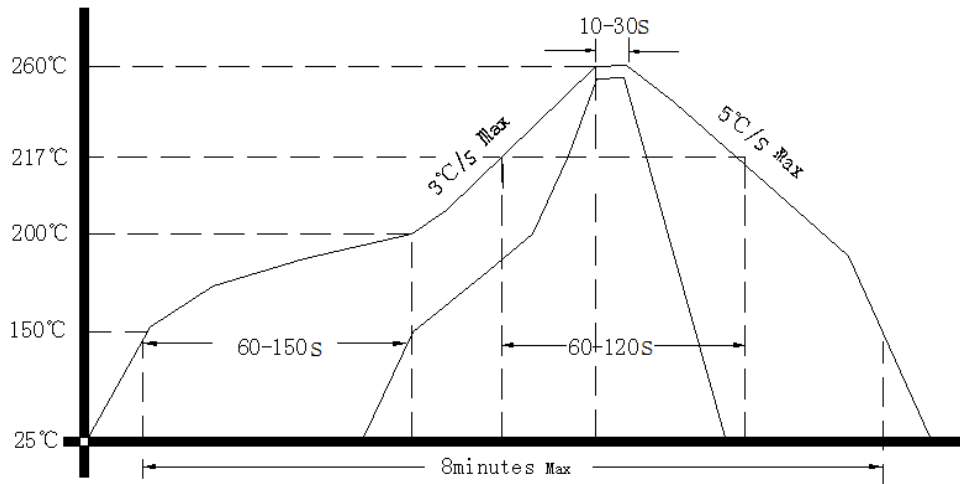
MODEL: DP9B2600005							
No.	Parameters	SYM.	Electrical Spec.				Notes
			Min.	Typ.	Max.	Units	
1	Nominal Frequency	FL	26.000			MHz	
2	Oscillation Mode	-	Fundamental			-	
3	Load Capacitance	CL	16			pF	
4	Frequency Tolerance	-	-10	-	+10	$\times 10^{-6}$	at 25°C± 2°C
5	Tolerance over the Temperature Range	-	-10	-	+10	$\times 10^{-6}$	Over Operating Temp. Range (Reference 25°C)
6	Operating Temperature Range	-	-40	~	+85	°C	
7	Storage Temperature	-	-40	~	+85	°C	
8	Aging	-	-3	-	+3	$\times 10^{-6}$	1st Year
9	Drive Level	DL	-	100	-	uW	
10	Effective Series Resistance	ESR	-	-	40	$\Omega$	
11	Shunt Capacitance C0	C0	1	-	5	pF	
12	Insulation Resistance		500			M $\Omega$	at DC 100V
13	ESD Level	Human Body Model,class2: 2000V to 4000V; ANSI/ESDA/JEDEC JS-001-2010.					
14		Machine Model, class B: 200V to 400V; ANSI/ESDA/JEDEC JS-001-2010.					
15	Moisture Sensitivity Level	Not humidity sensitive.					
16	Vibration	Test Condition: 0.75mm ;acceleration:10g;10Hz~2000Hz, one cycle per 30 min, test 2 hour. (3 times for each 3 directions X , Y , Z ).IEC 68-2-06 Test Fc.					
17	Shock	100g; 6ms; half sine wave (3 times for each 3 directions X , Y , Z ),IEC 68-2-27 Test Ea/Severity 50A.					



## 2. Mechanical Structure (mm)



## 3. Reflow Soldering Curve (RoHS)



## 4. Package

