

Travelling Merchant: \_\_\_\_\_

# DATASHEET

Standard:     **T11A-R419-50.00MHz**    

P/N: \_\_\_\_\_

| Plot             |         |          | The Label              |
|------------------|---------|----------|------------------------|
| Drew             | Audited | Approved | Stamp, please! Thanks! |
|                  |         |          |                        |
| Date: 2013.06.25 |         |          |                        |

## Guangdong Dapu Telecom Technology Co.,Ltd

Bldg13-16,.N.Ind.Zone,SSL Industry Park, Dongguan City, Guangdong Province, China

TEL: 0086-0769-88010888 FAX: 0086-0769-81800098



### Table of amendment

| Version | Revision contents | Prepared by  | Revised date |
|---------|-------------------|--------------|--------------|
| 1.0     | The first issued  | <i>Amway</i> | 2013.06.25   |
|         |                   |              |              |
|         |                   |              |              |
|         |                   |              |              |
|         |                   |              |              |
|         |                   |              |              |
|         |                   |              |              |
|         |                   |              |              |
|         |                   |              |              |
|         |                   |              |              |
|         |                   |              |              |
|         |                   |              |              |
|         |                   |              |              |
|         |                   |              |              |
|         |                   |              |              |
|         |                   |              |              |
|         |                   |              |              |
|         |                   |              |              |

DAPU

Confidential



## 1. Electrical Parameters

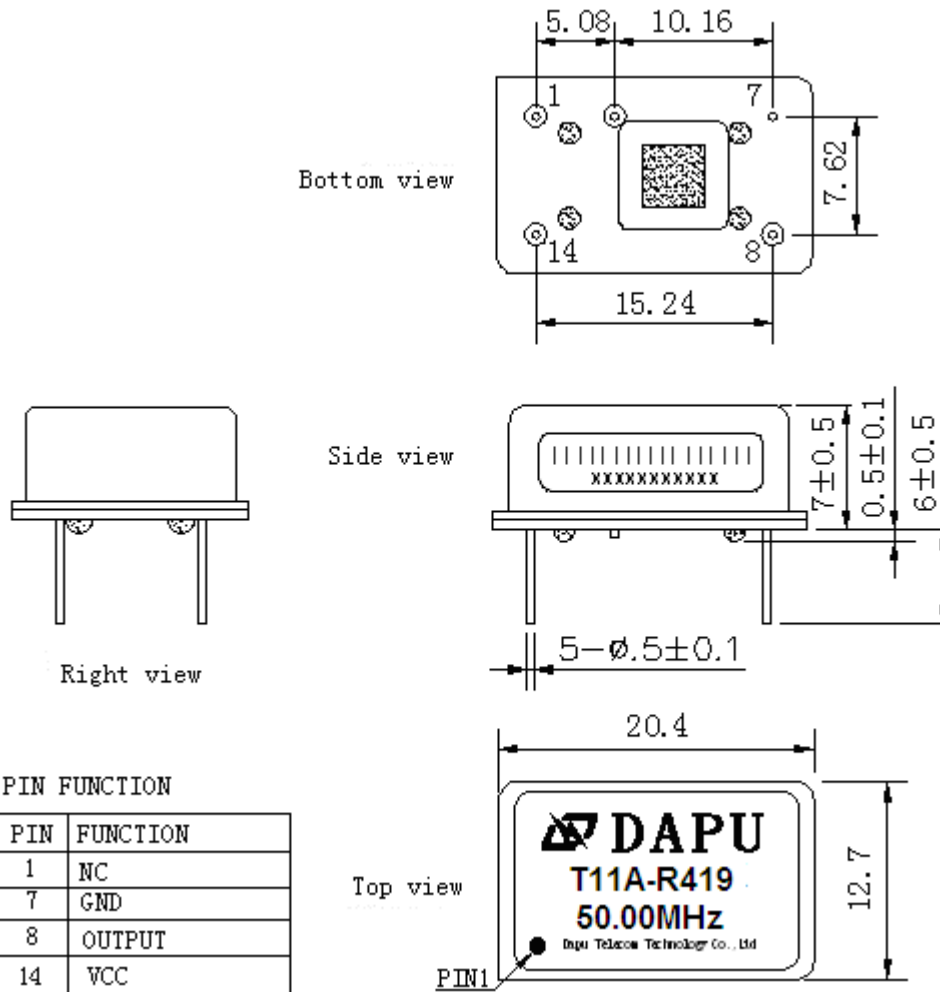
| MODEL: T11A-R419-50.00MHz |   |            |      |       |                  |  |
|---------------------------|---|------------|------|-------|------------------|--|
| Item                      | Description   | Parameters |      |       | Unit             | Test Condition   |
|                           |   | Min.       | Typ. | Max.  |                  |  |
| Output                    | Frequency   | 50.00      |      |       | MHz              |  |
|                           | Output Waveform                                     | Sine Wave  |      |       |                  |  |
|                           | Level   | 5          |      |       | dBm              |  |
|                           | Harmonics Suppression                               |            |      | -30   | dBc              |  |
|                           | Spurious Suppression                                |            |      | -60   | dBc              |  |
|                           | Load  | 50         |      |       | $\Omega$         |  |
| Frequency Stabilities     | Frequency Tolerance vs. Operating Temperature Range | -0.5       |      | +0.5  | $\times 10^{-6}$ | $T_A$ varied from $-30^{\circ}\text{C}$ to $75^{\circ}\text{C}$ , measurement referenced to frequency observed with $T_A = 25^{\circ}\text{C}$ , $V_{cc}=3.3\text{V}$ , $O_{load}=50\Omega$ , temperature variable speed less than $2^{\circ}\text{C}$ per minute. |
|                           | Initial Frequency Tolerance                         | -1         |      | +1    | $\times 10^{-6}$ | Measurement referenced to frequency observed with $T_A=25^{\circ}\text{C}$ , $V_{cc}=3.3\text{V}$ within 30 days after ex-works.   |
|                           | Frequency Tolerance vs. Supply Voltage              | -0.05      |      | +0.05 | $\times 10^{-6}$ | measurement referenced to frequency observed $T_A=25^{\circ}\text{C}$ , $V_{cc}$ varied from 3.13V to 3.47V, and $O_{Load}=50\Omega$ .   |
|                           | Frequency Tolerance vs. Load                        | -0.05      |      | +0.05 | $\times 10^{-6}$ | 5% load change measurement referenced to frequency observed with $T_A=25^{\circ}\text{C}$ , $V_{cc}=3.3\text{V}$ , $O_{Load}=50\Omega$ .   |
|                           | Aging Tolerance Per Day                             | -0.02      |      | +0.02 | $\times 10^{-6}$ | $T_A=25^{\circ}\text{C}$ , $V_{cc}=3.3\text{V}$ , and after 1h of operation.   |
|                           | Aging Tolerance 1 Year                              | -1         |      | +1    | $\times 10^{-6}$ |  |
| Power Supply              | Current Consumption                                 |            | 7    |       | mA               | @ $25^{\circ}\text{C}$ , $V_{cc}=3.3\text{V}$ , $O_{load}=50\Omega$ .  |
|                           | Supply Voltage                                      | 3.13       | 3.3  | 3.47  | V                |  |



|                             |   |  |      |      |        |        |
|-----------------------------|---|--|------|------|--------|--------|
| Phase Noise                 | Phase Noise   |  | -80  | -75  | dBc/Hz | 10Hz   |
|                             |   |  | -110 | -105 |        | 100Hz  |
|                             |   |  | -120 | -115 |        | 1KHz   |
|                             |   |  | -140 | -135 |        | 10KHz  |
|                             |   |  | -143 | -138 |        | 100KHz |
| Environmental<br>Conditions | Operable<br>Temperature   | -30  |      | +75  | °C     |        |
|                             | Storage<br>Temperature  | -55  |      | +105 | °C     |        |
|                             | ESD Level   | Human Body Model, class2: 2000V to 4000V; ANSI/ESDA/JEDEC JS-001-2010.   |      |      |        |        |
|                             |   | Machine Model, class B: 200V to 400V; ANSI/ESDA/JEDEC JS-001-2010.   |      |      |        |        |
|                             | Moisture<br>Sensitivity Level   | Not humidity sensitive.  |      |      |        |        |
|                             | Vibration   | Test Condition: 0.75mm ;acceleration:10g;10Hz~2000Hz, one cycle per 30 min,<br>test 2 hour. (3 times for each 3 directions X ,Y , Z ).IEC 68-2-06 Test Fc. |      |      |        |        |
| Shock                       | 100g; 6ms; half sine wave (3 times for each 3 directions X ,Y, Z ),IEC 68-2-27 Test<br>Ea/Severity 50A. |  |      |      |        |        |



## 2. Mechanical Structure(mm)

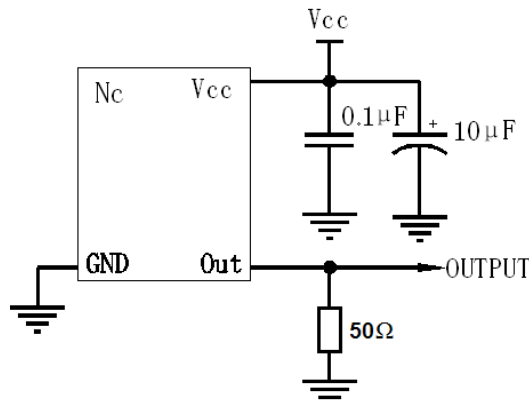


**Note1:** Tolerance  $\pm 0.2\text{mm}$  without mark

**Note2:** Referential Weight 3.8g

**Note3:** NC is not connect

## 3. Test circuit





#### 4. Reflow Soldering Curve (RoHS)



#### 5. Package: PVC Tube,10pcs (mm)

