

Travelling Merchant: _____

DATASHEET

Standard: OS756-C719-125.00MHz

P/N: _____

Plot			The Label
Drew	Audited	Approved	Stamp, please! Thanks!
Date: 2011.02.08			

Guangdong Dapu Telecom Technology Co.,Ltd

Bldg13-16,.N.Ind.Zone,SSL Industry Park, Dongguan City, Guangdong Province, China

TEL: 0086-0769-88010888 FAX: 0086-0769-81800098



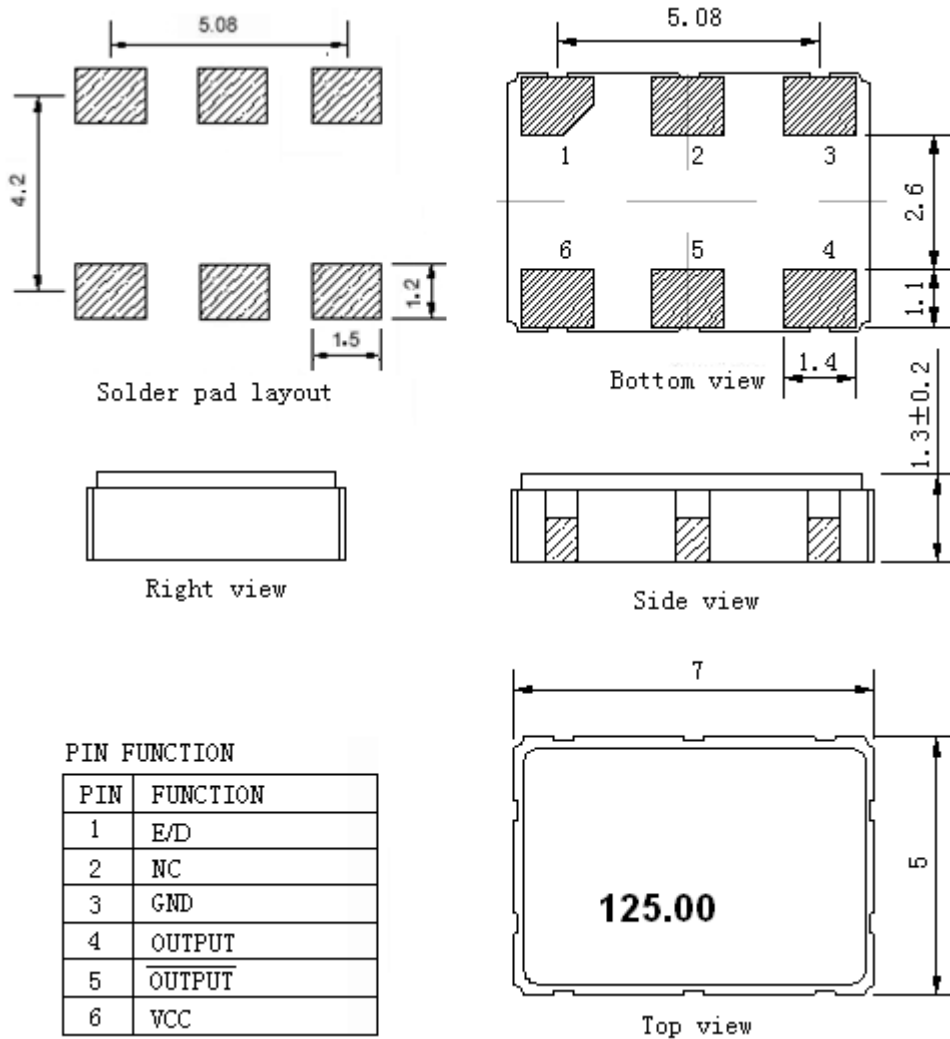
1. Electrical Parameters

MODEL: OS756-C719-125.00MHz						
Item	Description	Parameters			Unit	Test Condition
		Min.	Typ.	Max.		
Output	Frequency	125.00			MHz	
	Output Waveform	LVDS				
	Voltage Swing (Vod)		350		mV	
	Duty Cycle	45	50	55	%	@50%
	Rise / Fall Time (20%~80%)			1	ns	@25°C
	Load	100			Ω	
	Jitter			1	ps	RMS (12KHz ~20MHz)
Frequency Stabilities	Frequency Tolerance vs. Operating Temperature Range	-50		+50	ppm	T _A varied from -40°C to 85°C, measurement referenced to frequency observed with T _A =25°C, V _{cc} =3.3V, O _{load} =100Ω, temperature variable speed less than 2°C per minute.
	Initial Frequency Tolerance	-20		+20	ppm	Measurement referenced to frequency observed with T _A = 25°C, V _{cc} = 3.3V within 30 days after ex-works.
	Frequency Tolerance vs. Supply Voltage	-5		+5	ppm	measurement referenced to frequency observed T _A =25°C, V _{cc} varied from 3.13V to 3.47V, and O _{Load} =100Ω.
	Frequency Tolerance vs. Load	-3		+3	ppm	5% load change measurement referenced to frequency observed with T _A =25°C, V _{cc} =3.3V, and O _{Load} =100Ω.
	Aging Tolerance 1 Year	-5		+5	ppm	T _A =25°C, V _{cc} =3.3V, and after 1h of operation.
Power Supply	Current Consumption			70	mA	@25°C, O _{Load} =100Ω.
	Supply Voltage	3.13	3.3	3.47	V	
Environmental Conditions	Operable Temperature	-40		+85	°C	
	Storage Temperature	-55		+105	°C	
	ESD Level	Human Body Model, class2: 2000V to 4000V; ANSI/ESDA/JEDEC JS-001-2010. Machine Model, class B: 200V to 400V; ANSI/ESDA/JEDEC JS-001-2010.				



Moisture Sensitivity Level	Level 2.
Vibration	Test Condition: 0.75mm ;acceleration:10g;10Hz~2000Hz, one cycle per 30 min, test 2 hour. (3 times for each 3 directions X , Y , Z), IEC 68-2-06 Test Fc.
Shock	100g; 6ms; half sine wave (3 times for each 3 directions X , Y , Z),IEC 68-2-27 Test Ea/Severity 50A.

2. Mechanical Structure (mm)



PIN FUNCTION

PIN	FUNCTION
1	E/D
2	NC
3	GND
4	OUTPUT
5	OUTPUT
6	VCC

Note1: Tolerance ±0.1mm without mark

Note2: Referential Weight 0.2g

Note3: NC is not connect

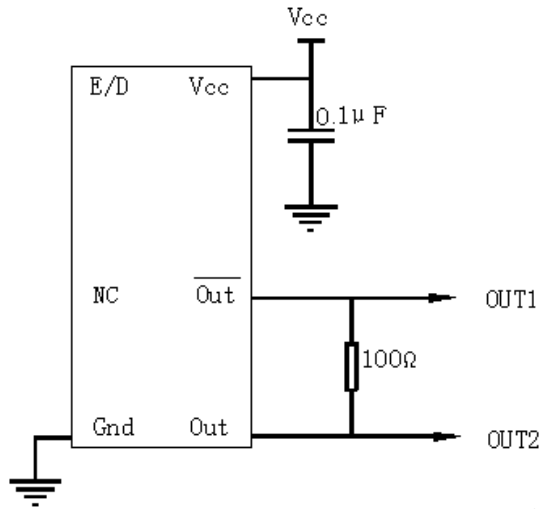
Note4: Enable: $V_{ih} \geq V_{CC} - 1.025V$

Disable: $V_{il} \leq V_{CC} - 2.0V$

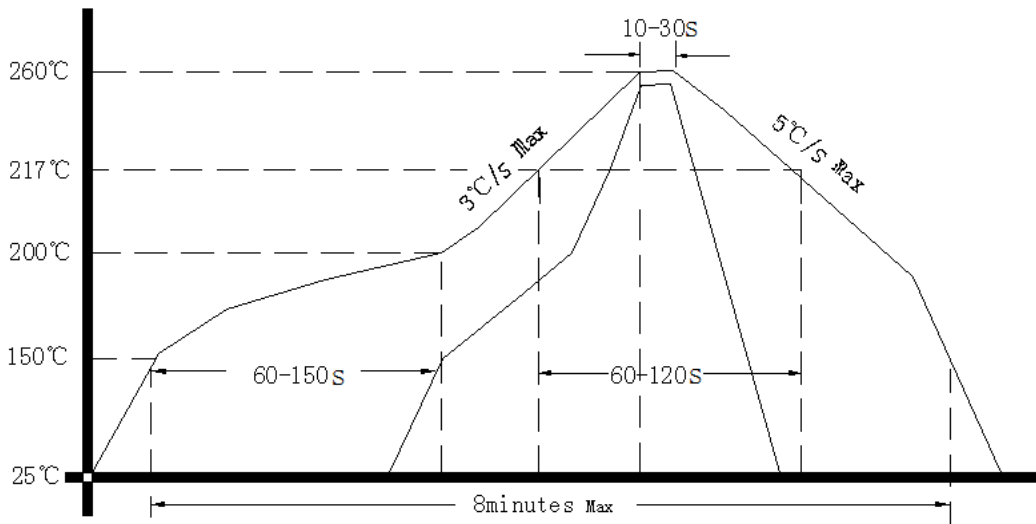
E/D	OUT1	OUT2
high level, open	data	data
low level	no data	no data



3. Test Circuit



4. Reflow Soldering Curve (RoHS)



6. Package: Tape & Reel (mm)

