

Travelling Merchant: \_\_\_\_\_

# DATASHEET

Standard: DP9B27000005

Plot			The Label
Drew	Audited	Approved	Stamp, please! Thanks!
Date: 2013.07.19			

## Guangdong Dapu Telecom Technology Co.,Ltd

Bldg13-16,.N.Ind.Zone,SSL Industry Park, Dongguan City, Guangdong Province, China

TEL: 0086-0769-88010888 FAX: 0086-0769-81800098

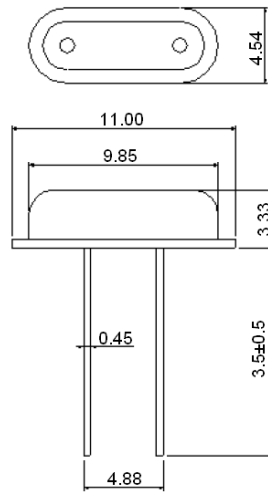


## 1. Electrical Parameters

MODEL: DP9B27000005							
No.	Parameters	SYM.	Electrical Spec.				Notes
			Min.	Typ.	Max.	Units	
1	Nominal Frequency	FL	27.00			MHz	
2	Oscillation Mode	-	Fundamental			-	
3	Load Capacitance	CL	20			pF	
4	Frequency Tolerance	-	-20	-	+20	$\times 10^{-6}$	at 25°C± 2°C
5	Operating Temperature Range	-	-20	~	+70	°C	
6	Storage Temperature	-	-40	~	+85	°C	
7	Aging	-	-3	-	+3	$\times 10^{-6}$	1st Year
8	Drive Level	DL	-	100	-	uW	
9	Effective Series Resistance	ESR	-	-	40	$\Omega$	
10	Shunt Capacitance C0	C0	-	-	5	pF	
11	Insulation Resistance		500			M $\Omega$	at DC 100V
12	ESD Level	Human Body Model,class2: 2000V to 4000V; ANSI/ESDA/JEDEC JS-001-2010.					
		Machine Model, class B: 200V to 400V; ANSI/ESDA/JEDEC JS-001-2010.					
13	Moisture Sensitivity Level	Not humidity sensitive.					
14	Vibration	Test Condition: 0.75mm ;acceleration:10g;10Hz~2000Hz, one cycle per 30 min, test 2 hour. (3 times for each 3 directions X ,Y , Z ) .IEC 68-2-06 Test Fc.					
15	Shock	100g; 6ms; half sine wave (3 times for each 3 directions X ,Y , Z ),IEC 68-2-27 Test Ea/Severity 50A.					

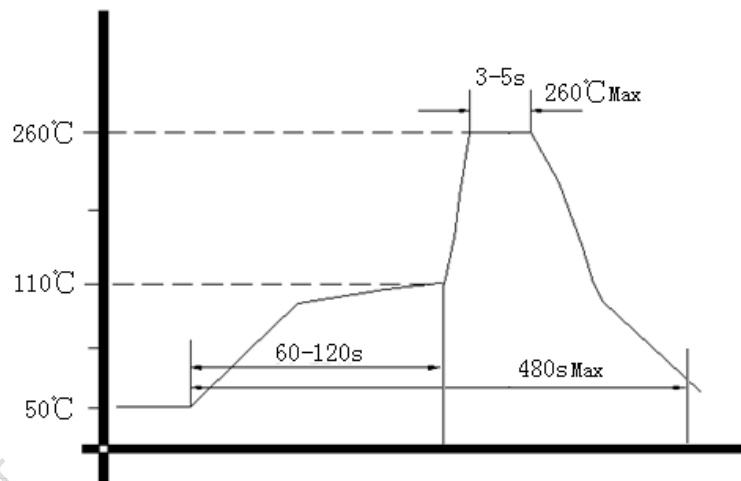


## 2. Mechanical Structure (mm)



Notel: Tolerance  $\pm 0.2\text{mm}$

## 3. Wave Soldering Curve (RoHS)



## 4.Package

