

Travelling Merchant: \_\_\_\_\_

# DATASHEET

Standard: OSC5305W-25.00MHz

Plot			The Label
Drew	Audited	Approved	Stamp, please! Thanks!
Date: 2013.04.12			

## Guangdong Dapu Telecom Technology Co.,Ltd

Bldg13,.N.Ind.Zone,SSL Industry Park, Dongguan City, Guangdong Province, China

TEL: 0086-0769-88010888 FAX: 0086-0769-81800098

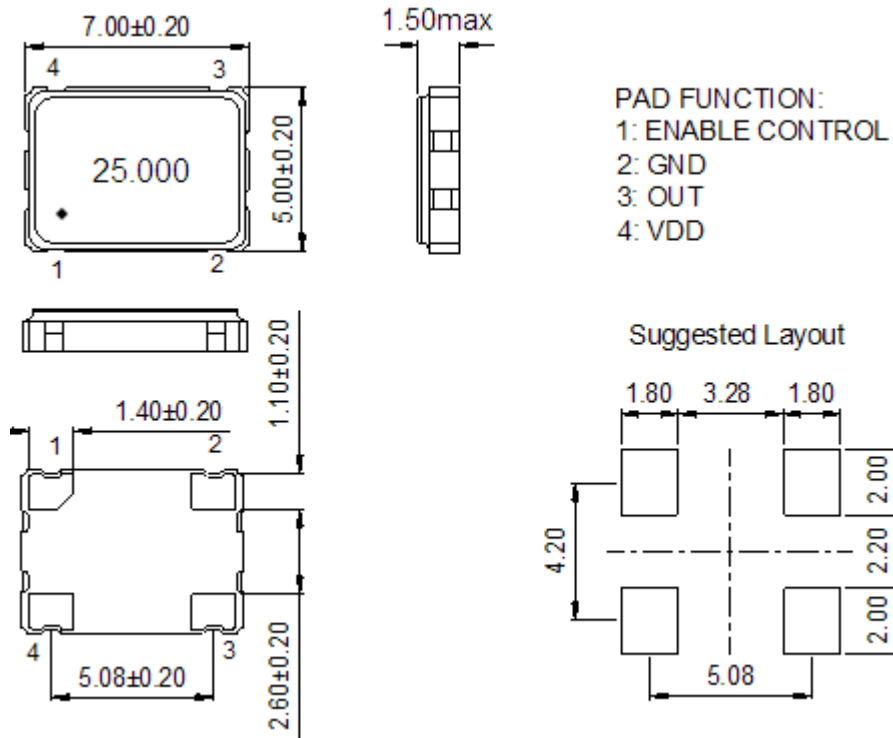


## 1、Electrical Parameters

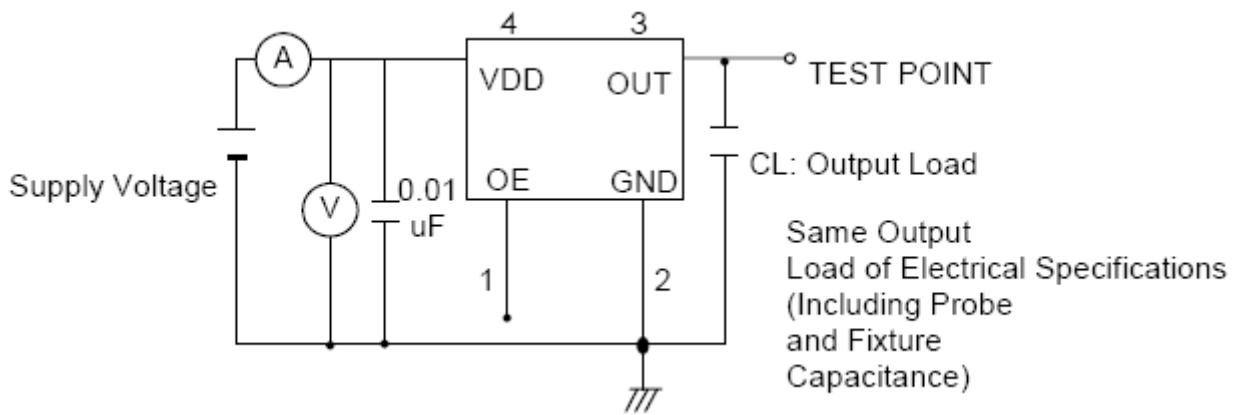
MODEL: OSC5305W-25.00MHz							
No.	Parameters	SYM.	Electrical Spec.				Notes
			Min.	Typ.	Max.	Units	
1	Nominal Frequency	FL	25.00			MHz	
2	Frequency Stability	-	-50		+50	ppm	
3	Operating Temperature	Topr	-40	~	85	°C	
4	Storage Temperature	Tstg	-55	~	125	°C	
5	Supply Voltage	VDD	2.97	3.3	3.63	V	
6	Input Current	Icc	-	-	20	mA	
7	Enable Control	-	Yes			-	Pad 1
8	Output Load: HCMOS	CL	15			pF	
9	Output Voltage High	VoH	0.9VDD	-	-	V	
10	Output Voltage Low	Vol	-	-	0.1VDD	V	
11	Rise Time	Tr	-	-	8	ns	10%-90% VDD Level
12	Fall Time	Tf	-	-	8	ns	90%-10% VDD Level
13	Symmetry (Duty ratio)	TH/T	40	~	60	%	
14	Start-up Time	Tosc	-	-	10	ms	
15	Enable Voltage High	Vhi	80% Vdd	-	-	V	
16	Disable Voltage Low	Vlo	-	-	30% Vdd	V	
17	Aging	-	±5			ppm/yr.	1st. Year at 25°C



## 2、Mechanical Structure(mm)



## 3、Test Diagram



Control input (output enable/disable)

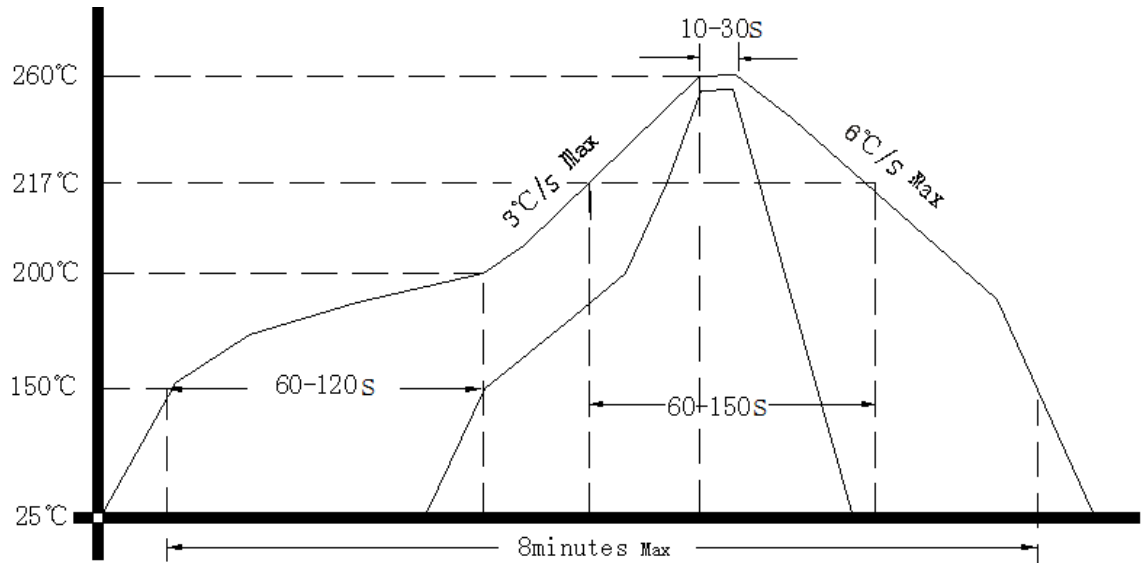
Disable:  $V_{il} \leq 0.1V_{DD}$

Enable:  $V_{ih} \geq 0.9V_{DD}$

E/D	OUT
high level, open	data
low level	no data



#### 4、 Reflow Soldering Curve (RoHS)



#### 5、 Package: Tape & Reel (mm)

