

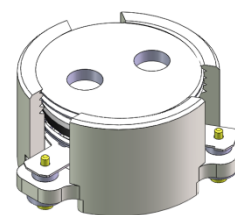


DP0989C

ENG PART:DP-20.4CM-2110T2200-CW

2110MHz to 2200MHz Single-Junction Surface Mount Circulator

REV.	DESCRIPTION	REVISOR	DATE	APPROVED
A	Creating datasheet	ZC.Wu	2022/3/25	Nick

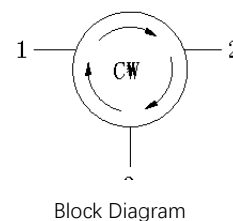


Applications:

- Wireless Infrastructure
- Power Amplifier

Features:

- Operating frequency range: 2110MHz to 2200MHz
- Operating temperature range: -40°C to +130°C
- Storage temperature range: -50°C to +150°C
- Small surface-mount package delivered on T&R
- BeO free & RoHS compliant





Electrical Specifications:

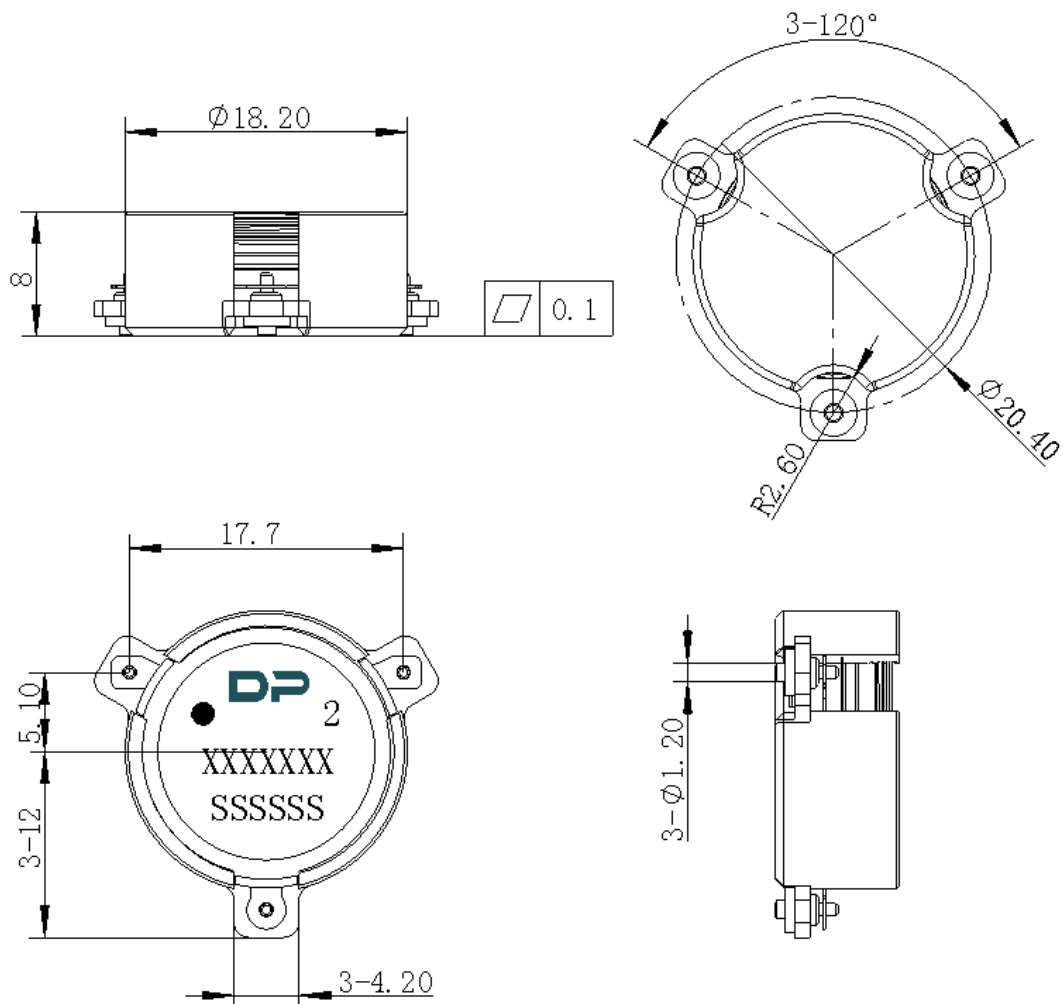
ITEM	SPECIFICATION	
Frequency	2110~2200	MHz
Direction	CW	
Impedance	Typ: 50	Ω
Insertion Loss (Max.)	0.20@25 \pm 5 $^{\circ}$ C 0.25@-40~+130 $^{\circ}$ C	dB
Isolation (Min.)	25@25 \pm 5 $^{\circ}$ C 21@-40~+130 $^{\circ}$ C	dB
Return Loss (Min.)	25@25 \pm 5 $^{\circ}$ C 21@-40~+130 $^{\circ}$ C	dB
3rd IMD (Max.)	-65@2x50W, Spacing 5MHz	dBc
Group delay	/	ns
2nd harmonic	10	dB
3rd harmonic	5	dB
Harmonics	-50@2x TX 100W CW -60@3x TX 100W CW	dBc
Power FWD/REV/PEAK	120/120/1200	W
Impedance	Re:44~56 Im:-6j~+6j	Ω
No resonance point	1910-2400MHz	-

Notes:

1. Exposure to maximum rating conditions for extended periods may reduce device reliability. There is no damage to device with only one parameter set at the limit and all other parameters set at or below their nominal value. Exceeding any of the limits listed here may result in permanent damage to the device.
2. Performance is guaranteed under the conditions listed in this table and over the operating temperature range.



Mechanical Specifications:



Unit: Millimeters

Notes:

1. The housing and pins are silver-plated.
2. Tolerance ± 0.2 mm unless otherwise specified.
3. Co-planarity Specification: 0.1 mm maximum.
4. Part Number, Lot Code, and Port Designation are printed on the top side of device.
5. The XXXXXXXX on the label represents the part number
6. The SSSSSS on the label represents the serial number
7. The black dots represent the input port.