

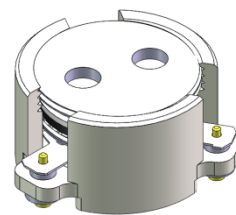


DP0988C

ENG PART: DP-20.4CM-1930T1995-CCW

1930MHz to 1995MHz Single-Junction Surface Mount Circulator

REV.	DESCRIPTION	REVISOR	DATE	APPROVED
A	Creating datasheet	ZC.Wu	2022/3/23	Nick

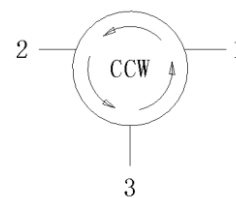


Applications:

- Wireless Infrastructure
- Power Amplifier

Features:

- Operating frequency range: 1930MHz to 1995MHz
- Operating temperature range: -40°C to +130°C
- Storage temperature range: -50°C to +150°C
- Small surface-mount package delivered on T&R
- BeO free & RoHS compliant



Block Diagram



Electrical Specifications:

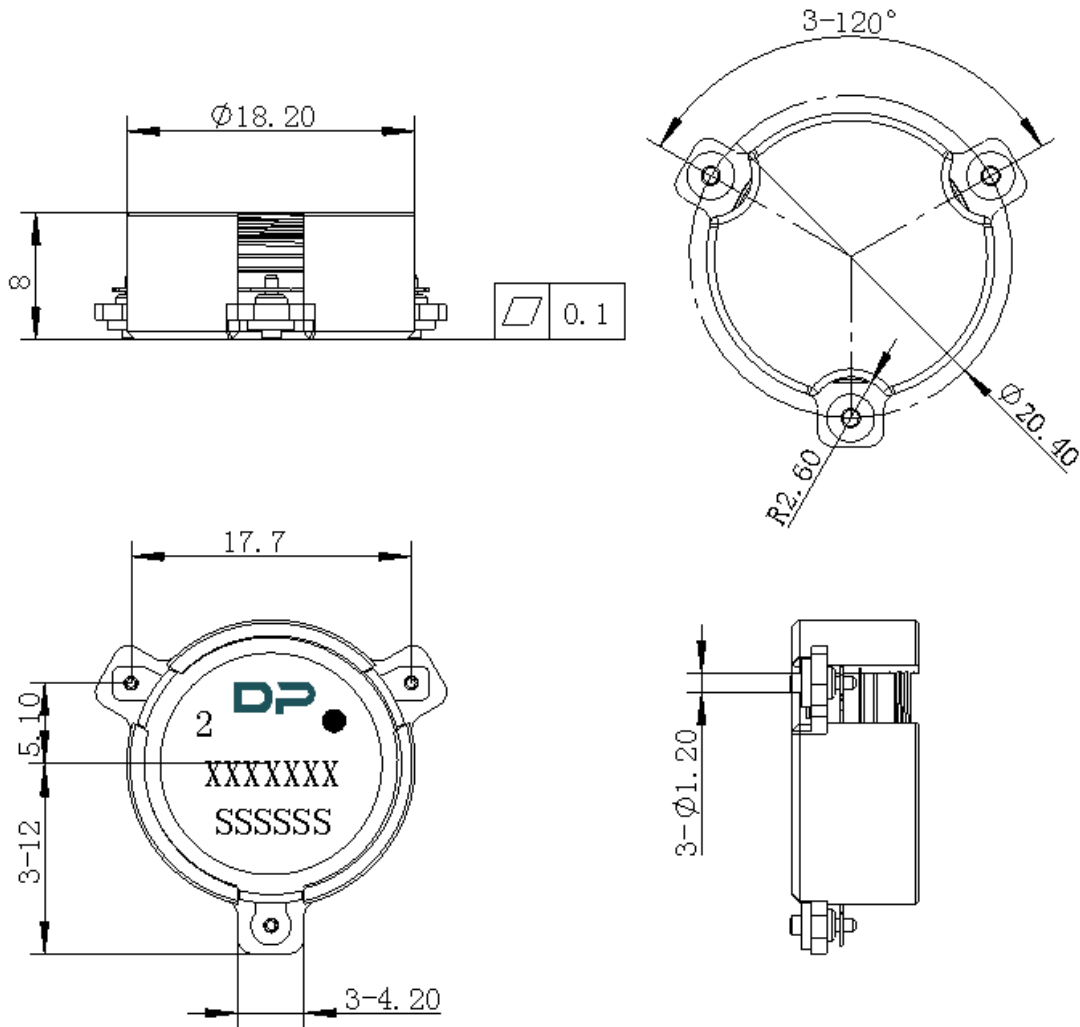
ITEM	SPECIFICATION	
Frequency	1930~1995	MHz
Direction	CCW	
Impedance	Typ: 50	Ω
Insertion Loss (Max.)	0.20@25±5℃ 0.25@-40~+130℃	dB
Isolation (Min.)	25@25±5℃ 21@-40~+130℃	dB
Return Loss (Min.)	25@25±5℃ 21@-40~+130℃	dB
3rd IMD (Max.)	-65@2x50W,Spacing 5MHz	dBc
Group delay	/	ns
2nd harmonic	10	dB
3rd harmonic	5	dB
Harmonics	-50@2x TX 100W CW -60@3x TX 100W CW	dBc
Power FWD/REV/PEAK	120/120/1200	W
Impedance	Re:44~56 Im:-6j~+6j	Ω
No resonance point	1730-2195	-

Notes:

1. Exposure to maximum rating conditions for extended periods may reduce device reliability. There is no damage to device with only one parameter set at the limit and all other parameters set at or below their nominal value. Exceeding any of the limits listed here may result in permanent damage to the device.
2. Performance is guaranteed under the conditions listed in this table and over the operating temperature range.



Mechanical Specifications:



Unit: Millimeters

Notes:

1. The housing and pins are silver-plated.
2. Tolerance $\pm 0.2\text{mm}$ unless otherwise specified.
3. Co-planarity Specification: 0.1mm maximum.
4. Part Number, Lot Code, and Port Designation are printed on the top side of device.
5. The **XXXXXXX** on the label represents the part number
6. The **SSSSSS** on the label represents the serial number
7. The black dots represent the input port.