

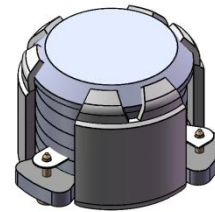


DP0873C

ENG PART:DP-7.0CM-3450T3700-CW

3450MHz to 3700MHz Single-Junction Surface Mount Circulator

| REV. | DESCRIPTION | REVISOR | DATE | APPROVED |
|------|--------------------|---------|----------|----------|
| A | Creating datasheet | ZC.Wu | 2022/2/9 | Nick |

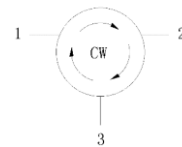


Applications:

- Wireless Infrastructure
- Power Amplifier

Features:

- Operating frequency range: 3450MHz to 3700MHz
- Operating temperature range: -40°C to +100°C
- Storage temperature range: -40°C to +125°C
- Small surface-mount package delivered on T&R
- BeOfree & RoHS compliant



Block Diagram



Electrical Specifications:

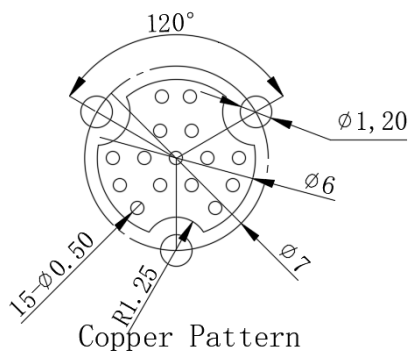
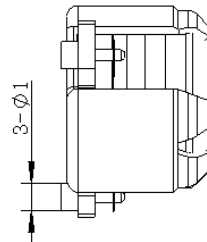
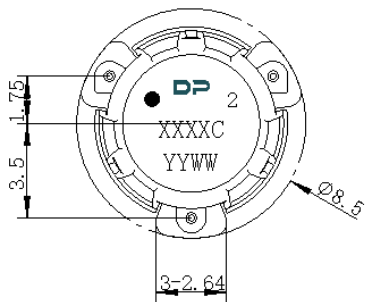
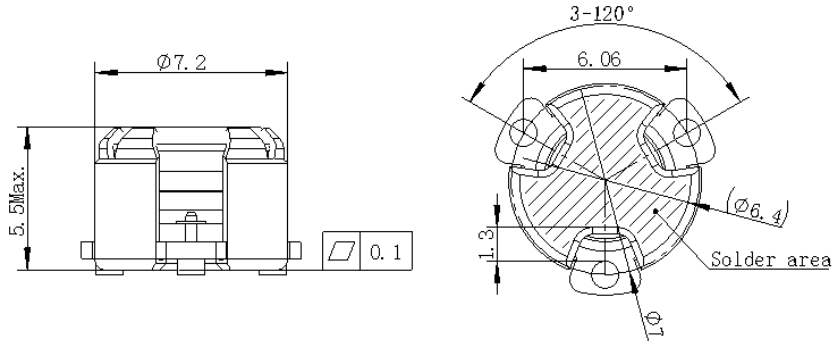
| ITEM | SPECIFICATION | |
|--------------------------|--|----------|
| Frequency | 3450~3700 | MHz |
| Direction | CW | |
| Impedance | Typ: 50 | Ω |
| Insertion Loss (Max.) | 0.33@25°C \pm 10°C 0.38@-40°C to +100°C | dB |
| Isolation (Min.) | 20@25°C \pm 10°C 18@-40°C to +100°C | dB |
| Return Loss (Min.) | 20@25°C \pm 10°C 18@-40°C to +100°C | dB |
| 3rd IMD (Max.) | -60@2x37dBm CW tones, 1MHz spacing | dBc |
| Group delay | / | ns |
| 2nd harmonic attenuation | / | dB |
| 3rd harmonic attenuation | / | dB |
| Power FWD/REV/PEAK | 30/30/200 | W |
| Termination/Attenuator | / | W/dB |

Notes:

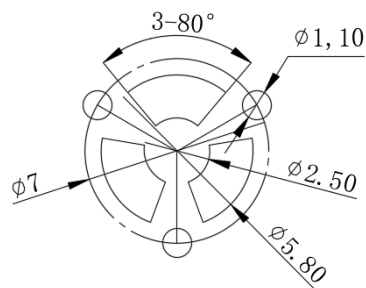
1. Exposure to maximum rating conditions for extended periods may reduce device reliability. There is no damage to device with only one parameter set at the limit and all other parameters set at or below their nominal value. Exceeding any of the limits listed here may result in permanent damage to the device.
2. Performance is guaranteed under the conditions listed in this table and over the operating temperature range.



Mechanical Specifications:



Copper Pattern



Soldermask Pattern

Unit: Millimeters

Notes:

1. The housing and pins are silver-plated.
2. Tolerance $\pm 0.2\text{mm}$ unless otherwise specified.
3. Co-planarity Specification: 0.1mm maximum.
4. Part Number, Lot Code, and Port Designation are printed on the top side of device
5. The **XXXXC** on the label represents the last five digits of the Part Number.
6. Date code is in format **YYWW**
7. The black dot on the label represents the input port



Packaging Style:

| ITEM | W | A0 | B0 | C0 | K0 | D | E | F | F2 | P | P0 | P2 | T |
|------|------|------|------|------|------|------|------|-------|------|------|------|------|-------|
| DIM | 24 | Φ7.4 | 9.2 | 2.7 | 6.0 | Φ1.5 | 1.75 | 11.5 | - | 20 | 4 | 2 | 0.5 |
| TOLE | ±0.2 | ±0.2 | ±0.2 | ±0.2 | ±0.2 | +0.1 | ±0.1 | ±0.15 | ±0.1 | ±0.1 | ±0.1 | ±0.1 | ±0.05 |

