

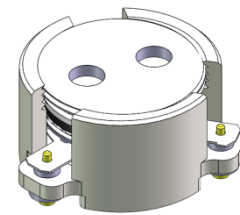


DP0736C

ENG PART:DP-20.4CM-3300T3800-CCW

3300MHz to 3800MHz Single-Junction Surface Mount Circulator

| REV. | DESCRIPTION | REVISOR | DATE | APPROVED |
|------|--------------------|---------|-----------|----------|
| A | Creating datasheet | ZC.Wu | 2022/1/17 | Nick |
| B | Update the spec. | ZC.Wu | 2022/1/17 | Nick |

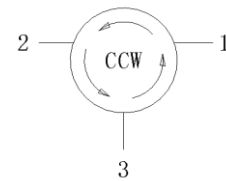


Applications:

- Wireless Infrastructure
- Power Amplifier

Features:

- Operating frequency range: 3300MHz to 3800MHz
- Operating temperature range: -40°C to +85°C
- Storage temperature range: -40°C to +95°C
- Small surface-mount package delivered on T&R
- BeO free & RoHS compliant



Block Diagram



Electrical Specifications:

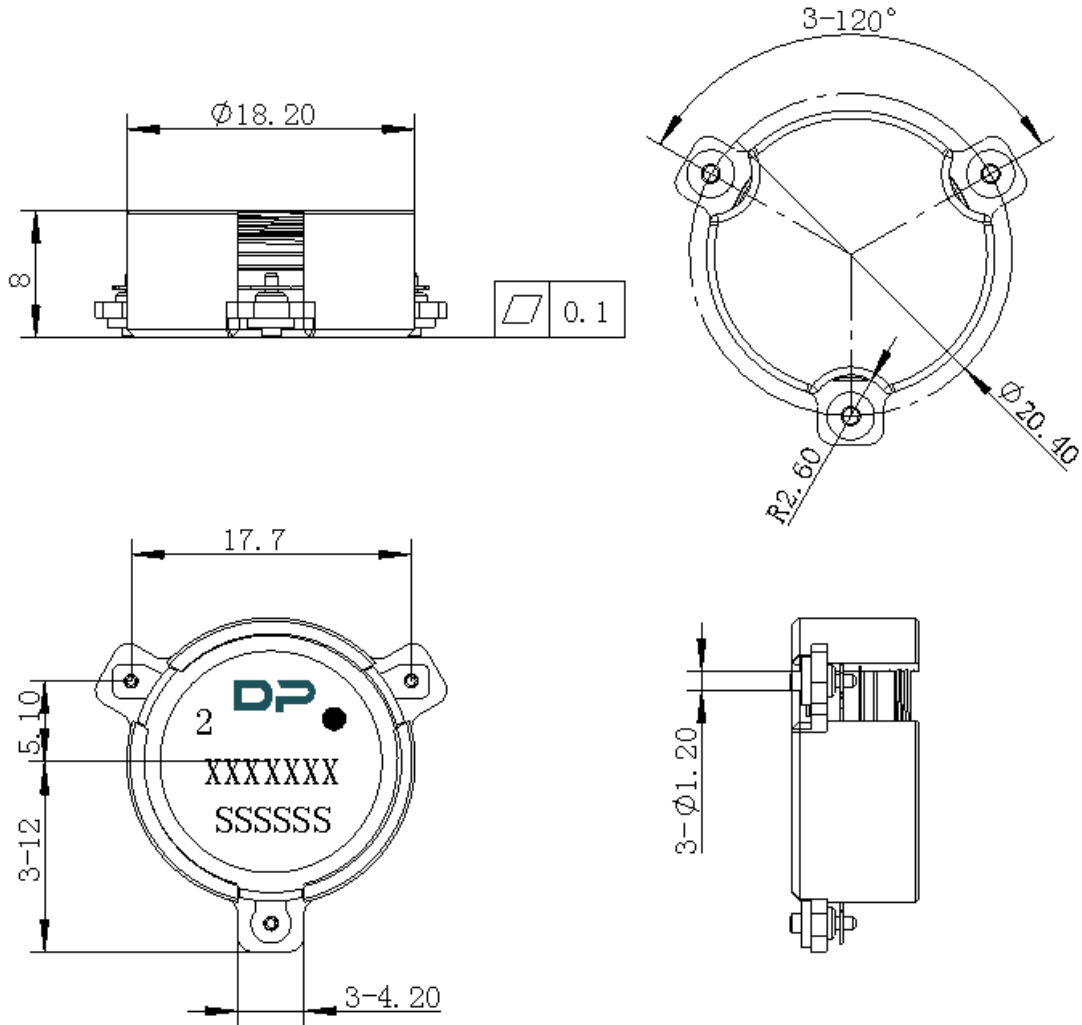
| ITEM | SPECIFICATION | |
|-------------------------------|---|----------|
| Frequency | 3300~3800 | MHz |
| Direction | CCW | |
| Impedance | Typ: 50 | Ω |
| Insertion Loss (Max.) | 0.35@25°C \pm 5°C 0.40@-40°C~+85°C | dB |
| Isolation (Min.) | 20@25°C \pm 5°C 18@-40°C~+85°C | dB |
| Return Loss (Min.) | 20@25°C \pm 5°C 18@-40°C~+85°C | dB |
| 3rd IMD (Max.) | / | dBc |
| Extend frequency | / | MHz |
| Group delay | / | ns |
| Isolation of extend frequency | / | dB |
| 2nd harmonic | / | dBc |
| 3rd harmonic | / | dBc |
| Power FWD/REV/PEAK | 100/100/1000 | W |
| Termination/Attenuator | / | W/dB |

Notes:

1. Exposure to maximum rating conditions for extended periods may reduce device reliability. There is no damage to device with only one parameter set at the limit and all other parameters set at or below their nominal value. Exceeding any of the limits listed here may result in permanent damage to the device.
2. Performance is guaranteed under the conditions listed in this table and over the operating temperature range.



Mechanical Specifications:



Unit: Millimeters

Notes:

1. The housing and pins are silver-plated.
2. Tolerance ± 0.2 mm unless otherwise specified.
3. Co-planarity Specification: 0.1mm maximum.
4. Part Number, Lot Code, and Port Designation are printed on the top side of device.
5. The **XXXXXXX** on the label represents the part number
6. The **SSSSSS** on the label represents the serial number



7. The black dots represent the input port.

Packaging Style:

| ITEM | W | A0 | B0 | K0 | D | E | F | F2 | P | P0 | P2 | T |
|------|------|-------|------|------|------|------|-------|------|------|------|------|-------|
| DIM | 44 | Φ18.5 | 23.5 | 8.3 | Φ1.5 | 1.75 | 20.2 | 40.5 | 32 | 4 | 2 | 0.5 |
| TOLE | ±0.3 | ±0.2 | ±0.2 | +0.2 | +0.1 | ±0.1 | ±0.15 | ±0.1 | ±0.1 | ±0.1 | ±0.1 | ±0.05 |

