

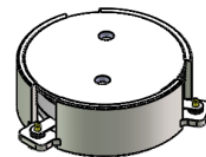


DP0724C

ENG PART: DP-27CM-360T370-CCW

360MHz to 370MHz Single-Junction Surface Mount Circulator

REV.	DESCRIPTION	REVISOR	DATE	APPROVED
A	Creating datasheet	ZC.Wu	2021/10/29	Nick
B	Update the operating temp. from -40~+85°C to -40~+95°C	ZC.Wu	2021/11/1	Nick

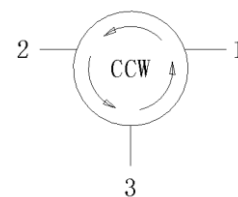


Applications:

- Wireless Infrastructure
- Power Amplifier

Features:

- Operating frequency range: 360MHz to 370MHz
- Operating temperature range: -40°C to +95°C
- Storage temperature range: -55°C to +120°C
- Small surface-mount package delivered on T&R
- BeO free & RoHS compliant



Block Diagram



Electrical Specifications:

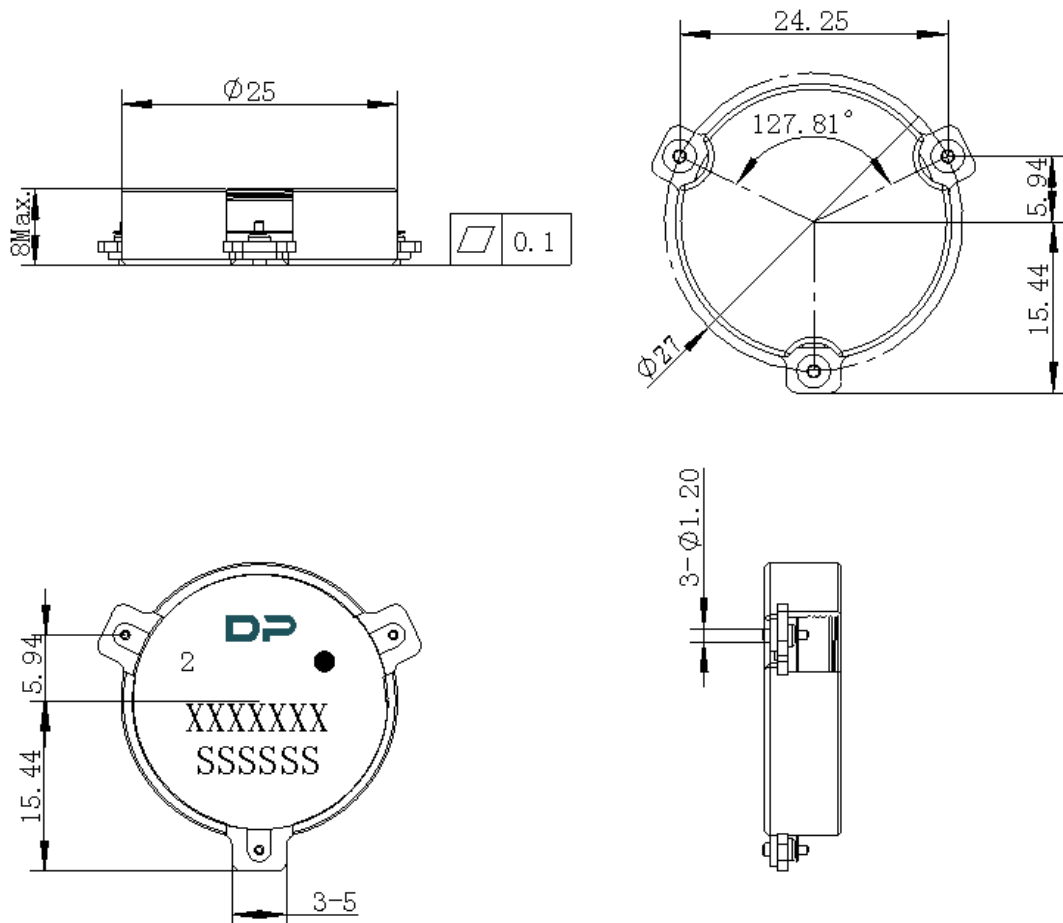
ITEM	SPECIFICATION	
Frequency	360~370	MHz
Direction	CCW	
Impedance	Typ: 50	Ω
Insertion Loss (Max.)	0.30@25 \pm 5 $^{\circ}$ C 0.35@-40 $^{\circ}$ C~+95 $^{\circ}$ C	dB
Isolation (Min.)	25@25 \pm 5 $^{\circ}$ C 22@-40 $^{\circ}$ C~+95 $^{\circ}$ C	dB
Return Loss (Min.)	25@25 \pm 5 $^{\circ}$ C 21@-40 $^{\circ}$ C~+95 $^{\circ}$ C	dB
3rd IMD (Max.)	-75@2x45dBm tones, spacing1MHz	dBc
Group delay	/	ns
2nd harmonic suppression	/	dBc
3rd harmonic suppression	/	dBc
Power FWD/REV/PEAK	100/100/300	W
Input Impedance ,real	/	Ω
Input Impedance ,Imaginary	/	j Ω
output Impedance ,real	/	Ω
output Impedance ,imaginary	/	j Ω
Resonance point out-off-band	/	

Notes:

1. Exposure to maximum rating conditions for extended periods may reduce device reliability. There is no damage to device with only one parameter set at the limit and all other parameters set at or below their nominal value. Exceeding any of the limits listed here may result in permanent damage to the device.
2. Performance is guaranteed under the conditions listed in this table and over the operating temperature range.
3. Performance will not degrade by > 10% (Insertion loss > 20%) with an operating temperature of up to 130 $^{\circ}$ C.



Mechanical Specifications:



Unit: Millimeters

Notes:

1. The housing and pins are silver-plated.
2. Tolerance $\pm 0.2\text{mm}$ unless otherwise specified.
3. Co-planarity Specification: 0.1mm maximum.
4. Part Number, Lot Code, and Port Designation are printed on the top side of device.
5. The **XXXXXXX** on the label represents the part number
6. The **SSSSSS** on the label represents the serial number
7. The black dots represent the input ports



Packaging Style:

ITEM	W	A0	B0	K0	D	E	F	F2	P	P0	P2	T
DM	56	Φ25.2	30.6	8.4	Φ1.5	1.75	26.25	52.5	40	4	2	0.5
TOLE	±0.3	±0.2	±0.2	-0.2	+0.1	±0.1	±0.15	±0.1	±0.1	±0.1	±0.1	±0.05

