

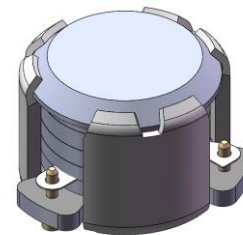


DP0577C

ENG PART:DP-7.0CM-2220T2380-CW

2220MHz to 2380MHz Single-Junction Surface Mount Circulator

REV.	DESCRIPTION	REVISOR	DATE	APPROVED
A	Creating datasheet	ZC.Wu	2021/7/27	Nick

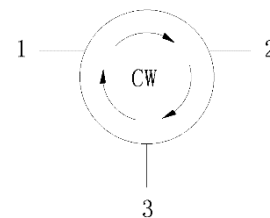


Applications:

- Wireless Infrastructure
- Power Amplifier

Features:

- Operating frequency range: 2220MHz to 2380MHz
- Operating temperature range: -40°C to +110°C
- Storage temperature range: -40°C to +125°C
- Small surface-mount package delivered on T&R
- BeO free & RoHS compliant



Block Diagram



Electrical Specifications:

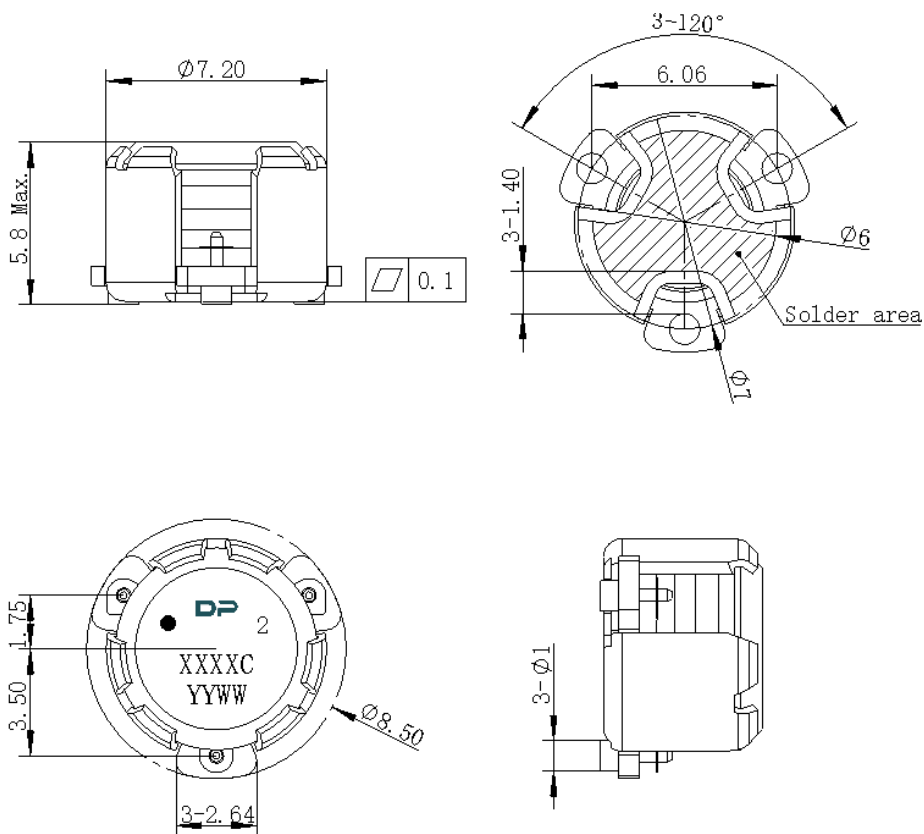
ITEM	SPECIFICATION	
Frequency	2220~2380	MHz
Direction	CW	
Impedance	Typ: 50	Ω
Insertion Loss (Max.)	0.4@25±10℃ 0.45@-40~+110℃	dB
Isolation (Min.)	21@25±10℃ 18@-40~+110℃	dB
Return Loss (Min.)	21@25±10℃ 18@-40~+110℃	dB
3rd IMD (Max.)	-60@2x5W CW tones, 1MHz spacing	dBc
3rd IMD (Max.)	-55@2x10W CW tones, 1MHz spacing	dBc
Group delay	2	ns
2nd harmonic attenuation	15	dB
3rd harmonic attenuation	10	dB
Nx harmonic attenuation	5	dB
2nd Harmonic suppression (Max.)	-60@10W CW	dBc
3rd Harmonic suppression (Max.)	-60@10W CW	dBc
Power FWD/REV/PEAK	30/30/150	W
Termination/Attenuator	/	W/dB

Notes:

1. Exposure to maximum rating conditions for extended periods may reduce device reliability. There is no damage to device with only one parameter set at the limit and all other parameters set at or below their nominal value. Exceeding any of the limits listed here may result in permanent damage to the device.
2. Performance is guaranteed under the conditions listed in this table and over the operating temperature range.



Mechanical Specifications:



Unit: Millimeters

Notes:

1. The housing and pins are silver-plated.
2. Tolerance ± 0.2 mm unless otherwise specified.
3. Co-planarity Specification: 0.1 mm maximum.
4. Part Number, Lot Code, and Port Designation are printed on the top side of device
5. The **XXXXC** on the label represents the last five digits of the Part Number.
6. Date code is in format **YYWW**
7. The black dot on the label represents the input port



Packaging Style:

ITEM	W	A0	B0	C0	K0	D	E	F	F2	P	P0	P2	T
DIM	24	Φ7.4	9.2	2.7	6.0	Φ1.5	1.75	11.5	-	20	4	2	0.5
TOLE	±0.2	±0.2	±0.2	±0.2	±0.2	+0.1	±0.1	±0.15	±0.1	±0.1	±0.1	±0.1	±0.05

