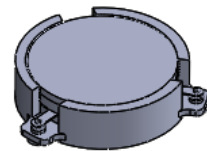




DP0273C

2110MHz to 2170MHz Single-Junction Surface Mount Circulator

REV.	DESCRIPTION	REVISOR	DATE	APPROVED
A	Creating datasheet	ZC.Wu	2020/7/28	Nick
B	Updated Mechanical Specifications	ZC.Wu	2020/7/29	Nick
C	Updated Mechanical Specifications	ZC.Wu	2020/7/29	Nick
D	Producing release(Replace the number 1 on the input port of the label with a black dot)	Jie.Jiang	2020/10/30	Nick
E	Updated Mechanical Specifications And Electrical Specifications	ZC.Wu	2021/1/7	Nick
F	Update the IMD and the power spec.	ZC.Wu	2021/1/26	Nick

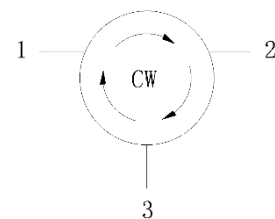


Applications:

- Wireless Infrastructure
- Power Amplifier

Features:

- Operating frequency range:2110MHz to 2170MHz
- Operating temperature range: -40°C to +130°C
- Storage temperature range: -50°C to +150°C
- BeOfree&RoHS compliant



Block Diagram



Electrical Specifications:

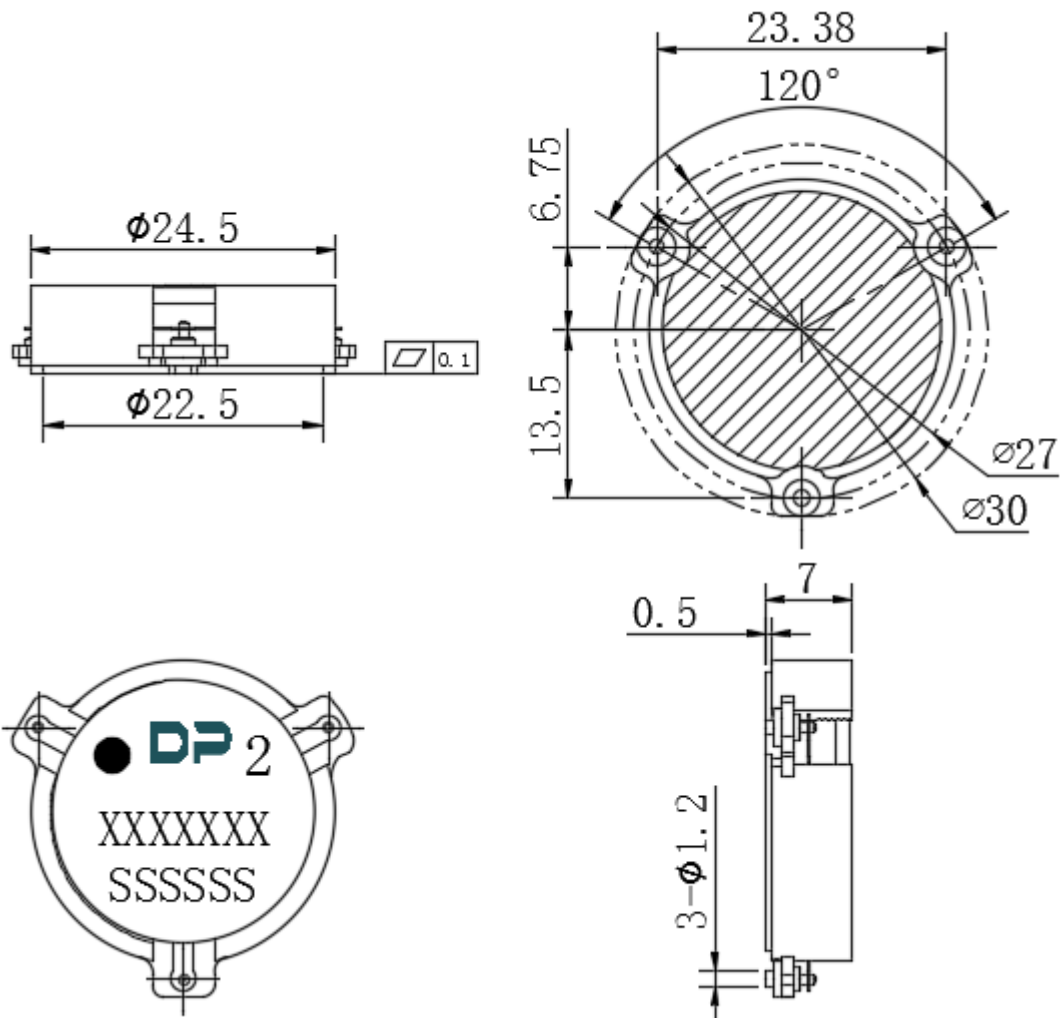
ITEM	SPECIFICATION	
Frequency	2110~2170	MHz
Direction	CW	
Impedance	Typ: 50	Ω
Insertion Loss (Max.)	0.3	dB
Isolation (Min.)	22	dB
Return Loss (Min.)	22	dB
Power FWD/REV/PEAK	250/250/1000	W
IMD (Max.)	-70@2x50W, Spacing 5MHz	dBc
Out Band Resonance(@25°C)	Resonance point away 1710MHz-2570MHz	
Termination/Attenuator	/	W/dB

Notes :

1. Exposure to maximum rating conditions for extended periods may reduce device reliability. There is no damage to device with only one parameter set at the limit and all other parameters set at or below their nominal value. Exceeding any of the limits listed here may result in permanent damage to the device.
2. Performance is guaranteed under the conditions listed in this table and over the operating temperature range.



Mechanical Specifications:



Unit : Millimeters

Notes:

1. The housing and pins are silver-plated.
2. Tolerance ± 0.2 mm unless otherwise specified.
3. Co-planarity Specification: 0.1mm maximum.
4. Part Number, Lot Code, and Port Designation are printed on the top side of device.
- 5 The XXXXXXX on the label represents the part number
6. The SSSSSS on the label represents the serial number
7. The black dot on the label represents the input port