

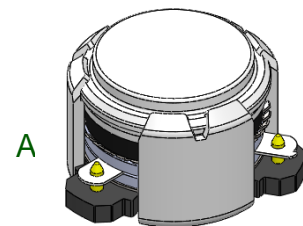


DP0035C

ENG PART:DP-10.2CM-4800T4900-CW

4800MHz to4900MHz Single-Junction Surface Mount Circulator

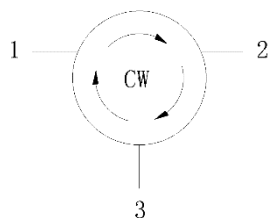
REV.	DESCRIPTION	REVISOR	DATE	APPROVED
A	Creating datasheet	ZC.Wu	2021/11/9	Nick
B	Update the impedance	ZC.Wu	2021/11/18	Nick



- Wireless Infrastructure
- Power Amplifier

Features:

- Operating frequency range: 4800MHz to 4900MHz
- Operating temperature range: -40°C to +100°C
- Storage temperature range: -55°C to +135°C
- Small surface-mount package delivered on T&R
- BeOfree&RoHS compliant



Block Diagram



Electrical Specifications:

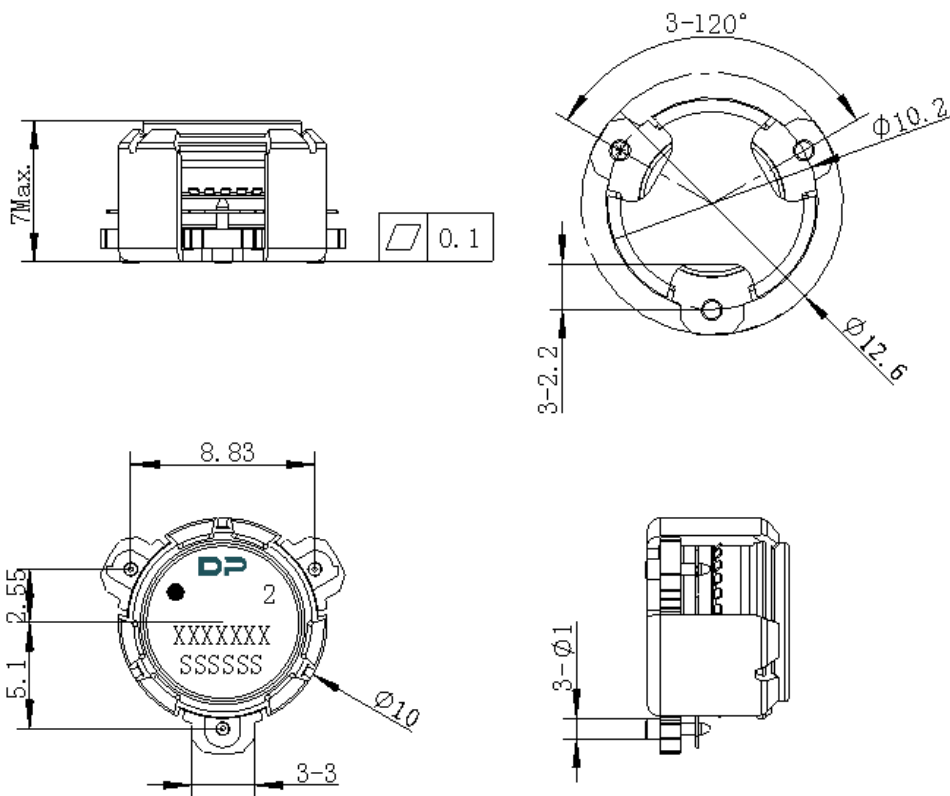
ITEM	SPECIFICATION	
Frequency	4800~4900	MHz
Direction	CW	
Impedance	Typ: 50	Ω
Insertion Loss (Max.)	0.25@25±5°C 0.30@-40~+100°C	dB
Isolation (Min.)	23.0@25±5°C 20.0@-40~+100°C	dB
Return Loss (Min.)	23.0@25±5°C 20.0@-40~+100°C	dB
3rd IMD (Max.)	-65@2x25W, 5MHz spacing	dBc
Group delay	/	ns
2nd harmonic	20	dBc
3rd harmonic	20	dBc
Power FWD/REV/PEAK	100/100/-	W
Termination/Attenuator	/	W/dB
Out Band Resonance	Resonance point away 3200MHz-3800MHz	
Impedance ,real	50±5 @4800~4900MHz 50±5 @4700~5000MHz	Ω
Impedance ,imaginary	0j±5j Min@4800~4900MHz 0j±5j Min@4700~5000MHz	j Ω

Notes:

1. Exposure to maximum rating conditions for extended periods may reduce device reliability. There is no damage to device with only one parameter set at the limit and all other parameters set at or below their nominal value. Exceeding any of the limits listed here may result in permanent damage to the device.
2. Performance is guaranteed under the conditions listed in this table and over the operating temperature range.
3. Performance will not degrade by > 10% (Insertion loss > 20%) with an operating temperature of up to 130 °C.



Mechanical Specifications:



Unit: Millimeters

Notes:

1. The housing and pins are silver-plated.
2. Tolerance ± 0.2 mm unless otherwise specified.
3. Co-planarity Specification: 0.1mm maximum.
4. Part Number, Lot Code, and Port Designation are printed on the top side of device
5. The XXXXXXX on the label represents the part number
6. The SSSSSS on the label represents the serial number
7. The black dot on the label represents the input port



Packaging Style:

ITEM	W	A0	B0	C0	K0	D	E	F	F2	P	P0	P2	T
DIM	32	Φ10.4	12.5	4	7.0	Φ1.5	1.75	14.2	28.5	24	4	2	0.5
TOLE	±0.3	±0.2	±0.2	±0.2	±0.2	+0.1	±0.1	±0.15	±0.1	±0.1	±0.1	±0.1	±0.05

