

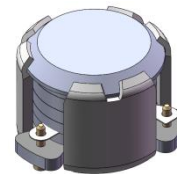


## DP0954C

### ENG PART:DP-7CM-3600T3800-CCW

3600MHz to 3800MHz Single-Junction Surface Mount Circulator

REV.	DESCRIPTION	REVISOR	DATE	APPROVED
A	Creating datasheet	ZC.Wu	2022/3/9	Nick

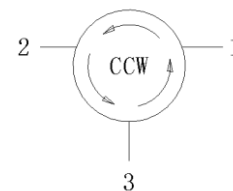


#### Applications:

- Wireless Infrastructure
- Power Amplifier

#### Features:

- Operating frequency range: 3600MHz to 3800MHz
- Operating temperature range: -40°C to +110°C
- Storage temperature range: -65°C to +150°C
- Small surface-mount package delivered on T&R
- BeO free & RoHS compliant



Block Diagram



**Electrical Specifications:**

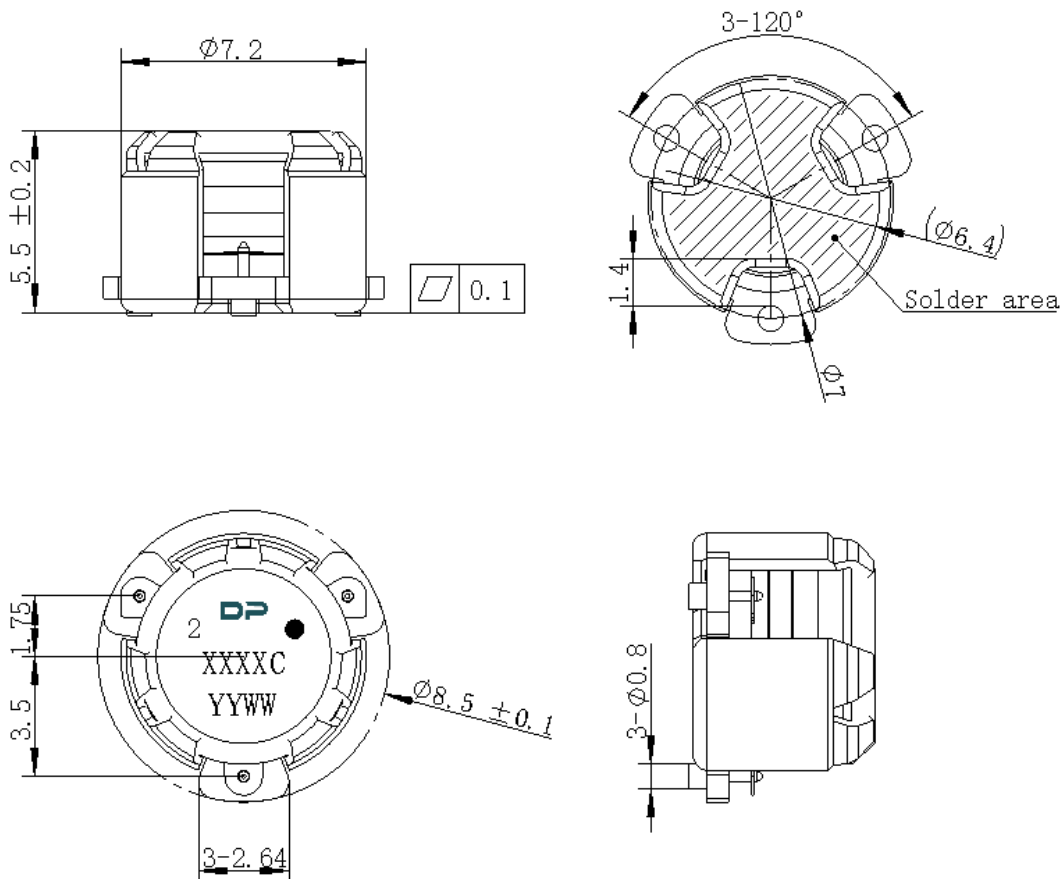
ITEM	SPECIFICATION	
Frequency	3600~3800	MHz
Direction	CCW	
Impedance	Typ: 50	$\Omega$
Insertion Loss (Max.)	0.23@25°C $\pm$ 10°C 0.27@-40~+110°C	dB
Isolation (Min.)	21	dB
Return Loss (Min.)	22	dB
3rd IMD (Max.)	-60	dBc
Group delay	2	ns
2nd harmonic suppression	20@25°C 15@-40~+110°C	dBc
3rd harmonic suppression	10@25°C 8@-40~+110°C	dBc
Extend Frequency	3400-4000	MHz
Isolation of extend frequency	14	dB
Power FWD/REV/PEAK	25/-/200	W
Resonance point of out off band	3200MHz-4000MHz	W/dB
Input Impedance ,real	47~53 @3600 MHz 47~53 @3700 MHz 47~53 @3800 MHz	$\Omega$
Input Impedance ,imaginary	-5j ~+2j @3600 MHz -3.5j ~+2j @3700 MHz -1j~+4.5j @3800 MHz	$\Omega$

Notes:

1. Exposure to maximum rating conditions for extended periods may reduce device reliability. There is no damage to device with only one parameter set at the limit and all other parameters set at or below their nominal value. Exceeding any of the limits listed here may result in permanent damage to the device.
2. Performance is guaranteed under the conditions listed in this table and over the operating temperature range.
3. Performance will not degrade by > 10% (Insertion loss > 20%) with the operating temperature up to 130 °C.



### Mechanical Specifications:



Unit: Millimeters

#### Notes:

1. The housing and pins are silver-plated.
2. Tolerance  $\pm 0.2$ mm unless otherwise specified.
3. Co-planarity Specification: 0.1mm maximum.
4. Part Number, Lot Code, and Port Designation are printed on the top side of device
5. The **XXXXC** on the label represents the last five digits of the Part Number.
6. Date code is in format **YYWW**
7. The black dot on the label represents the input port



Packaging Style:

ITEM	W	A0	B0	C0	K0	D	E	F	F2	P	P0	P2	T
DIM	24	Φ7.4	9.2	2.7	6.0	Φ1.5	1.75	11.5	-	20	4	2	0.5
TOLE	±0.2	±0.2	±0.2	±0.2	±0.2	+0.1	±0.1	±0.15	±0.1	±0.1	±0.1	±0.1	±0.05

