

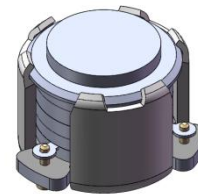


## DP0278C

### ENG PART: DP-7CM-3400T3700-CCW

3400MHz to 3700MHz Single-Junction Surface Mount Circulator

REV.	DESCRIPTION	REVISOR	DATE	APPROVED
A	Creating Datasheet	ZC.Wu	2020/08/10	Nick
B	Updated 2nd harmonic attenuation and the label format	ZC.Wu	2020/09/14	Nick
C	Producing release (replace the number 1 on the input port of the label with a black dot)	ZC.Wu	2020/09/17	Nick
D	Uptade 2nd harmonic attenuation from 15 to 10, 3rd harmonic attenuation from 10 to 8	ZC.Wu	2022/1/22	Nick

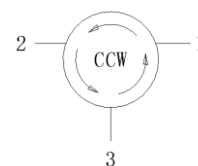


#### Applications:

- Wireless Infrastructure
- Power Amplifier

#### Features:

- Operating frequency range: 3400MHz to 3700MHz
- Operating temperature range: -40°C to +125°C
- Storage temperature range: -50°C to +130°C
- Small surface-mount package delivered on T&R
- BeO free & RoHS compliant



Block Diagram



### Electrical Specifications:

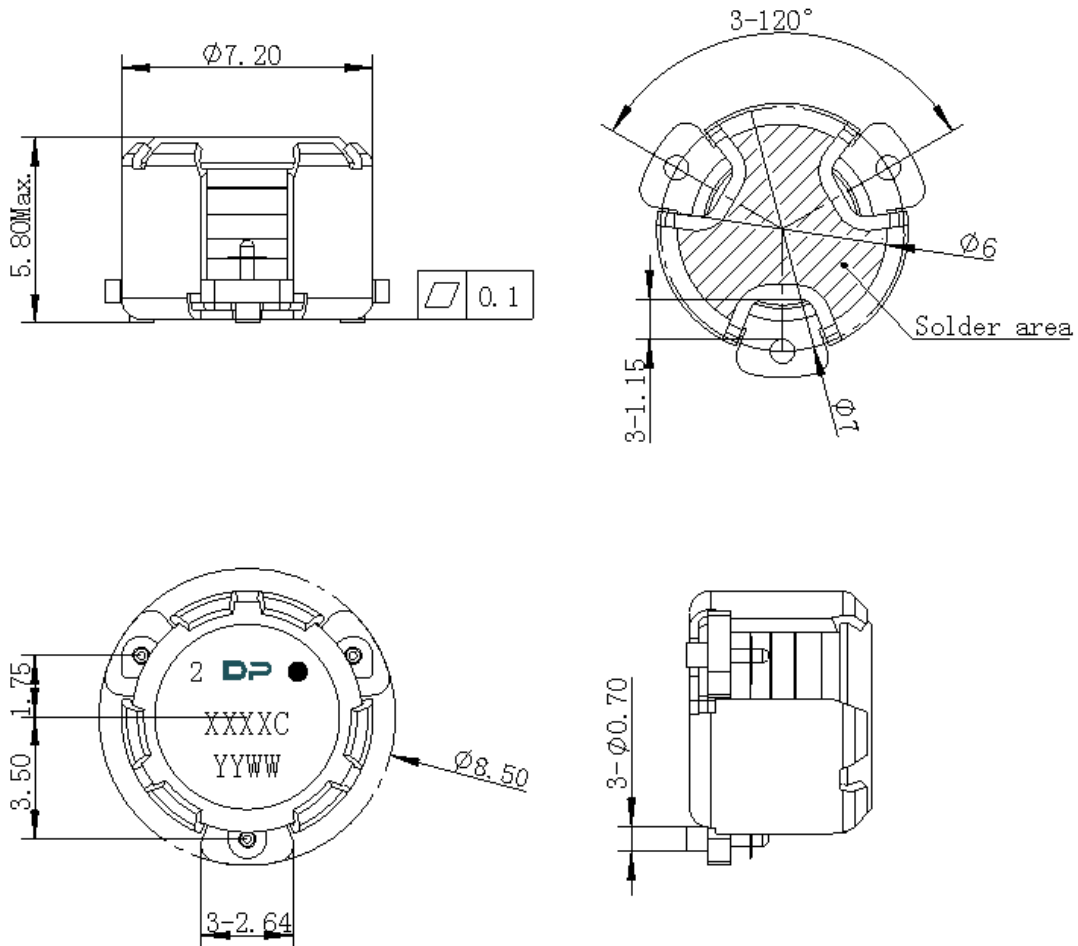
ITEM	SPECIFICATION	
Frequency	3400~3700	MHz
Direction	CCW	
Impedance	Typ: 50	$\Omega$
Insertion Loss (Max.)	0.25@25°C $\pm$ 10°C 0.30@-40°C ~ +110°C 0.33@+110°C ~ +125°C	dB
Isolation (Min.)	22@25°C $\pm$ 10°C 20@-40°C ~ +110°C 18@+110°C ~ +125°C	dB
Return Loss (Min.)	22@25°C $\pm$ 10°C 21@-40°C ~ +110°C 18@+110°C ~ +125°C	dB
3rd IMD (Max.)	-62@2x5W CW tones, 1MHz spacing	dBc
Group delay	2	ns
2nd harmonic attenuation	10	dB
3rd harmonic attenuation	8	dB
Nx harmonic attenuation	/	dB
Power FWD/REV/PEAK	30/-/200(A pulse with a 100:1 duty cycle)	W
Termination/Attenuator	/	W/dB
Input Impedance ,real	/	$\Omega$
Input Impedance ,imaginary	/	$\Omega$

Notes :

1. Exposure to maximum rating conditions for extended periods may reduce device reliability. There is no damage to device with only one parameter set at the limit and all other parameters set at or below their nominal value. Exceeding any of the limits listed here may result in permanent damage to the device.
2. Performance is guaranteed under the conditions listed in this table and over the operating temperature range.



### Mechanical Specifications:



Unit : Millimeters

#### Notes:

1. The housing and pins are silver-plated.
2. Tolerance  $\pm 0.2$ mm unless otherwise specified.
3. Co-planarity Specification: 0.1mm maximum.
4. Part Number, Lot Code, and Port Designation are printed on the top side of device
5. The **XXXXC** on the label represents the last five digits of the Part Number.
6. Date code is in format **YYWW**



Packaging Style:

ITEM	W	A0	B0	C0	K0	D	E	F	F2	P	P0	P2	T
DIM	24	Φ7.4	9.2	2.7	6.0	Φ1.5	1.75	11.5	-	20	4	2	0.5
TOLE	±0.2	±0.2	±0.2	±0.2	±0.2	+0.1	±0.1	±0.15	±0.1	±0.1	±0.1	±0.1	±0.05

