

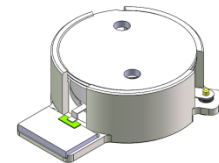


DP0251S

456MHz to 472.5MHz Single-Junction Surface Mount Isolator

CUSTOMER:Ericsson

REV.	DESCRIPTION	REVISOR	DATE	APPROVED
A		ZC.Wu	2020/5/22	Nick

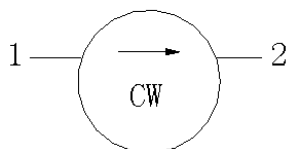


Applications:

- Wireless Infrastructure
- Power Amplifier

Features:

- Operating frequency range: 456MHz to 472.5MHz
- Operating temperature range: -40°C to +115°C
- Storage temperature range: -40°C to +115°C
- Small surface-mount package delivered on T&R
- BeOfree&RoHS compliant



Block Diagram



Electrical Specifications:

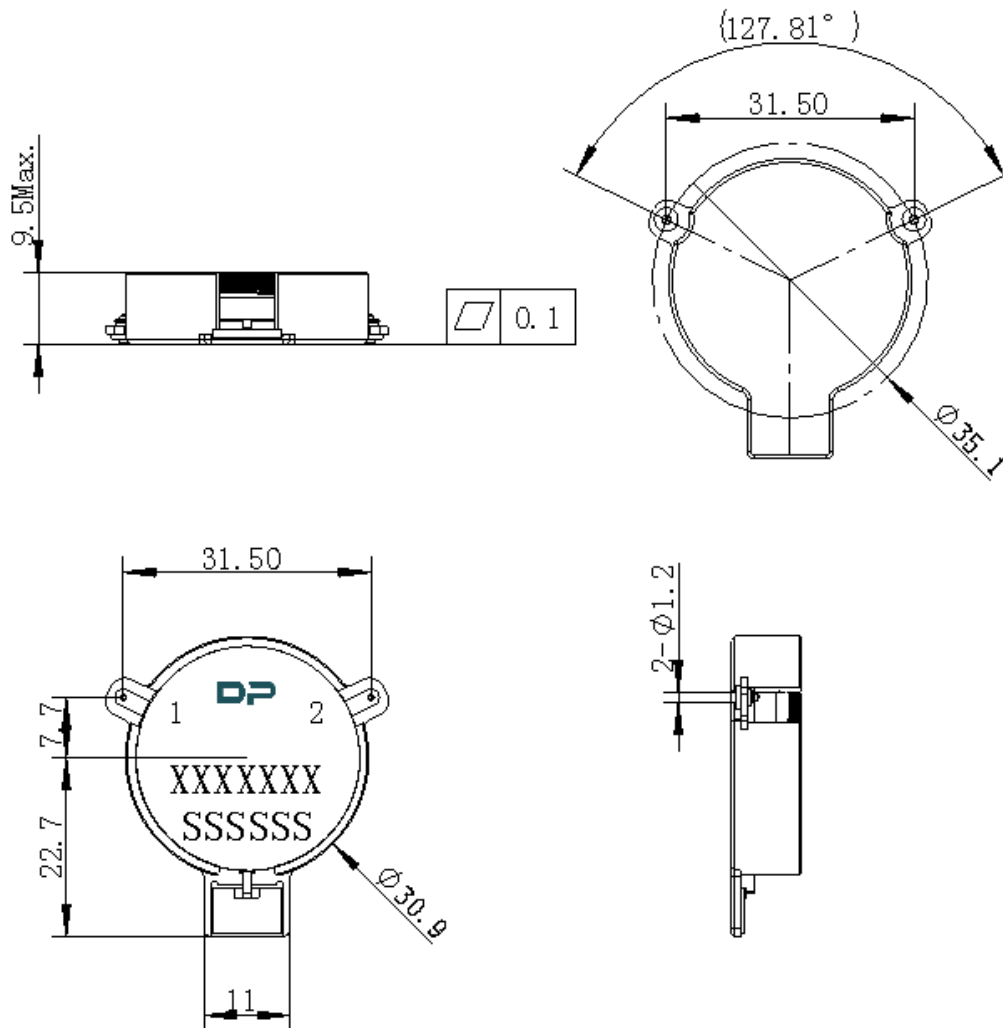
ITEM	SPECIFICATION	
Frequency	456~472.5	MHz
Direction	CW	
Impedance	Typ: 50	Ω
Insertion Loss (Max.)	0.3	dB
Isolation (Min.)	20@456~472.5MHz 17@451~477.5MHz 10@439.5~489MHz 8@423~505.5MHz 6@406.5~522MHz	dB
Return Loss (Min.)	20@456~472.5MHz 16@451~477.5MHz 6@406.5~522MHz	dB
3rd IMD (Max.)	-65@2x50W CW tones, 1MHz spacing	dBc
5th IMD (Max.)	-75@2x50W CW tones, 1MHz spacing	dBc
Harmonics	0@2x f 100W CW -10@3x f 100W CW -10@4x f 100W CW -35@5x f 100W CW -25@6x f 100W CW -25@7x f 100W CW	dBm
Out of band attenuation	10@2x f 5@3x f 5@nx f (n=order of in- band frequency multiple)	dB
Group delay	0.5~2.8	ns
Deviation from nominal delay over temperature range	± 0.05	ns
Power FWD/REV/PEAK	130/80/1300	W
Max voltage rating	1080	V
Termination/Attenuator	100/-	W/dB

Notes :

1. Exposure to maximum rating conditions for extended periods may reduce device reliability. There is no damage to device with only one parameter set at the limit and all other parameters set at or below their nominal value. Exceeding any of the limits listed here may result in permanent damage to the device.
2. Performance is guaranteed under the conditions listed in this table and over the operating temperature range.
3. Performance will not degrade by > 10% (Insertion loss > 20%) with an operating temperature of up to 130 °C.



Mechanical Specifications:



Unit : Millimeters

Notes:

1. The housing and pins are silver-plated.
2. Tolerance ± 0.2 mm unless otherwise specified.
3. Co-planarity Specification: 0.1mm maximum.
4. Part Number, Lot Code, and Port Designation are printed on the top side of device.
5. Part Number format shall be XXXXXXX
6. Serial Number format shall be SSSSSS