

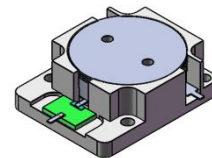


## DP0173S

### 918MHz to 960MHz Single-Junction Drop-in Isolator

Revision A----- (2019.12.26)

Revision B (The total height is changed from 10 to 10 Max.)----- (2019.12.30)

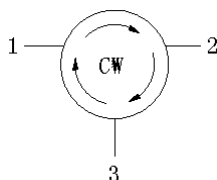


#### Applications:

- Wireless Infrastructure
- Power Amplifier

#### Features:

- Operating frequency range: 918MHz to 960MHz
- Operating temperature range: -40°C to +85°C
- Storage temperature range: -50°C to +110°C
- Small surface-mount package delivered on T&R
- BeO free & RoHS compliant



Block Diagram



### Electrical Specifications:

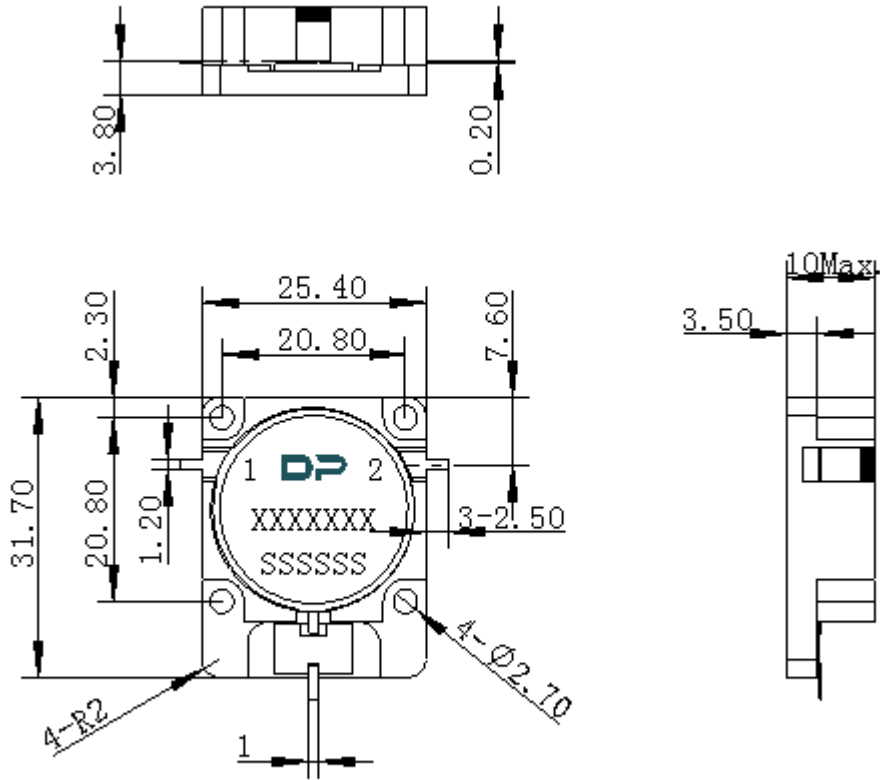
| ITEM                   | SPECIFICATION                            |          |
|------------------------|--|----------|
| Frequency              | 918~960                                  | MHz      |
| Direction              | CW                                       |          |
| Impedance              | Typ: 50                                  | $\Omega$ |
| Insertion Loss (Max.)  | 0.20@25°C $\pm$ 5°C<br>0.25@-40°C ~+85°C | dB       |
| Isolation (Min.)       | 25.0@25°C $\pm$ 5°C<br>23.0@-40°C ~+85°C | dB       |
| Return Loss (Min.)     | 23.0@25°C $\pm$ 5°C<br>21.0@-40°C ~+85°C | dB       |
| 3rd IMD (Max.)         | -75@2x10W                                | dBc      |
| 2nd harmonic           | -  | dBc      |
| 3rd harmonic           | -  | dBc      |
| Power FWD/REV/PEAK     | 150/150/-                                | W        |
| Termination/Attenuator | 150/30                                   | W/dB     |

Notes :

1. Exposure to maximum rating conditions for extended periods may reduce device reliability. There is no damage to device with only one parameter set at the limit and all other parameters set at or below their nominal value. Exceeding any of the limits listed here may result in permanent damage to the device.
2. Performance is guaranteed under the conditions listed in this table and over the operating temperature range.
3. Performance will not degrade by > 10% (Insertion loss > 20%) with an operating temperature of up to 130 °C.



**Mechanical Specifications:**



Unit : Millimeters

Notes:

1. The housing and pins are silver-plated.
2. Tolerance  $\pm 0.2$  mm unless otherwise specified.
3. Co-planarity Specification: 0.1 mm maximum.
4. Part Number, Lot Code, and Port Designation are printed on the top side of device.
5. Part Number format shall be XXXXXXXX
6. Serial Number format shall be SSSSSS