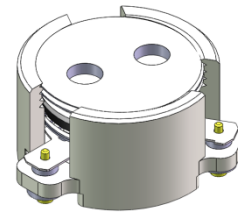




## DP0143C

### 2500MHz to 2700MHz Single-Junction Surface Mount Circulator

REV.	DESCRIPTION	REVISOR	DATE	APPROVED
A		ZC.Wu	2019/11/28	
B	Added packaging drawing	ZC.Wu	2020/08/12	

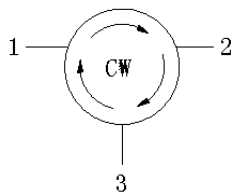


#### Applications:

- Wireless Infrastructure
- Power Amplifier

#### Features:

- Operating frequency range: 2500MHz to 2700MHz
- Operating temperature range: -40°C to +110°C
- Storage temperature range: -50°C to +140°C
- Small surface-mount package delivered on T&R
- BeOfree&RoHS compliant



Block Diagram



### Electrical Specifications:

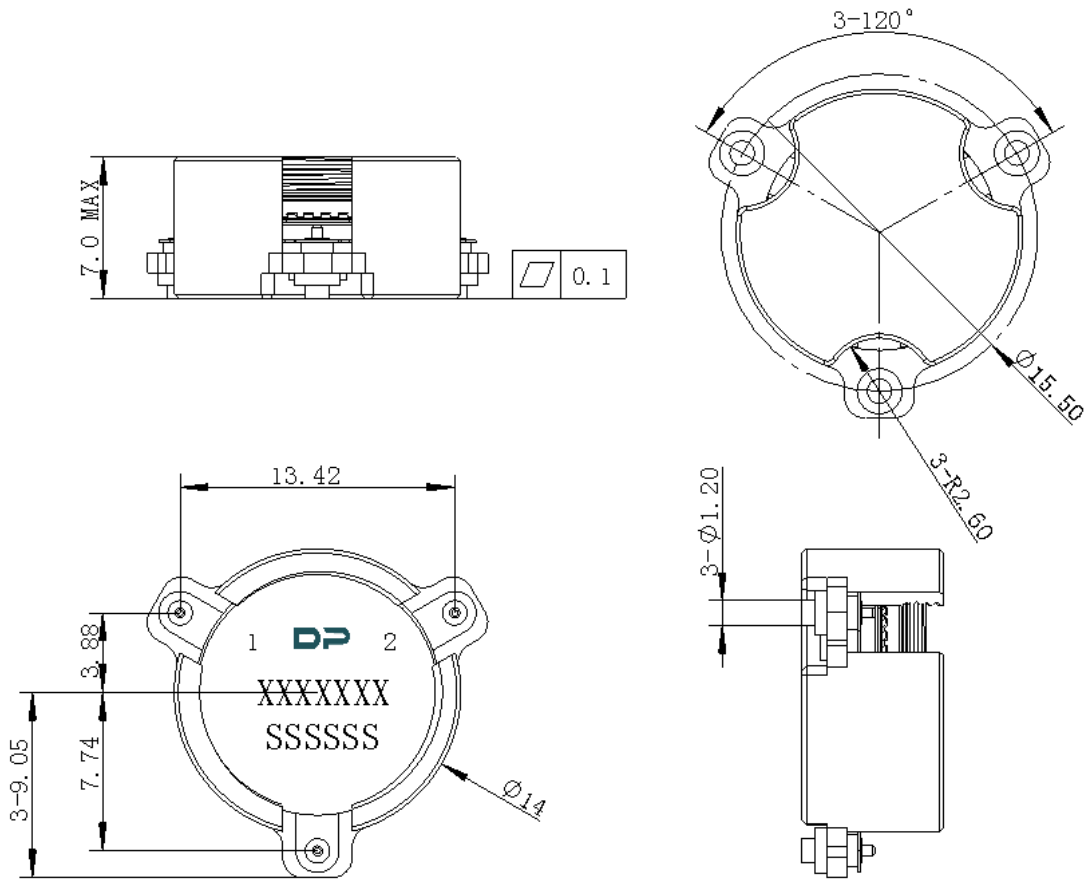
ITEM	SPECIFICATION	
Frequency	2500~2700	MHz
Direction	CW	
Impedance	Typ: 50	$\Omega$
Insertion Loss (Max.)	0.28@25 $\pm$ 5 $^{\circ}$ C 0.32@-40~+85 $^{\circ}$ C 0.35@+85~+110 $^{\circ}$ C	dB
Isolation (Min.)	23@25 $\pm$ 5 $^{\circ}$ C 20@-40~+85 $^{\circ}$ C 18@+85~+110 $^{\circ}$ C	dB
Return Loss (Min.)	25@25 $\pm$ 5 $^{\circ}$ C 23@-40~+85 $^{\circ}$ C 21@+85~+110 $^{\circ}$ C	dB
3rd IMD (Max.)	-65@2x44dBm CW tones, 5MHz spacing	dBc
Extend frequency	/	MHz
Ripple of group delay in extend frequency	/	ns
Isolation of extend frequency	/	dB
2nd harmonic	/	dBc
3rd harmonic	/	dBc
Power FWD/REV/PEAK	50/50/-	W
Termination/Attenuator	/	W/dB

Notes :

1. Exposure to maximum rating conditions for extended periods may reduce device reliability. There is no damage to device with only one parameter set at the limit and all other parameters set at or below their nominal value. Exceeding any of the limits listed here may result in permanent damage to the device.
2. Performance is guaranteed under the conditions listed in this table and over the operating temperature range.
3. Performance will not degrade by > 10% (Insertion loss > 20%) with an operating temperature of up to 130  $^{\circ}$ C.



**Mechanical Specifications:**



Unit : Millimeters

Notes:

1. The housing and pins are silver-plated.
2. Tolerance  $\pm 0.2$ mm unless otherwise specified.
3. Co-planarity Specification: 0.1mm maximum.
4. Part Number, Lot Code, and Port Designation are printed on the top side of device.
5. Part Number format shall be XXXXXXX
6. Serial Number format shall be SSSSSS



### Packaging Style:

ITEM	W	A0	B0	K0	D	E	F	F2	P	P0	P2	T
DIM	32	$\Phi 14.3$	18.5	7.2	$\Phi 1.5$	1.75	14.2	28.5	24	4	2	0.5
TOL	$\pm 0.3$	$\pm 0.2$	$\pm 0.2$	+0.2	+0.1	$\pm 0.1$	$\pm 0.15$	$\pm 0.1$	$\pm 0.1$	$\pm 0.1$	$\pm 0.1$	$\pm 0.05$

