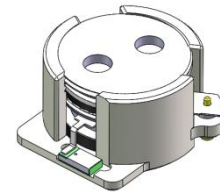




DP0007S

1805MHz to 2170MHz Single-Junction Surface Mount Isolator

Revision A

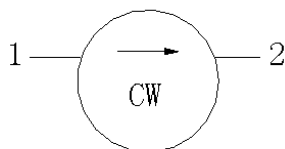


Applications:

- Wireless Infrastructure
- Power Amplifier

Features:

- Operating frequency range: 1805MHz to 2170MHz
- Operating temperature range: -40°C to +90°C
- Storage temperature range: -55°C to +125°C
- Small surface-mount package delivered on T&R
- BeOfree&RoHS compliant



Block Diagram



Electrical Specifications:

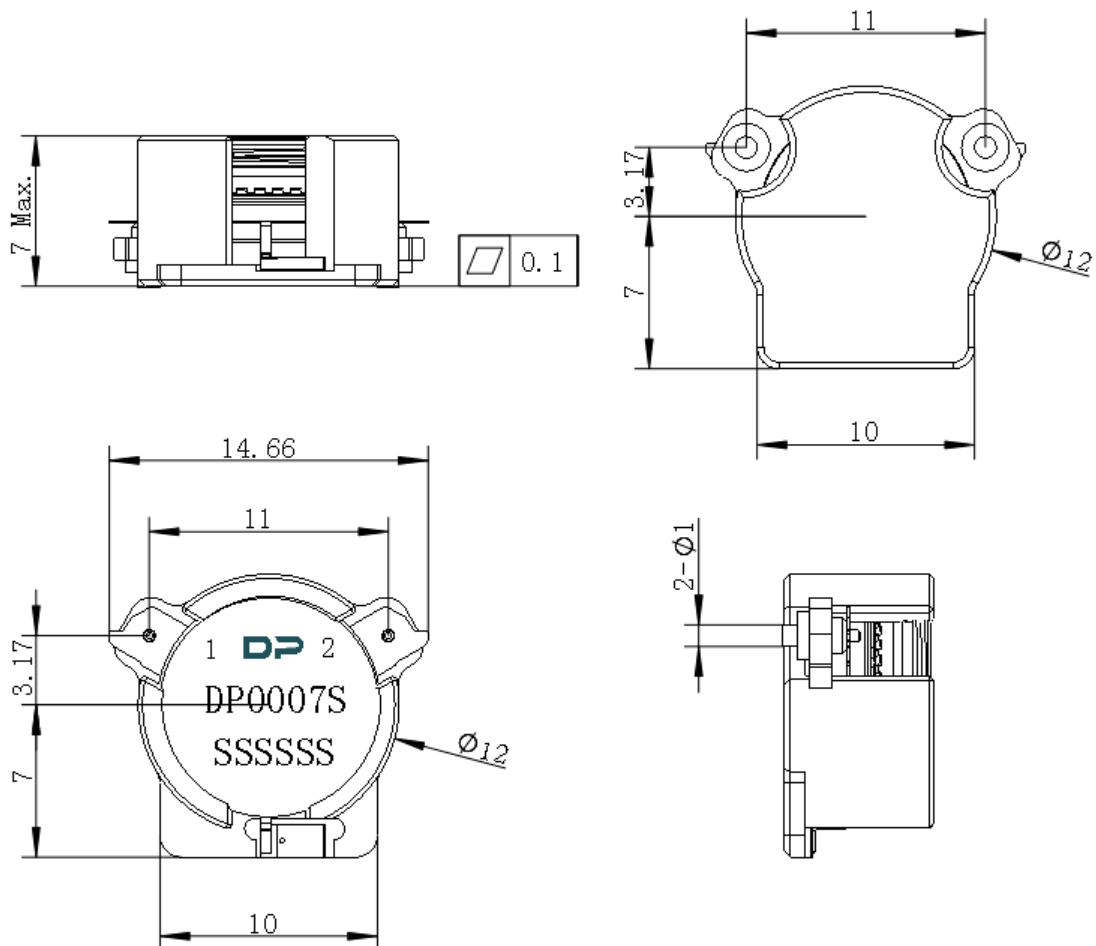
| ITEM | SPECIFICATION | |
|----------------------------|------------------------------------|------------|
| Frequency | 1805~2170 | MHz |
| Direction | CW | |
| Impedance | Typ: 50 | Ω |
| Insertion Loss (Max.) | 0.5 | dB |
| Isolation (Min.) | 17@1805~2170MHz 12@1740~2260MHz | dB |
| Return Loss (Min.) | 17 | dB |
| Input Impedance ,real | 36 Min 50 Typ 69 Max | Ω |
| Input Impedance ,imaginary | -16j Min 50 Typ +16j Max | j Ω |
| 3rd IMD (Max.) | 55@2x15W CW tones, 5MHz spacing | dBc |
| Group delay | 2 | ns |
| Group delay Variation | 1 | ns |
| 2nd harmonic | 10 | dBc |
| 3rd harmonic | 5 | dBc |
| Power FWD/REV/PEAK | 20/4/120 | W |
| Termination/Attenuator | 20/- | W/dB |

Notes:

1. Exposure to maximum rating conditions for extended periods may reduce device reliability. There is no damage to device with only one parameter set at the limit and all other parameters set at or below their nominal value. Exceeding any of the limits listed here may result in permanent damage to the device.
2. Performance is guaranteed under the conditions listed in this table and over the operating temperature range.
3. Performance will not degrade by > 10% (Insertion loss > 20%) with an operating temperature of up to 130 °C.



Mechanical Specifications:



Unit: Millimeters

Notes:

1. The housing and pins are silver-plated.
2. Tolerance ± 0.2 mm unless otherwise specified.
3. Co-planarity Specification: 0.1mm maximum.
4. Part Number, Lot Code, and Port Designation are printed on the top side of device.
5. Serial Number format shall be SSSSSS