



# INS5T8025 —Low Power Consumption High Accuracy I<sup>2</sup>C RTC

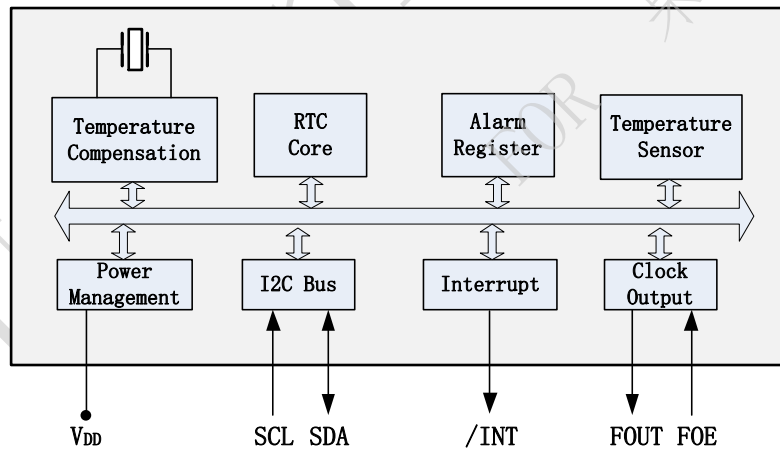
## Key Features

- Low current consumption: 1.0uA (Typ.)
- High stability:  
±3.4ppm @ -40°C ~ +85°C
- Build-in TCXO: 32.768KHz
- Build-in temperature sensor
- Communication Interface: I<sup>2</sup>C bus
- Power Supply Voltage: 1.6V~5.5V
- Operation Temperature Range: -40°C ~ +85°C
- Leap years autocorrection
- Timer output function with adjustable period
- Package: 10.1mm × 7.4mm × 3.2mm (SOP14)
- RoHS2.0 & REACH compliant

## Ordering Information

| Part Name | Manufacture Part Number (MPN) | Description         |
|-----------|-------------------------------|---------------------|
| INS5T8025 | INS5T8025                     | ±3.4ppm@-40°C~+85°C |

## Block Diagram



## Overview

INS5T8025 is a high-accuracy I<sup>2</sup>C bus interface real-time clock with low power consumption. It embeds a 32.768KHz TCXO. The high precise temperature sensor and temperature compensated circuit ensure the high clock accuracy. It supports calendar (year, month, day, hour, minute, second), clock and timer functions etc. These features make it very suitable for energy, power devices and high-speed railway system application.



### Revision History

| Version | Change Contents   | Prepared by | Revised Date |
|---------|---|-------------|--------------|
| V1.0    | First Issued  |             | 2022.08.02   |
| V1.1    | <ol style="list-style-type: none"> <li>1. Update pin definition and description. (P6)</li> <li>2. Update temperature calculation formula: Temp [°C] = (TEMP[7:0] * 2 -147.5) / 3.0448. (P15)</li> <li>3. Add Frequency Offset register and related description. (P15)</li> <li>4. Update Packing information. (P21)</li> </ol>  |             | 2023.02.26   |
| V1.2    | <ol style="list-style-type: none"> <li>1. Key features<br/>Add “RoSH2.0 &amp; REACH compliant”</li> <li>2. Chapter 5.5 <ul style="list-style-type: none"> <li>- Change VDD voltage from “2.5V~4.5V” to “2.5V~5.5V”</li> <li>- Add tHD;DAT max value 0.9us</li> <li>- Change tr/td from 0.4us to 0.3us</li> </ul> </li> <li>3. Chapter 6.1 <ul style="list-style-type: none"> <li>- Change 0x0E/0x1E bit0 “Reserved” to “VDET”</li> <li>- Table9: Change 0x22~0x24 description “Ensure to be 0x00” to “Not use”</li> <li>- Add VDET description to Notes “Initial 1.....” &amp; “Only 0 can be written to.....”</li> </ul> </li> <li>4. Chapter 6.2.5 <ul style="list-style-type: none"> <li>- Change VLF voltage from “1.6V” to “1.4V”</li> <li>- Change bit0 description from “Reserved” to “VDET”</li> <li>- Add VDET description</li> </ul> </li> <li>5. Chapter 6.2.9<br/>Change 0x22~0x24 description from “Ensure to be 0x00” to “Not use”</li> </ol> | LIN Jianhua | 2023.04.11   |



|  |   |  |  |
|--|---|--|--|
|  | 6. Chapter 9<br>Change marking “ST8025” to “5T8025” |  |  |
|--|---|--|--|

DAPU Confidential  
FOR 果棒



# Index

|          |   |           |
|----------|---|-----------|
| <b>1</b> | <b>OVERVIEW</b> .....                     | <b>6</b>  |
| <b>2</b> | <b>BLOCK DIAGRAM</b> .....                | <b>6</b>  |
| <b>3</b> | <b>FEATURES</b> .....                     | <b>6</b>  |
| <b>4</b> | <b>PIN DEFINITION</b> .....               | <b>7</b>  |
| <b>5</b> | <b>ELECTRICAL CHARACTERISTICS</b> .....   | <b>8</b>  |
| 5.1      | ABSOLUTE MAXIMUM RATINGS .....            | 8         |
| 5.2      | RECOMMENDED OPERATING CONDITIONS.....     | 8         |
| 5.3      | FREQUENCY CHARACTERISTICS .....           | 8         |
| 5.4      | DC CHARACTERISTICS .....                  | 9         |
| 5.5      | AC CHARACTERISTICS.....                   | 10        |
| <b>6</b> | <b>REGISTERS</b> .....                    | <b>11</b> |
| 6.1      | REGISTER LISTS .....                      | 11        |
| 6.2      | DETAILS OF REGISTERS.....                 | 13        |
| 6.2.1    | <i>Clock counter registers</i> .....      | 13        |
| 6.2.2    | <i>Alarm registers</i> .....              | 14        |
| 6.2.3    | <i>Timer control registers</i> .....      | 14        |
| 6.2.4    | <i>Extension registers</i> .....          | 15        |
| 6.2.5    | <i>Flag registers</i> .....               | 15        |
| 6.2.6    | <i>Control registers</i> .....            | 16        |
| 6.2.7    | <i>Temperature register</i> .....         | 16        |
| 6.2.8    | <i>Device ID register</i> .....           | 16        |
| 6.2.9    | <i>RSV register</i> .....                 | 16        |
| 6.2.10   | <i>Frequency Offset register</i> .....    | 16        |
| 6.2.11   | <i>Sub-second timer register</i> .....    | 17        |
| <b>7</b> | <b>I<sup>2</sup>C BUS INTERFACE</b> ..... | <b>18</b> |
| 7.1      | CAUTIONS.....                             | 18        |
| 7.2      | SLAVE ADDRESS .....                       | 18        |



|       |                                     |    |
|-------|-------------------------------------|----|
| 7.3   | I <sup>2</sup> C BUS PROTOCOL ..... | 18 |
| 7.3.1 | Write process .....                 | 18 |
| 7.3.2 | Read process .....                  | 19 |
| 8     | REFLOW SOLDERING CURVE .....        | 20 |
| 9     | PACKAGE DIMENSIONS.....             | 21 |
| 10    | PACKING INFORMATION.....            | 22 |

DAPU Confidential  
FOR 果棒



# 1 Overview

INS5T8025 is a high-accuracy I<sup>2</sup>C bus interface real-time clock with low power consumption. It embeds a 32.768KHz TCXO. The high precise temperature sensor and temperature compensated circuit ensure the high clock accuracy. It supports calendar (year, month, day, hour, minute, second), clock and timer functions etc. These features make it very suitable for energy, power devices and high-speed railway system application.

# 2 Block Diagram

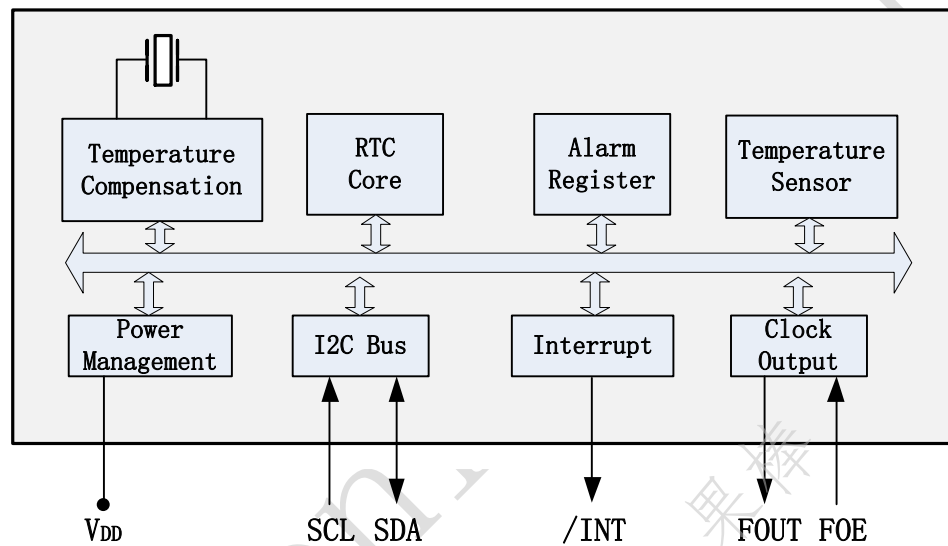


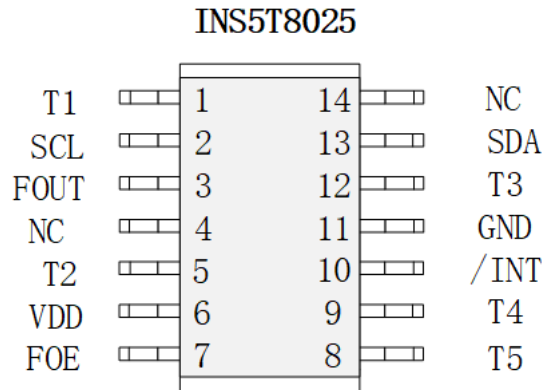
Figure 1. Block Diagram

# 3 Features

- Low current consumption: 1.0uA (Typ.)
- High stability:  
±3.4ppm @ -40°C ~ +85°C
- Communication Interface: I2C bus
- Build-in TCXO: 32.768KHz
- Build-in temperature sensor
- Power Supply Voltage: 1.6V ~ 5.5V
- Operation Temperature Range: -40°C ~ +85°C
- Leap years autocorrection
- Timer output function with adjustable period
- Package: 10.1mm × 7.4mm × 3.2mm (SOP14)
- RoHS2.0 & REACH compliant



## 4 Pin definition



**Table1. Pin Definition**

| Pin Number | Pin Name        | I/O    | Description   |
|------------|-----------------|--------|---|
| 1          | T1              | -      | Manufacturer test only. Ensure to be floating.                          |
| 2          | SCL             | In     | I <sup>2</sup> C clock signal   |
| 3          | FOUT            | Out    | Frequency output. Controlled by FOE. Frequency can be set by FSEL bits. |
| 5          | T2              | -      | Manufacturer test only. Ensure to be floating.                          |
| 6          | V <sub>DD</sub> | -      | Power supply  |
| 7          | FOE             | In     | FOUT output control pin. "1" - enable FOUT, "0"- FOUT Hi-Z              |
| 8          | T5              | -      | Manufacturer test only. Ensure to be floating.                          |
| 9          | T4              | -      | Manufacturer test only. Ensure to be floating.                          |
| 10         | /INT            | Out    | Interrupt Output, Open-Drain  |
| 11         | GND             | -      | Ground  |
| 12         | T3              | -      | Manufacturer test only. Ensure to be floating.                          |
| 13         | SDA             | In/Out | I <sup>2</sup> C data signal  |
| 4, 14      | NC              | -      | Leave to be floated or connected to VDD or GND                          |



## 5 Electrical Characteristics

### 5.1 Absolute Maximum Ratings

**Table2. Absolute Maximum Ratings**

| Parameter            | Symbol            | Value   |      |                      | Unit | Notes               |
|----------------------|-------------------|---------|------|----------------------|------|---------------------|
|                      |                   | Min.    | Typ. | Max.                 |      |                     |
| Power Supply Voltage | V <sub>DD</sub>   | -0.3    |      | 6.5                  | V    |                     |
| Input Voltage        | V <sub>IN</sub>   | GND-0.3 |      | 6.5                  | V    | FOE, SCL, SDA input |
| Clock Output Voltage | V <sub>OUT1</sub> | GND-0.3 |      | V <sub>DD</sub> +0.3 | V    | FOUT output         |
| Output Voltage       | V <sub>OUT2</sub> | GND-0.3 |      | 6.5                  | V    | SDA, /INT output    |
| Storage temperature  | T <sub>STG</sub>  | -55     |      | 125                  | °C   |                     |

### 5.2 Recommended Operating Conditions

**Table3. Recommended Operating Conditions**

| Parameter             | Symbol           | Value |      |      | Unit | Notes |
|-----------------------|------------------|-------|------|------|------|-------|
|                       |                  | Min.  | Typ. | Max. |      |       |
| Power Supply Voltage  | V <sub>DD</sub>  | 1.6   | 3.0  | 5.5  | V    |       |
| Operation temperature | T <sub>OPR</sub> | -40   | 25   | 85   | °C   |       |

Note 1: V<sub>DD</sub> need to be supplied with more than 2.5V at least for the oscillation to stabilize (oscillation start time t<sub>STA</sub>).

Note2: After powered off, ensure that V<sub>DD</sub>=GND for more than 10 seconds before next power on

Note3: If there is no special indication, the test conditions are GND = 0V, V<sub>DD</sub> = 2.5V ~ 5.5V, T<sub>a</sub> = - 40 °C ~ + 85 °C

### 5.3 Frequency Characteristics

**Table4. Frequency Characteristics**

| Parameter                   | Symbol            | Value |      |      | Unit | Notes                 |
|-----------------------------|-------------------|-------|------|------|------|-----------------------|
|                             |                   | Min.  | Typ. | Max. |      |                       |
| Frequency stability         | Δf/f              | -3.4  |      | +3.4 | ppm  | -40°C ~ +85°C         |
| Oscillation start time      | t <sub>STA</sub>  |       |      | 1    | s    | @25°C                 |
| Year Aging                  | f <sub>a</sub>    |       |      | ±3   | ppm  | @25°C, First year     |
| Temperature Sensor Accuracy | T <sub>emp</sub>  |       |      | ±5   | °C   | V <sub>DD</sub> =3.0V |
| FOUT duty cycle             | t <sub>w</sub> /t | 40    | 50   | 60   | %    |                       |

Note: If there is no special indication, the test conditions are GND = 0V, V<sub>DD</sub> = 2.5V ~ 5.5V, T<sub>a</sub> = - 40 °C ~ + 85 °C





## 5.4 DC Characteristics

**Table5. DC Characteristics**

| Parameter                    | Symbol           | Value               |      |                     | Unit | Notes   |   |
|------------------------------|------------------|---------------------|------|---------------------|------|---|---|
|                              |                  | Min.                | Typ. | Max.                |      |   |   |
| Average Current consumption1 | I <sub>DD1</sub> |                     | 1.25 | 5.1                 | uA   | V <sub>DD</sub> =5.0V   | f <sub>SCL</sub> =0Hz, FOE=GND, /INT = V <sub>DD</sub> ;<br>FOUT off (High-Z); Compensation interval 2s;                      |
| Average Current consumption2 | I <sub>DD2</sub> |                     | 1.0  | 4.9                 |      | V <sub>DD</sub> =3.0V   |   |
| Average Current consumption3 | I <sub>DD3</sub> |                     | 5.8  | 20                  | uA   | V <sub>DD</sub> =5.0V   | f <sub>SCL</sub> =0Hz, FOE=V <sub>DD</sub> , /INT = V <sub>DD</sub> ;<br>FOUT:32.768kHz, CL=0pF;<br>Compensation interval 2s; |
| Average Current consumption4 | I <sub>DD4</sub> |                     | 3.8  | 19                  |      | V <sub>DD</sub> =3.0V   |   |
| High-level input voltage     | V <sub>IH</sub>  | 0.8*V <sub>DD</sub> |      | 5.5V                | V    | SCL, SDA, FOE pin   |   |
| Low-level input voltage      | V <sub>IL</sub>  | GND-0.3             |      | 0.2*V <sub>DD</sub> | V    |   |   |
| High-level output voltage    | V <sub>OH1</sub> | 4.0                 |      | 5.0                 | V    | V <sub>DD</sub> =5.0V, I <sub>OH</sub> = -1mA                 | FOUT pin  |
|                              | V <sub>OH2</sub> | 2.2                 |      | 3.0                 |      | V <sub>DD</sub> =3.0V, I <sub>OH</sub> = -1mA                 |   |
|                              | V <sub>OH3</sub> | 2.9                 |      | 3.0                 |      | V <sub>DD</sub> =3.0V, I <sub>OH</sub> = -100uA               |   |
| Low-level output voltage     | V <sub>OL1</sub> | GND                 |      | GND+0.5             | V    | V <sub>DD</sub> =5.0V, I <sub>OL</sub> = 1mA                  | FOUT pin  |
|                              | V <sub>OL2</sub> | GND                 |      | GND+0.8             |      | V <sub>DD</sub> =3.0V, I <sub>OL</sub> = 1mA                  |   |
|                              | V <sub>OL3</sub> | GND                 |      | GND+0.1             |      | V <sub>DD</sub> =3.0V, I <sub>OL</sub> = 100uA                |   |
|                              | V <sub>OL4</sub> | GND                 |      | GND+0.25            | V    | V <sub>DD</sub> =5.0V, I <sub>OL</sub> = 1mA                  | /INT pin  |
|                              | V <sub>OL5</sub> | GND                 |      | GND+0.4             |      | V <sub>DD</sub> =3.0V, I <sub>OL</sub> = 1mA                  |   |
|                              | V <sub>OL6</sub> | GND                 |      | GND+0.4             |      | V <sub>DD</sub> ≥3.0V, I <sub>OL</sub> = 3mA                  |   |
| Input leakage current        | I <sub>LK</sub>  | -0.5                |      | 0.5                 | uA   | FOE, SDA, SCL pin, V <sub>IN</sub> = V <sub>DD</sub> or GND   |   |
| Output leakage current       | I <sub>OZ</sub>  | -0.5                |      | 0.5                 | uA   | FOUT, SDA, /INT pin, V <sub>IN</sub> = V <sub>DD</sub> or GND |   |

Note: If there is no special indication, the test conditions are GND = 0V, VDD = 2.5V ~ 5.5V, Ta = -40 °C ~ + 85 °C



### 5.5 AC Characteristics

**Table6. AC Characteristics**

V<sub>DD</sub>=2.5V ~ 5.5V; Ta=-40°C ~ +85°C

| Parameter  | Symbol              | Value |      |      | Unit |
|--|---------------------|-------|------|------|------|
|  |                     | Min.  | Typ. | Max. |      |
| SCL clock frequency                                      | f <sub>SCL</sub>    |       |      | 400  | kHz  |
| SCL low level time                                       | t <sub>LOW</sub>    | 1.3   |      |      | us   |
| SCL high level time                                      | t <sub>HIGH</sub>   | 0.6   |      |      | us   |
| Start condition setup time                               | t <sub>HD;STA</sub> | 0.6   |      |      | us   |
| Start condition hold time                                | t <sub>SU;STA</sub> | 0.6   |      |      | us   |
| Stop condition setup time                                | t <sub>SU;STO</sub> | 0.6   |      |      | us   |
| Bus idle time between start condition and stop condition | t <sub>RCV</sub>    | 1.3   |      |      | us   |
| Data setup time  | t <sub>SU;DAT</sub> | 100   |      |      | ns   |
| Data hold time   | t <sub>HD;DAT</sub> | 0     |      | 0.9  | us   |
| SCL, SDA rising time                                     | t <sub>r</sub>      |       |      | 0.3  | us   |
| SCL, SDA falling time                                    | t <sub>f</sub>      |       |      | 0.3  | us   |

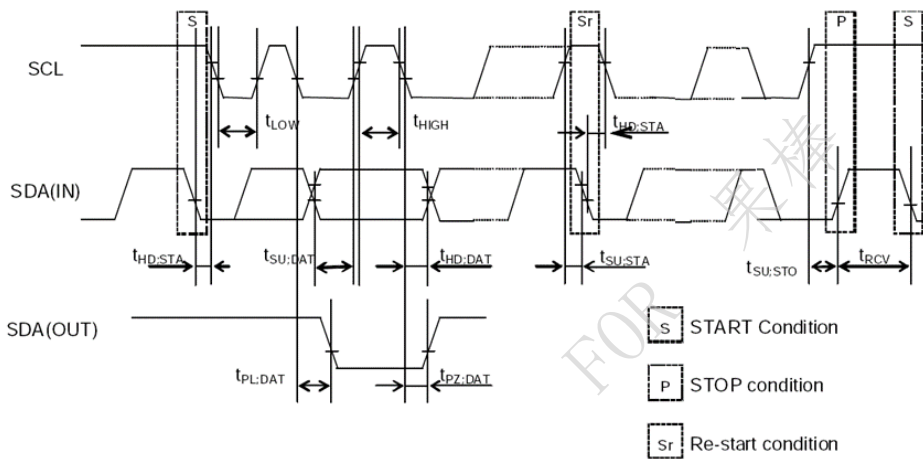


Figure 2. I<sup>2</sup>C bus Timing Chart

Note: when the master equipment accesses the equipment through I2C bus, all communication from sending start condition to sending stop shall be completed within 1 second. If it exceeds 1 second, the I2C bus interface will be reset through the internal bus timeout function.



## 6 Registers

### 6.1 Register Lists

Address 0x00~0x0F: Basic Time and Calendar Registers

Address 0x10~0x1F: Extended Register Group 1

Address 0x20~30: Extended Register Group 2

Note: 0x10~16 and 0x00~06 with the same function, 0x1B~1F and 0x0B~0F with the same function

**Table7. Basic Time and Calendar Registers**

| Address | Function           | bit7                           | bit6                             | bit5                           | bit4                            | bit3                             | bit2     | bit1     | bit0     | R/W |
|---------|--------------------|--------------------------------|----------------------------------|--------------------------------|---------------------------------|----------------------------------|----------|----------|----------|-----|
| 0x00    | SEC                | ○                              | BCD code, Second tens place, 0-5 |                                |                                 | BCD code, Second ones place, 0-9 |          |          |          | R/W |
| 0x01    | MIN                | ○                              | BCD code, Minute tens place, 0-5 |                                |                                 | BCD code, Minute ones place, 0-9 |          |          |          | R/W |
| 0x02    | HOUR               | ○                              | ○                                | BCD code, Hour tens place, 0-2 |                                 | BCD code, Hour ones place, 0-9   |          |          |          | R/W |
| 0x03    | WEEK               | ○                              | 6                                | 5                              | 4                               | 3                                | 2        | 1        | 0        | R/W |
| 0x04    | DAY                | ○                              | ○                                | BCD code, Day tens place, 0-3  |                                 | BCD code, Day ones place, 0-9    |          |          |          | R/W |
| 0x05    | MONTH              | ○                              | ○                                | ○                              | BCD code, Month tens place, 0-1 | BCD code, Month ones place, 0-9  |          |          |          | R/W |
| 0x06    | YEAR               | BCD code, Year tens place, 0-9 |                                  |                                |                                 | BCD code, Year ones place, 0-9   |          |          |          | R/W |
| 0x07    | RAM                | ●                              | ●                                | ●                              | ●                               | ●                                | ●        | ●        | ●        | R/W |
| 0x08    | MIN Alarm          | AE                             | BCD code, Minute tens place, 0-5 |                                |                                 | BCD code, Minute ones place, 0-9 |          |          |          | R/W |
| 0x09    | HOUR Alarm         | AE                             | ●                                | BCD code, Hour tens place, 0-2 |                                 | BCD code, Hour ones place, 0-9   |          |          |          | R/W |
| 0x0A    | WEEK Alarm         | AE                             | 6                                | 5                              | 4                               | 3                                | 2        | 1        | 0        | R/W |
|         | DAY Alarm          |                                | ●                                | BCD code, Day tens place, 0-3  |                                 | BCD code, Day ones place, 0-9    |          |          |          | R/W |
| 0x0B    | Timer Counter 0    | 128                            | 64                               | 32                             | 16                              | 8                                | 4        | 2        | 1        | R/W |
| 0x0C    | Timer Counter 1    | ●                              | ●                                | ●                              | ●                               | 2048                             | 1024     | 512      | 256      | R/W |
| 0x0D    | Extension Register | TEST                           | WADA                             | USEL                           | TE                              | FSEL [1]                         | FSEL [0] | TSEL [1] | TSEL [0] | R/W |
| 0x0E    | Flag Register      | ○                              | ○                                | UF                             | TF                              | AF                               | ○        | VLF      | VDET     | R/W |
| 0x0F    | Control Register   | CSEL [1]                       | CSEL [0]                         | UIE                            | TIE                             | AIE                              | ○        | ○        | RESET    | R/W |

**Table8. Extended Register Group 1**

| Address | Function | bit7 | bit6                             | bit5                | bit4 | bit3                             | bit2 | bit1 | bit0 | R/W |
|---------|----------|------|----------------------------------|---------------------|------|----------------------------------|------|------|------|-----|
| 0x10    | SEC      | ○    | BCD code, Second tens place, 0-5 |                     |      | BCD code, Second ones place, 0-9 |      |      |      | R/W |
| 0x11    | MIN      | ○    | BCD code, Minute tens place, 0-5 |                     |      | BCD code, Minute ones place, 0-9 |      |      |      | R/W |
| 0x12    | HOUR     | ○    | ○                                | BCD code, Hour tens |      | BCD code, Hour ones place, 0-9   |      |      |      | R/W |



| Address | Function           | bit7                           | bit6     | bit5                          | bit4                            | bit3                            | bit2     | bit1     | bit0     | R/W |
|---------|--------------------|--------------------------------|----------|-------------------------------|---------------------------------|---------------------------------|----------|----------|----------|-----|
|         |                    |                                |          | place, 0-2                    |                                 |                                 |          |          |          |     |
| 0x13    | WEEK               | ○                              | 6        | 5                             | 4                               | 3                               | 2        | 1        | 0        | R/W |
| 0x14    | DAY                | ○                              | ○        | BCD code, Day tens place, 0-3 |                                 | BCD code, Day ones place, 0-9   |          |          |          | R/W |
| 0x15    | MONTH              | ○                              | ○        | ○                             | BCD code, Month tens place, 0-1 | BCD code, Month ones place, 0-9 |          |          |          | R/W |
| 0x16    | YEAR               | BCD code, Year tens place, 0-9 |          |                               |                                 | BCD code, Year ones place, 0-9  |          |          |          | R/W |
| 0x17    | TEMP               | 128                            | 64       | 32                            | 16                              | 8                               | 4        | 2        | 1        | R   |
| 0x18    | RSV                | Reserved                       |          |                               |                                 |                                 |          |          |          | R/W |
| 0x19    | Not use            | ○                              | ○        | ○                             | ○                               | ○                               | ○        | ○        | ○        | R   |
| 0x1A    | Not use            | ○                              | ○        | ○                             | ○                               | ○                               | ○        | ○        | ○        | R   |
| 0x1B    | Timer Counter 0    | 128                            | 64       | 32                            | 16                              | 8                               | 4        | 2        | 1        | R/W |
| 0x1C    | Timer Counter 1    | ●                              | ●        | ●                             | ●                               | 2048                            | 1024     | 512      | 256      | R/W |
| 0x1D    | Extension Register | TEST                           | WADA     | USEL                          | TE                              | FSEL [1]                        | FSEL [0] | TSEL [1] | TSEL [0] | R/W |
| 0x1E    | Flag Register      | ○                              | ○        | UF                            | TF                              | AF                              | ○        | VLF      | VDET     | R/W |
| 0x1F    | Control Register   | CSEL [1]                       | CSEL [0] | UIE                           | TIE                             | AIE                             | ○        | ○        | RESET    | R/W |

**Table9. Extended Register Group2**

| Address | Function  | bit7                        | bit6 | bit5   | bit4 | bit3        | bit2   | bit1 | bit0 | R/W |
|---------|-----------|-----------------------------|------|--------|------|-------------|--------|------|------|-----|
| 0x20    | Device ID | Vendor ID[3:0]              |      |        |      | Ver[3:0]    |        |      |      | R   |
| 0x21    | RSV       | Reserved: Ensure to be 0x80 |      |        |      |             |        |      |      | R/W |
| 0x22-24 | RSV       | Reserved: Not use           |      |        |      |             |        |      |      | R/W |
| 0x25    | Offset0   | ○                           | ○    | ○      | ○    | ○           | S[4:2] |      |      | R/W |
| 0x26    | Offset1   | S[1:0]                      |      | D[5:0] |      |             |        |      |      | R/W |
| 0x27    | SubSEC    | Reserved                    |      |        |      | SubSEC[3:0] |        |      |      | R   |
| 0x28-30 | RSV       | Reserved: Ensure to be 0x00 |      |        |      |             |        |      |      | R/W |

Note:

1, After power-up reset or in case VLF bit returns “1”, make sure to initialize all registers to default state before using the RTC. Ensure all inputs are in the required range and the defined values are set for the reserved bits in case the clock cannot work normally.

- ✓ During the initial power-up, below bits will be in the state as below:  
Initial 0: TEST, WADA, USEL, TE, FSEL[1:0], TSEL[0], UF, TF, AF, CSEL[1], UIE, TIE, RESET,  
Initial 1: VLF, VDET, CSEL[0].
- ✓ All other register values are undefined, so make sure to reset the module before using it.
- ✓ The bits marked with “○” can be read out “0” only after initializing.
- ✓ The bits marked with “●” are RAM bits which can be used to write or read any data.
- ✓ Only 0 can be written to UF, TF, AF, VLF, VDET bits.
- ✓ Make sure “0” to be written for TEST bits which are used for testing only.
- ✓ Reserved bits must be set to the defined values accordingly.



## 6.2 Details of Registers

### 6.2.1 Clock counter registers

| Address | Function | bit7 | bit6                             | bit5                           | bit4 | bit3                             | bit2 | bit1 | bit0 | Default |
|---------|----------|------|----------------------------------|--------------------------------|------|----------------------------------|------|------|------|---------|
| 0x00/10 | SEC      | ○    | BCD code, Second tens place, 0-5 |                                |      | BCD code, Second ones place, 0-9 |      |      |      | 0x00    |
| 0x01/11 | MIN      | ○    | BCD code, Minute tens place, 0-5 |                                |      | BCD code, Minute ones place, 0-9 |      |      |      | 0x00    |
| 0x02/12 | HOUR     | ○    | ○                                | BCD code, Hour tens place, 0-2 |      | BCD code, Hour ones place, 0-9   |      |      |      | 0x00    |

SEC: BCD format, Value: 0~59

MIN: BCD format, Value: 0~59

HOUR: BCD format, Value: 0~23

| Address | Function | bit7 | bit6 | bit5 | bit4 | bit3 | bit2 | bit1 | bit0 | Default |
|---------|----------|------|------|------|------|------|------|------|------|---------|
| 0x03/13 | WEEK     | ○    | 6    | 5    | 4    | 3    | 2    | 1    | 0    | 0x40    |

WEEK: Value 01h, 02h, 04h, 08h, 10h, 20h, 40h. Only one bit can be set to 1 each time, all others must be set to 0.

**Table10. WEEK Register**

| WEEK      | Data | bit7 | bit6 | bit5 | bit4 | bit3 | bit2 | bit1 | bit0 |
|-----------|------|------|------|------|------|------|------|------|------|
| Sunday    | 01h  | 0    | 0    | 0    | 0    | 0    | 0    | 0    | 1    |
| Monday    | 02h  | 0    | 0    | 0    | 0    | 0    | 0    | 1    | 0    |
| Tuesday   | 04h  | 0    | 0    | 0    | 0    | 0    | 1    | 0    | 0    |
| Wednesday | 08h  | 0    | 0    | 0    | 0    | 1    | 0    | 0    | 0    |
| Thursday  | 10h  | 0    | 0    | 0    | 1    | 0    | 0    | 0    | 0    |
| Friday    | 20h  | 0    | 0    | 1    | 0    | 0    | 0    | 0    | 0    |
| Saturday  | 40h  | 0    | 1    | 0    | 0    | 0    | 0    | 0    | 0    |

| Address | Function | bit7 | bit6 | bit5                          | bit4 | bit3                          | bit2 | bit1 | bit0 | Default |
|---------|----------|------|------|-------------------------------|------|-------------------------------|------|------|------|---------|
| 0x04/14 | DAY      | ○    | ○    | BCD code, Day tens place, 0-3 |      | BCD code, Day ones place, 0-9 |      |      |      | 0x01    |

DAY: BCD format, the value range will be adjusted automatically according to the month setting and if a leap year or not .

**Table11. DAY Register Value**

| Month                   | Day Value Range |
|-------------------------|-----------------|
| 1, 3, 5, 7, 8, 10, 12   | 1~31            |
| 4, 6, 9, 11             | 1~30            |
| February in normal year | 1~28            |
| February in leap year   | 1~29            |

| Address | Function | bit7 | bit6 | bit5 | bit4            | bit3                            | bit2 | bit1 | bit0 | Default |
|---------|----------|------|------|------|-----------------|---------------------------------|------|------|------|---------|
| 0x05/15 | MONTH    | ○    | ○    | ○    | BCD code, Month | BCD code, Month ones place, 0-9 |      |      |      | 0x01    |



| Address | Function | bit7                           | bit6 | bit5 | bit4            | bit3                           | bit2 | bit1 | bit0 | Default |
|---------|----------|--------------------------------|------|------|-----------------|--------------------------------|------|------|------|---------|
|         |          |                                |      |      | tens place, 0-1 |                                |      |      |      |         |
| 0x06/16 | YEAR     | BCD code, Year tens place, 0-9 |      |      |                 | BCD code, Year ones place, 0-9 |      |      |      | 0x00    |

MONTH: BCD format, Value1~12

YEAR: BCD format, Value0~99(2000~2099)

Example: 2020/01/01 Wednesday 21:18:36

| Address | Function | bit7 | bit6 | bit5 | bit4 | bit3 | bit2 | bit1 | bit0 |
|---------|----------|------|------|------|------|------|------|------|------|
| 0x00/10 | SEC      | ○    | 0    | 1    | 1    | 0    | 1    | 1    | 0    |
| 0x01/11 | MIN      | ○    | 0    | 0    | 1    | 1    | 0    | 0    | 0    |
| 0x02/12 | HOUR     | ○    | ○    | 1    | 0    | 0    | 0    | 0    | 1    |
| 0x03/13 | WEEK     | ○    | 0    | 0    | 0    | 1    | 0    | 0    | 0    |
| 0x04/14 | DAY      | ○    | ○    | 0    | 0    | 0    | 0    | 0    | 1    |
| 0x05/15 | MONTH    | ○    | ○    | ○    | 0    | 0    | 0    | 0    | 1    |
| 0x06/16 | YEAR     | 0    | 0    | 1    | 0    | 0    | 0    | 0    | 0    |

### 6.2.2 Alarm registers

| Address | Function   | bit7 | bit6                             | bit5                           | bit4 | bit3                             | bit2 | bit1 | bit0 | Default |
|---------|------------|------|----------------------------------|--------------------------------|------|----------------------------------|------|------|------|---------|
| 0x08    | MIN Alarm  | AE   | BCD code, Minute tens place, 0-5 |                                |      | BCD code, Minute ones place, 0-9 |      |      |      | 0x00    |
| 0x09    | HOUR Alarm | AE   | ●                                | BCD code, Hour tens place, 0-2 |      | BCD code, Minute ones place, 0-9 |      |      |      | 0x00    |
| 0x0A    | WEEK Alarm | AE   | 6                                | 5                              | 4    | 3                                | 2    | 1    | 0    | 0x00    |
|         | DAY Alarm  |      | ●                                | BCD code, Day tens place, 0-3  |      | BCD code, Day ones place, 0-9    |      |      |      |         |

According to AIE, AF, WADA bits setting, the alarm interrupt will be generated once the current time match the settings in the above registers, the /INT pin goes to low level and AF bit is set to '1' to record an alarm interrupt event has occurred.

WEEK Alarm/DAY Alarm: Controlled by WADA bit in 0x0D register

AE: Alarm Enable bit, 0-enable; 1-disable

AF: Defined in 0x0E register bit3

AIE: Defined in 0x0F register bit3

### 6.2.3 Timer control registers

| Address | Function           | bit7 | bit6 | bit5 | bit4 | bit3 | bit2 | bit1 | bit0 | Default |
|---------|--------------------|------|------|------|------|------|------|------|------|---------|
| 0x0B/1B | Timer Counter<br>0 | 128  | 64   | 32   | 16   | 8    | 4    | 2    | 1    | 0x00    |
| 0x0C/1C | Timer Counter<br>1 | ●    | ●    | ●    | ●    | 2048 | 1024 | 512  | 256  | 0x00    |

According to TE, TF, TIE, TSEL[1:0] bits setting, a timer interrupt will be generated once the value counts down to 0 from the one set in the above registers.

TE: Defined in 0x0D register bit4

TF: Defined in 0x0E register bit4

TIE: Defined in 0x0F register bit4



TSEL[1:0]: Defined in 0x0D register bit1 and bit0

### 6.2.4 Extension registers

| Address | Function           | bit7 | bit6 | bit5 | bit4 | bit3    | bit2    | bit1    | bit0    | Default |
|---------|--------------------|------|------|------|------|---------|---------|---------|---------|---------|
| 0x0D/1D | Extension Register | TEST | WADA | USEL | TE   | FSEL[1] | FSEL[0] | TSEL[1] | TSEL[0] | 0x02    |

TEST: Test bit, must be set to “0”

WADA: Week Alarm/Day Alarm control bit, decide 0x0A register as DAY Alarm or WEEK Alarm. 0-WEEK alarm, 1-DAY alarm

USEL: Update Interrupt Select bit, 0-output interrupt once a second, 1-output interrupt once a minute

TE: Timer Enable bit, 0-disable, 1-enable

FSEL[1], FSEL[0]: FOUT frequency setting:

| FSEL[1] | FSEL[0] | FOUT Frequency      |
|---------|---------|---------------------|
| 0       | 0       | 32.768KHz (Default) |
| 0       | 1       | 1024Hz              |
| 1       | 0       | 1Hz                 |
| 1       | 1       | 32.768KHz           |

TSEL[1], TSEL[0]: Timer countdown period(source clock) setting:

| TSEL[1] | TSEL[0] | Source clock |
|---------|---------|--------------|
| 0       | 0       | 4096Hz       |
| 0       | 1       | 64Hz         |
| 1       | 0       | 1Hz          |
| 1       | 1       | 1/60Hz       |

### 6.2.5 Flag registers

| Address | Function      | bit7 | bit6 | bit5 | bit4 | bit3 | bit2 | bit1 | bit0 | Default |
|---------|---------------|------|------|------|------|------|------|------|------|---------|
| 0x0E/1E | Flag Register | ○    | ○    | UF   | TF   | AF   | ○    | VLF  | VDET | 0x03    |

UF: Update flag bit. When time update interrupt event occurs, it will be set to “1” and keeps “1” until a “0” is written to it.

TF: Timer Flag bit. When a fixed-cycle timer interrupt event occurs, it will be set to “1” and keeps “1” until a “0” is written to it.

AF: Alarm Flag bit. When an alarm interrupt event occurs, it will be set to “1” and keeps “1” until a “0” is written to it.

VLF: Voltage Low Flag bit. When supply voltage is lower than 1.4V, it will be set to “1” and keeps “1” until a “0” is written to it.

VDET: Voltage Detection Flag bit. When supply voltage is lower than 2.1V, it will be set to “1” and keeps “1” until a “0” is written to it.



### 6.2.6 Control registers

| Address | Function         | bit7     | bit6     | bit5 | bit4 | bit3 | bit2 | bit1 | bit0  | Default |
|---------|------------------|----------|----------|------|------|------|------|------|-------|---------|
| 0x0F/1F | Control Register | CSEL [1] | CSEL [0] | UIE  | TIE  | AIE  | ○    | ○    | RESET | 0x40    |

CSEL[1], CSEL[0]: Compensation interval Select 1, 0 bits, used to set temperature compensation interval.

| CSEL[1] | CSEL[0] | Compensation interval |
|---------|---------|-----------------------|
| 0       | 0       | 0.5s                  |
| 0       | 1       | 2s(default)           |
| 1       | 0       | 10s                   |
| 1       | 1       | 30s                   |

UIE: Update Interrupt Enable bit. When UF changes from “0” to “1”, this bit controls if an interrupt signal is generated. 0-disable (/INT keeps Hi-Z), 1-enable (/INT status changes from Hi-Z to Low).

TIE: Timer Interrupt Enable bit: When TF changes from “0” to “1”, this bit controls if an interrupt signal is generated. 0-disable (/INT keeps Hi-Z), 1-enable (/INT status changes from Hi-Z to Low).

AIE: Alarm Interrupt Enable bit: When AF changes from “0” to “1”, this bit controls if an interrupt signal is generated. 0-disable (/INT keeps Hi-Z), 1-enable (/INT status changes from Hi-Z to Low).

RESET: Reset IC, prepared for the synchronized starting of time or timer.

### 6.2.7 Temperature register

| Address | Function | bit7 | bit6 | bit5 | bit4 | bit3 | bit2 | bit1 | bit0 | Default |
|---------|----------|------|------|------|------|------|------|------|------|---------|
| 0x17    | TEMP     | 128  | 64   | 32   | 16   | 8    | 4    | 2    | 1    | 0x00    |

Read digital temperature data, Temp [°C] = (TEMP[7:0] \* 2 - 147.5) / 3.0448.

### 6.2.8 Device ID register

| Address | Function  | bit7          | bit6 | bit5 | bit4 | bit3     | bit2 | bit1 | bit0 | Default |
|---------|-----------|---------------|------|------|------|----------|------|------|------|---------|
| 0x20    | Device ID | VendorID[3:0] |      |      |      | Ver[3:0] |      |      |      | 0xD2    |

VendorID[3:0]: The fixed value is defined as VendorID[3:0]=1101b=Dh to represent DAPU.

Ver[3:0]: version of the IC

### 6.2.9 RSV register

| Address       | Function | bit7                   | bit6 | bit5 | bit4 | bit3 | bit2 | bit1 | bit0 | Default |
|---------------|----------|------------------------|------|------|------|------|------|------|------|---------|
| 0x21          | RSV      | Reserved: must be 0x80 |      |      |      |      |      |      |      | 0x80    |
| 0x22~<br>0x24 | RSV      | Reserved: Not use      |      |      |      |      |      |      |      | 0x00    |

### 6.2.10 Frequency Offset register

| Address | Function          | bit7     | bit6     | bit5     | bit4     | bit3     | bit2  | bit1  | bit0  | Default |
|---------|-------------------|----------|----------|----------|----------|----------|-------|-------|-------|---------|
| 0x25    | Frequency Offset0 | Reserved | Reserved | Reserved | Reserved | Reserved | S [4] | S [3] | S [2] | 0x00    |
| 0x26    | Frequency Offset1 | S [1]    | S [0]    | D [5]    | D [4]    | D [3]    | D [2] | D [1] | D [0] | 0x00    |





S [4:0]: Sign bits. Only 2b' 0 0000 and 2b' 1 1111 is legitimate.

D [5:0]: Data bits

| S [4:0]    | D [5:0]    | Frequency Adjustment (ppm)      |
|------------|------------|---------------------------------|
| 2b' 0 0000 | 2b'00 0000 | 0 (Default)                     |
|            | 2b'00 0001 | -0.1                            |
|            | 2b'00 0010 | -0.2                            |
|            | ...        | ...                             |
|            | 2b'11 1110 | -6.2                            |
|            | 2b'11 1111 | -6.3                            |
| 2b' 1 1111 | 2b'11 1111 | +0.1                            |
|            | 2b'11 1110 | +0.2                            |
|            | ...        | ...                             |
|            | 2b'00 0010 | +6.2                            |
|            | 2b'00 0001 | +6.3                            |
| Other's    | Other's    | Invalid value, must be avoided. |

Note: \*The Frequency offset register affects the frequency stability. Please be careful if you adjust it.

The offset function is effective for frequency adjustment at the normal temperature.

The single adjustment amount of 0.1ppm is approximate value.

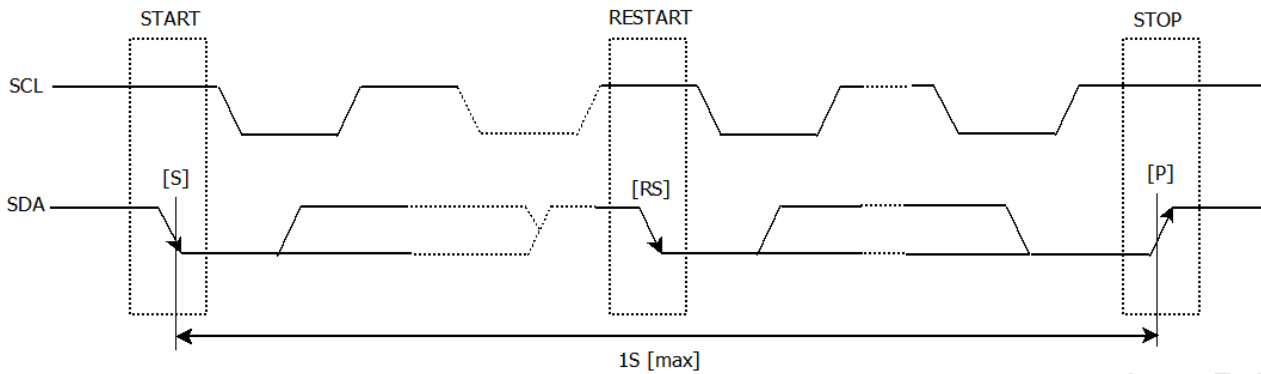
### 6.2.11 Sub-second timer register

| Address | Function | bit7     | bit6 | bit5 | bit4 | bit3        | bit2 | bit1 | bit0 | Default |
|---------|----------|----------|------|------|------|-------------|------|------|------|---------|
| 0x27    | SubSEC   | Reserved |      |      |      | SubSEC[3:0] |      |      |      | 0x00    |

SubSEC[3:0]: sub second bit, and unit is 1/16s.



## 7 I<sup>2</sup>C Bus Interface



I<sup>2</sup>C bus supports bi-directional communications through a serial clock line SCL and a serial data line SDA. I<sup>2</sup>C bus device can be defined as “Master” and “Slave”. INS5T8025 can only be used as Slave.

### 7.1 Cautions

I<sup>2</sup>C bus includes START, RESTART, STOP conditions, the duration between START and STOP must be less than 1 second just in case the bus to be set to standby mode automatically. A new START condition must be transferred before restarting of any communications.

INS5T8025 I<sup>2</sup>C bus interface supports single byte read/write operations as well as multiple bytes incremental access. After 0xFF address, the next one will be 0x00.

### 7.2 Slave Address

Table12. I<sup>2</sup>C Bus Slave Address

| Transfer data | Slave address |      |      |      |      |      |      | R/W       |
|---------------|---------------|------|------|------|------|------|------|-----------|
|               | bit7          | bit6 | bit5 | bit4 | bit3 | bit2 | bit1 | bit0      |
| 65h (Read)    | 0             | 1    | 1    | 0    | 0    | 1    | 0    | 1 (Read)  |
| 64h (Write)   |               |      |      |      |      |      |      | 0 (Write) |

INS5T8025 I<sup>2</sup>C bus Slave Address is [0110 010\*].

### 7.3 I<sup>2</sup>C bus protocol

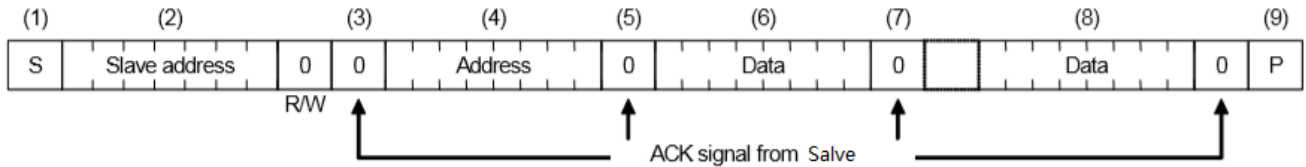
It is assumed CPU is master and INS5T8025 is slave in this section.

#### 7.3.1 Write process

I<sup>2</sup>C bus includes an address auto-increment function, once the initial address has been specified, the INS5T8025 increments (+1) the address automatically after each data is sent, then to write next data.



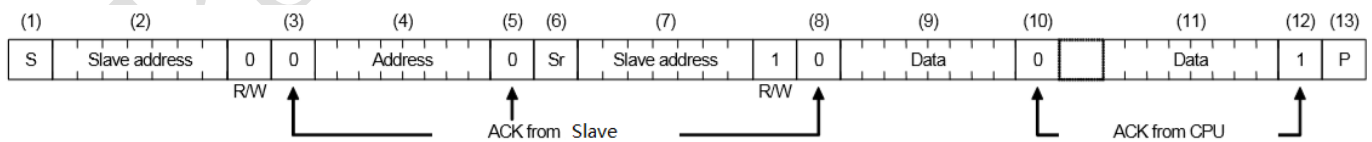
- (1) CPU sends start condition[S]
- (2) CPU sends INS5T8025's slave address with R/W bit to set to write mode
- (3) CPU verifies ACK signal from INS5T8025
- (4) CPU sends write address to INS5T8025
- (5) CPU verifies ACK signal from INS5T8025
- (6) CPU sends write data to the address specified at step (4)
- (7) CPU verifies ACK signal from INS5T8025
- (8) Repeat (6) (7) if multiple bytes need to be written, address will be incremented automatically
- (9) CPU ends stop condition[P]



### 7.3.2 Read process

Writing the address to be read with write mode firstly, then reading the data with read mode.

- (1) CPU sends start condition[S]
- (2) CPU sends INS5T8025's slave address with R/W bit to set to write mode
- (3) CPU verifies ACK signal from INS5T8025
- (4) CPU sends address for reading from INS5T8025
- (5) CPU verifies ACK signal from INS5T8025
- (6) CPU sends RESTART condition [Sr]
- (7) CPU sends INS5T8025's slave address with R/W bit to set to read mode
- (8) CPU verifies ACK signal from INS5T8025
- (9) CPU reads data from the specified address in step (4)
- (10) CPU sends ACK signal for "0"
- (11) Repeat (9) (10) if multiple bytes need to be read, address will be incremented automatically
- (12) CPU sends ACK signal for "1"
- (13) CPU sends stop condition[P]





## 8 Reflow Soldering Curve

Standard: IPC/JEDEC J-STD-020

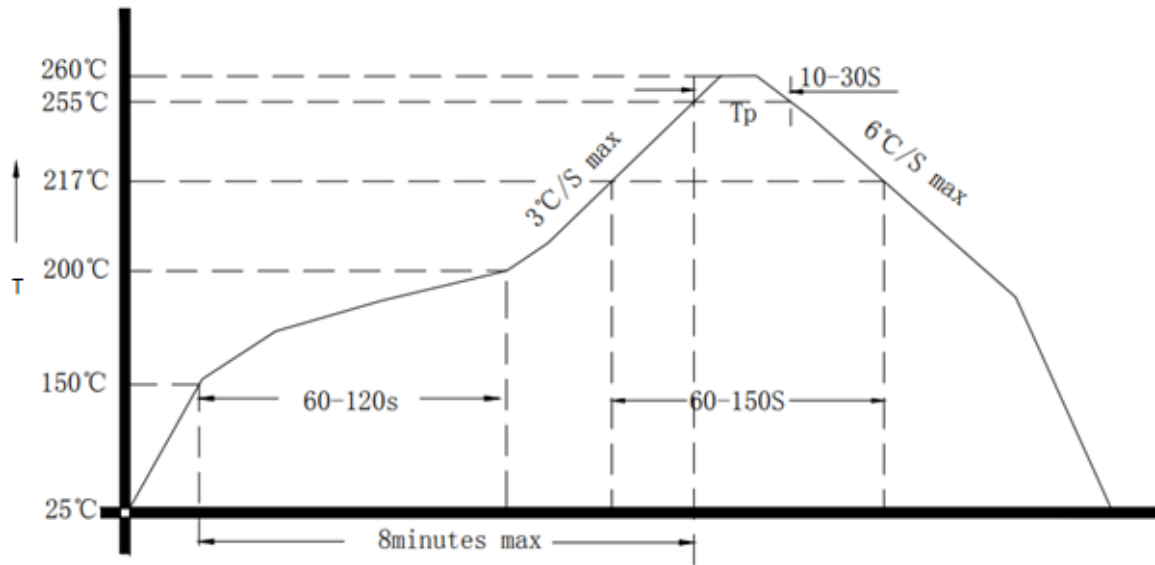
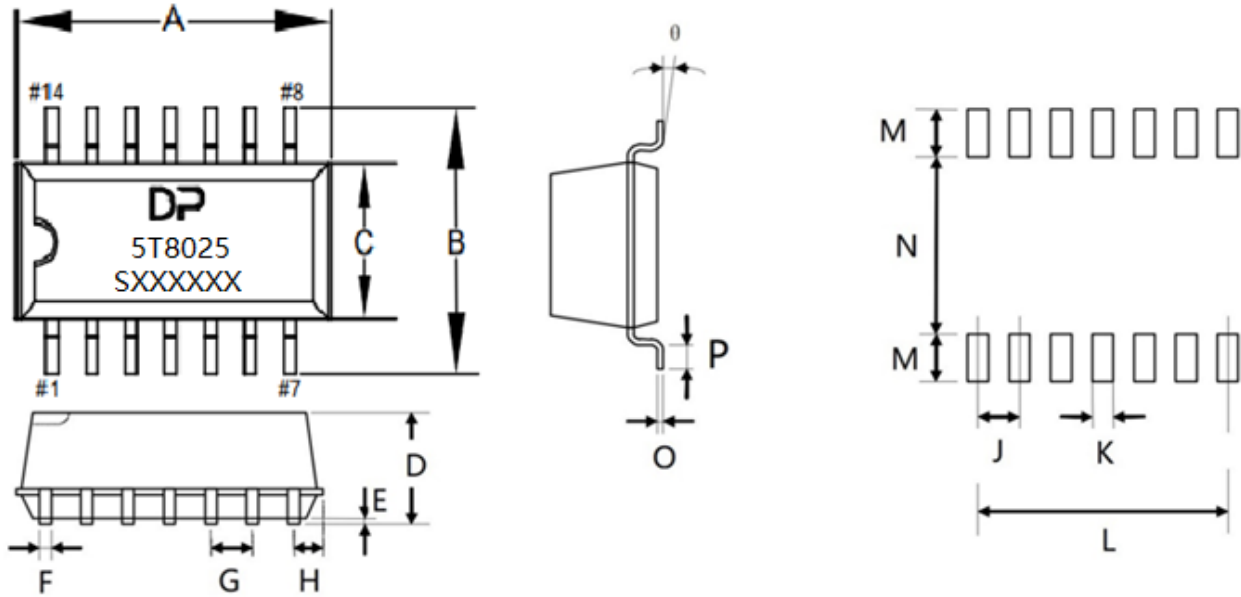


Figure 3. Reflow Soldering Curve

Note: It is suggested to solder IC under the condition shown in the curve above. Must pay attention to the temperature and time when manual soldering, if the temperature over +260°C, or you will make the xo performance bad, even damage it.



# 9 Package Dimensions



| Dimension | Min.  | Typ.  | Max.  |
|-----------|-------|-------|-------|
| A         | 10.0  | 10.1  | 10.2  |
| B         | 7.2   | 7.4   | 7.6   |
| C         | 4.9   | 5.0   | 5.1   |
| D         | 3.1   | 3.2   | 3.3   |
| E         | 0.055 | --    | 0.205 |
| F         | --    | 0.406 | --    |
| G         | --    | 1.27  | --    |
| H         | --    | 1.2   | --    |
| P         | 0.5   | 0.6   | 0.7   |
| O         | --    | 0.13  | --    |
| θ         | 1°    |       | 8°    |

Unit: mm

| Dimension | Typ. |
|-----------|------|
| J         | 1.27 |
| K         | 0.7  |
| L         | 7.62 |
| M         | 1.4  |
| N         | 5.4  |

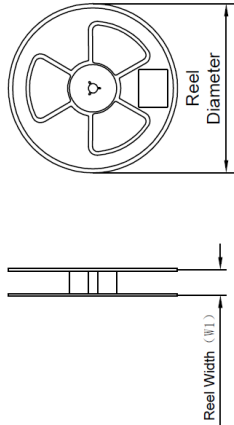
Unit: mm

Figure 4. Recommended Soldering Pattern and Dimension

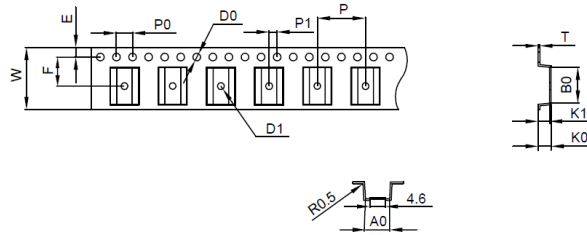


# 10 Packing Information

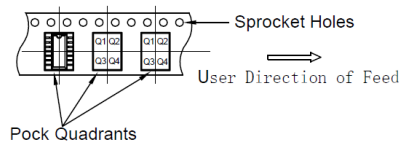
REEL DIMENSIONS



TAPE DIMENSIONS



QUADRANT ASSIGNMENTS FOR PIN 1 ORIENTATION IN TAPE



| Device    | Package Type | Pins | SPQ     | Reel Diameter (mm) | Reel Width W1 (mm) | A0 (mm)  | B0 (mm)   | D0 (mm)       | D1 (mm)       | E (mm)    | F (mm)   | T (mm)    | K0 (mm)  | K1 (mm)  | W (mm)         | P (mm)    | P0 (mm)  | P1 (mm)  | PIN1 Quadrant |
|-----------|--------------|------|---------|--------------------|--------------------|----------|-----------|---------------|---------------|-----------|----------|-----------|----------|----------|----------------|-----------|----------|----------|---------------|
| INS5T8025 | SOP          | 14   | 1500pcs | 330                | 16                 | 8.0 ±0.1 | 10.4 ±0.1 | 1.5 +0.1 -0.0 | 1.5 +0.1 -0.0 | 1.75 ±0.1 | 7.5 ±0.1 | 0.3 ±0.05 | 3.8 ±0.1 | 3.5 ±0.1 | 16.0 +0.3 -0.3 | 12.0 ±0.1 | 4.0 ±0.1 | 2.0 ±0.1 | Q1            |

Figure 5. Packing Information