



## INS5101A—Low Power Consumption I<sup>2</sup>C RTC

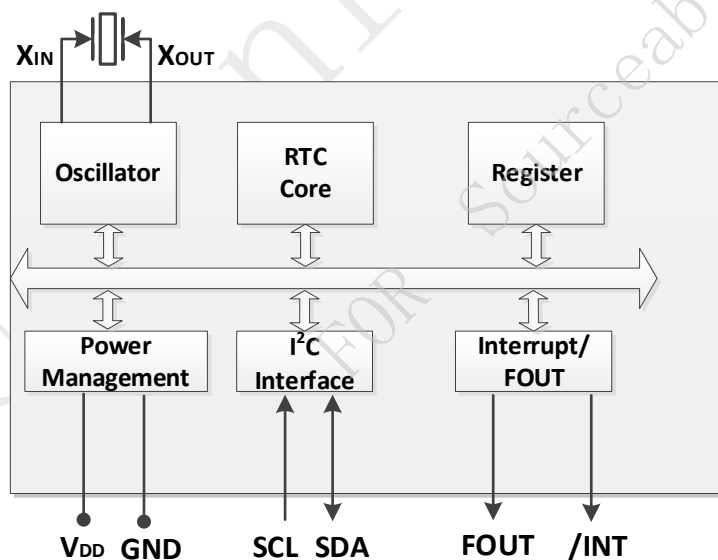
### Key Features

- Low Current Consumption: 0.8uA (Typ.)
- Timer, Alarm and Interrupt
- Frequency Output
- Communication Interface: I<sup>2</sup>C bus
- Build-in 128bit RAM
- Integrated Oscillator Capacitors: 12.5pF/6pF
- Power Supply Voltage: 1.2V~5.5V
- Operation Temperature Range: -40°C ~ +85°C
- Leap Years Autocorrection
- Package: 4.9mm × 6.0mm × 1.6mm (SOP8)

### Ordering Information

Part Name	Manufacture Part Number (MPN)	Integrated Oscillator Capacitors	Package	Marking
INS5101A	INS5101A	12.5pF	SOP8	5101A
INS5101A	INS5101AA	6pF	SOP8	5101A

### Block Diagram



### Overview

INS5101A is an I<sup>2</sup>C bus interface real-time clock with low power consumption. It supports calendar (year, month, day, hour, minute, second), timer and alarm function. The SOP8 package makes it suitable to be used in portable electronic devices.

**Revision History**

Version	Change Contents	Prepared by	Revised Date
V1.0	Released Version		2021.11.30
V1.1	Parameter update		2022.07.07
V1.2	Add INS5101AA (6pf) Change Crystal's Rs from 100Kohm to 80Kohm		2022.08.01



# Index

<b>1</b>	<b>OVERVIEW</b> .....	<b>4</b>
<b>2</b>	<b>BLOCK DIAGRAM</b> .....	<b>4</b>
<b>3</b>	<b>FEATURES</b> .....	<b>4</b>
<b>4</b>	<b>PIN DEFINITION</b> .....	<b>5</b>
<b>5</b>	<b>ELECTRICAL CHARACTERISTICS</b> .....	<b>6</b>
5.1	ABSOLUTE MAXIMUM RATINGS .....	6
5.2	RECOMMENDED OPERATING CONDITIONS.....	6
5.3	OSCILLATOR CHARACTERISTICS .....	6
5.4	DC CHARACTERISTICS .....	7
5.5	AC CHARACTERISTICS.....	8
<b>6</b>	<b>REGISTERS</b> .....	<b>9</b>
6.1	REGISTER LISTS .....	9
6.2	DETAILS OF REGISTERS.....	10
6.2.1	<i>Clock counter registers</i> .....	10
6.2.2	<i>Alarm registers</i> .....	11
6.2.3	<i>Timer registers</i> .....	12
6.2.4	<i>Extension registers</i> .....	12
6.2.5	<i>Flag Register</i> .....	13
6.2.6	<i>Control Register</i> .....	13
<b>7</b>	<b>I<sup>2</sup>C BUS INTERFACE</b> .....	<b>14</b>
7.1	CAUTIONS.....	14
7.2	SLAVE ADDRESS .....	14
7.3	I <sup>2</sup> C BUS PROTOCOL .....	14
7.3.1	<i>Write process</i> .....	14
7.3.2	<i>Read process</i> .....	15
<b>8</b>	<b>REFLOW SOLDERING CURVE</b> .....	<b>16</b>
<b>9</b>	<b>DIMENSIONS AND MARKING INFORMATION</b> .....	<b>17</b>
<b>10</b>	<b>PACKAGE INFORMATION</b> .....	<b>18</b>



# 1 Overview

INS5101A is an I<sup>2</sup>C bus interface real-time clock with low power consumption. It supports calendar (year, month, day, hour, minute, second), timer and alarm function. The SOP8 package makes it suitable to be used in portable electronic devices.

# 2 Block Diagram

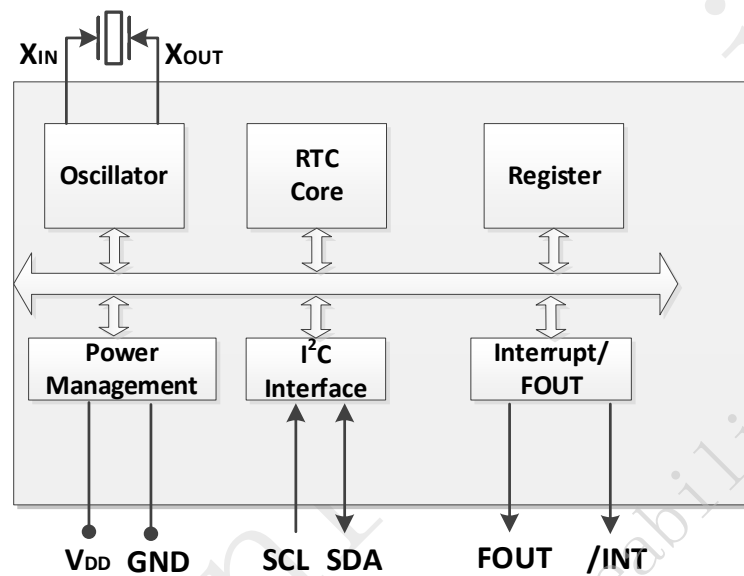


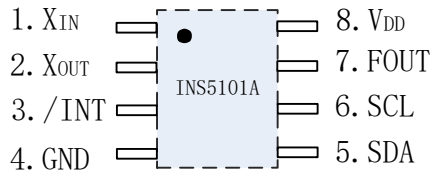
Figure 1. Block Diagram

# 3 Features

- Low Current Consumption:  
0.8 uA (Typ.)
- Communication Interface: I<sup>2</sup>C bus
- Alarm, Timer and Interruption
- Frequency Out
- Build-in 128bit RAM
- Integrated Oscillator Capacitors:  
12.5pF/6pF
- Power Supply Voltage:  
1.2V ~ 5.5V
- Leap Years Autocorrection
- Operation Temperature Range:  
-40°C ~ +85°C
- Package: 4.9 \* 6.0 \* 1.6mm (SOP8)



## 4 Pin Definition



**Table1. Pin Definition**

Pin Number	Pin Name	I/O	Description
1	X <sub>IN</sub>		Oscillator Input
2	X <sub>OUT</sub>		Oscillator Output
3	/INT	Out	This pin can be configured as output of Alarm、Timer、Time-update Interrupt or Frequency, effective when Low Voltage (Open-Drain)
4	GND	-	Ground
5	SDA	In/Out	I <sup>2</sup> C data signal
6	SCL	In	I <sup>2</sup> C clock signal
7	FOUT	Out	This pin can be configured as the output of timer or frequency, effective when Low Voltage (CMOS)
8	V <sub>DD</sub>	-	Power in



## 5 Electrical Characteristics

### 5.1 Absolute Maximum Ratings

**Table2. Absolute Maximum Ratings**

Parameter	Symbol	Value			Unit	Notes
		Min.	Typ.	Max.		
Power Supply Voltage	V <sub>DD</sub>	-0.3		6.5	V	
I/O Input Voltage	V <sub>IN</sub>	GND-0.3		6.5	V	SCL, SDA Input
Clock Output Voltage1	V <sub>OUT1</sub>	GND-0.3		V <sub>DD</sub> +0.3	V	FOUT
Clock Output Voltage2	V <sub>OUT2</sub>	GND-0.3		6.5	V	SDA, /INT Output
Storage Temperature	T <sub>STG</sub>	-55		125	°C	

### 5.2 Recommended Operating Conditions

**Table3. Recommended Operating Conditions**

Parameter	Symbol	Value			Unit	Notes
		Min.	Typ.	Max.		
Power Supply Voltage (normal mode)	V <sub>DD</sub>	1.6	3.0	5.5	V	*
Power Supply Voltage (Time keeping)	V <sub>DD</sub>	1.2	3.0	5.5	V	*
Operation Temperature	T <sub>OPR</sub>	-40	25	85	°C	

Note 1: V<sub>DD</sub> need to be supplied with more than 1.6V at least for the oscillator to work until stabilization.

Note 2: Ensure that the power on time from 0 to V<sub>DD</sub> is less than 100ms

### 5.3 Oscillator Characteristics

**Table4. Oscillator Characteristics**

Parameter	Symbol	Value			Unit	Notes
		Min.	Typ.	Max.		
<b>Oscillator</b>						
Integrated Capacitance	C		12.5		pF	INS5101A
			6		pF	INS5101AA
<b>External Crystal(32.768KHz)</b>						
Resistance	R <sub>S</sub>			80	kΩ	
Load Capacitance	C <sub>L</sub>		12.5		pF	INS5101A
			6		pF	INS5101AA
FOUT Duty cycle	t <sub>w</sub> /t	40	50	60	%	FOUT



## 5.4 DC Characteristics

**Table5. DC Characteristics**

Parameter	Symbol	Value			Unit	Notes	
		Min.	Typ.	Max.			
Average Current1	I <sub>DD1</sub>		1.0	3.0	uA	V <sub>DD</sub> =5.0V	Input pins are "L" f <sub>SCL</sub> = 0 Hz, /INT = OFF, FOUT = OFF
Average Current2	I <sub>DD2</sub>		0.8	2.8		V <sub>DD</sub> =3.0V	
Average Current3	I <sub>DD3</sub>		4.0	6.5		V <sub>DD</sub> =5.0V	FOUT = 32.768KHz (CL=15PF), /INT=OFF
Average Current4	I <sub>DD4</sub>		3.5	6.0		V <sub>DD</sub> =3.0V	
Input High Voltage	V <sub>IH</sub>	0.8*V <sub>DD</sub>		5.5	V	SCL, SDA	
Input Low Voltage	V <sub>IL</sub>	GND-0.3		0.2*V <sub>DD</sub>	V		
Output High Voltage	V <sub>OH1</sub>	4.5		5.0	V	V <sub>DD</sub> =5V, IOH=-1mA	FOUT
	V <sub>OH2</sub>	2.7		3.0		V <sub>DD</sub> =3V, IOH=-0.5mA	
Output Low Voltage	V <sub>OL1</sub>	GND		GND+0.25	V	V <sub>DD</sub> =5V, IOL=1mA	/INT
	V <sub>OL2</sub>	GND		GND+0.4		V <sub>DD</sub> =3V, IOL=1mA	
	V <sub>OL3</sub>	GND		GND+0.5		V <sub>DD</sub> =5V, IOL=1mA	FOUT
	V <sub>OL4</sub>	GND		GND+0.3		V <sub>DD</sub> =3V, IOL=0.5mA	
Input Leak Current	I <sub>LK</sub>	-0.1		0.1	uA	SDA, SCL, V <sub>IN</sub> = V <sub>DD</sub> or GND	
Output Leak Current	I <sub>OZ</sub>	-0.1		0.1	uA	SDA, V <sub>IN</sub> = V <sub>DD</sub> or GND	



### 5.5 AC Characteristics

**Table6. AC Characteristics**

V<sub>DD</sub>=1.6V ~ 5.5V; Ta=-40°C ~ +85°C

Parameter	Symbol	Value			Unit
		Min.	Typ.	Max.	
SCL clock frequency	f <sub>SCL</sub>			400	kHz
SCL Low Voltage Time	t <sub>LOW</sub>	1.3			us
SCL How Voltage Time	t <sub>HIGH</sub>	0.6			us
Start condition hold time	t <sub>HD, STA</sub>	0.6			us
Start condition setup time	t <sub>SU, STA</sub>	0.6			us
Stop condition setup time	t <sub>SU, STO</sub>	0.6			us
Bus idle time between start condition and stop condition	t <sub>RCV</sub>	1.3			us
Data setup time	t <sub>SU, DAT</sub>	100			ns
Data hold time	t <sub>HD, DAT</sub>	0			ns
SCL, SDA rising time	t <sub>r</sub>			0.4	us
SCL, SDA falling time	t <sub>f</sub>			0.4	us

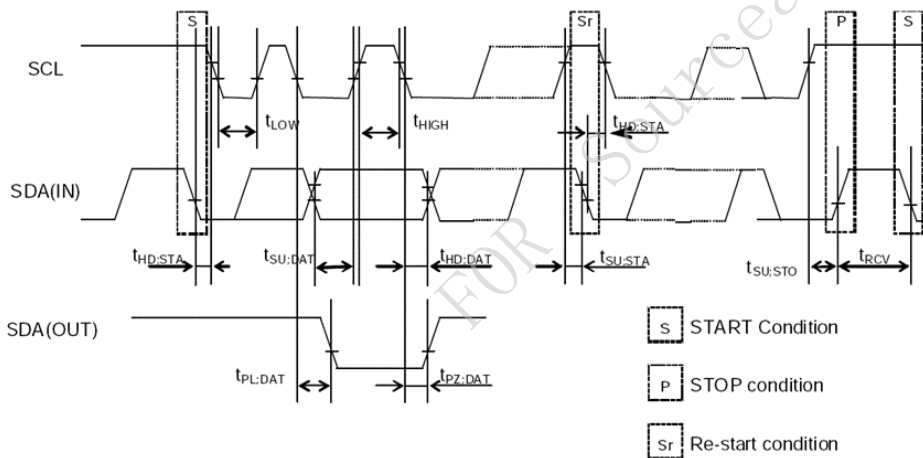


Figure 2. I<sup>2</sup>C bus Timing Chart

Note: When the master device gets access to this slave device through I<sup>2</sup>C, the whole operation duration should be less than 1s, otherwise it will be reset by the I<sup>2</sup>C bus through the internal bus overtime function.





## 6 Registers

### 6.1 Register Lists

Address 0x10~0x1F: Basic Time and Calendar Registers

Address 0x20~0x2F: RAM Register Group

Address 0x30~32: Extended Register Group

**Table1. Basic Time and Calendar Registers**

Address	Function	bit7	bit6	bit5	bit4	bit3	bit2	bit1	bit0	R/W
0x10	SEC	○	BCD code, Second tens place, 0-5			BCD code, Second ones place, 0-9				R/W
0x11	MIN	○	BCD code, Minute tens place, 0-5			BCD code, Minute ones place, 0-9				R/W
0x12	HOUR	○	○	BCD code, Hour tens place, 0-2		BCD code, Hour ones place, 0-9				R/W
0x13	WEEK	○	6	5	4	3	2	1	0	R/W
0x14	DAY	○	○	BCD code, Day tens place, 0-3		BCD code, Day ones place, 0-9				R/W
0x15	MONTH	○	○	○	BCD code, Month tens place, 0-1	BCD code, Month ones place, 0-9				R/W
0x16	YEAR	BCD code, Year tens place, 0-9				BCD code, Year ones place, 0-9				R/W
0x17	RSV	Reserved								R/W
0x18	MIN Alarm	AE	BCD code, Minute tens place, 0-5			BCD code, Minute ones place, 0-9				R/W
0x19	HOUR Alarm	AE	●	BCD code, Hour tens place, 0-2		BCD code, Hour ones place, 0-9				R/W
0x1A	WEEK Alarm	AE	6	5	4	3	2	1	0	R/W
	DAY Alarm		●	BCD code, Day tens place, 0-3		BCD code, Day ones place, 0-9				R/W
0x1B	Timer Counter 0	128	64	32	16	8	4	2	1	R/W
0x1C	Timer Counter 1	32768	16384	8192	4096	2048	1024	512	256	R/W
0x1D	Extension Register	FSEL [1]	FSEL [0]	USEL	TE	WAD A	TSEL [2]	TSEL [1]	TSEL [0]	R/W
0x1E	Flag Register	○	○	UF	TF	AF	Reserved	VLF	○	R/W
0x1F	Control Register	TEST	STOP	UIE	TIE	AIE	TSTP	Reserved	Reserved	R/W
0x20~0x2F	RAM	●	●	●	●	●	●	●	●	R/W
0x30	RSV	Reserved								R/W
0x31	RSV	Reserved								R/W

Note:

1, After power-up reset or in case VLF bit returns “1”, make sure to initialize all registers before using the RTC.



2. The default value of register after power on:

Initial 0: TEST、WADA、USEL、TE、FSEL[1:0]、TSEL[1:0]、UF、TF、AF、UIE、TIE、TSTP

Initial 1: VLF、TSEL[2].

3.The bits marked with “○” can be read out “0” after initializing.

4.The bits marked with “●” are RAM bits which can be used to write or read any data.

5.Only 0 can be written to UF、TF、AF and VLF bits.

6.Make sure “0” to be written for TEST bits which are used for manufacturing testing only.

## 6.2 Details of Registers

### 6.2.1 Clock counter registers

**Table2. Second、Minute and Hour Registers**

Address	Function	bit7	bit6	bit5	bit4	bit3	bit2	bit1	bit0	Default
0x10	SEC	○	BCD code, Second tens place, 0-5			BCD code, Second ones place, 0-9				0x00
0x11	MIN	○	BCD code, Minute tens place, 0-5			BCD code, Minute ones place, 0-9				0x00
0x12	HOUR	○	○	BCD code, Hour tens place, 0-2		0x00				0x00

SEC: BCD format, Value: 0~59

MIN: BCD format, Value: 0~59

HOUR: BCD format, Value: 0~23

**Table3. Week Registers**

Address	Function	bit7	bit6	bit5	bit4	bit3	bit2	bit1	bit0	Default
0x13	WEEK	○	6	5	4	3	2	1	0	0x40

WEEK: Value 01h, 02h, 04h, 08h, 10h, 20h, 40h. Only one bit can be set to 1 each time, all others must be set to 0.

**Table4. WEEK Register Value table**

WEEK	Data	bit7	bit6	bit5	bit4	bit3	bit2	bit1	bit0
Sunday	01h	0	0	0	0	0	0	0	1
Monday	02h	0	0	0	0	0	0	1	0
Tuesday	04h	0	0	0	0	0	1	0	0
Wednesday	08h	0	0	0	0	1	0	0	0
Thursday	10h	0	0	0	1	0	0	0	0
Friday	20h	0	0	1	0	0	0	0	0
Saturday	40h	0	1	0	0	0	0	0	0

**Table5. Day Register**

Address	Function	bit7	bit6	bit5	bit4	bit3	bit2	bit1	bit0	Default
0x14	DAY	○	○	BCD code, Day tens place, 0-3		BCD code, Day ones place, 0-9				0x01



DAY: BCD format, the value range will be adjusted automatically according to the month setting and if a leap year or not.

**Table6. DAY Register Value Range**

Month	Day Value Range
1, 3, 5, 7, 8, 10, 12	1~31
4, 6, 9, 11	1~30
February in normal year	1~28
February in leap year	1~29

**Table7. Month and Year Register**

Address	Function	bit7	bit6	bit5	bit4	bit3	bit2	bit1	bit0	Default
0x15	MONTH	○	○	○	BCD code, Month tens place, 0-1	BCD code, Month ones place, 0-9				0x01
0x16	YEAR	BCD code, Year tens place, 0-9				BCD code, Year ones place, 0-9				0x00

MONTH: BCD format, Value1~12

YEAR: BCD format, Value0~99(2000~2099)

Example: 2020/01/01 Wednesday 21:18:36

**Table8. Example of time setting**

Address	Function	bit7	bit6	bit5	bit4	bit3	bit2	bit1	bit0
0x10	SEC	○	0	1	1	0	1	1	0
0x11	MIN	○	0	0	1	1	0	0	0
0x12	HOUR	○	○	1	0	0	0	0	1
0x13	WEEK	○	0	0	0	1	0	0	0
0x14	DAY	○	○	0	0	0	0	0	1
0x15	MONTH	○	○	○	0	0	0	0	1
0x16	YEAR	0	0	1	0	0	0	0	0

## 6.2.2 Alarm registers

**Table9. Alarm Register**

Address	Function	bit7	bit6	bit5	bit4	bit3	bit2	bit1	bit0	Default
0x18	MIN Alarm	AE	BCD code, Minute tens place, 0-5			BCD code, Minute ones place, 0-9				0x00
0x19	HOUR Alarm	AE	●	BCD code, Hour tens place, 0-2		BCD code, Hour ones place, 0-9				0x00
0x1A	WEEK Alarm	AE	6	5	4	3	2	1	0	0x00
	DAY Alarm		●	BCD code, Day tens place, 0-3		BCD code, Day ones place, 0-9				

Alarm interruption can be generated with the setting of these registers and the cooperation of AIE、AF and WADA.

WEEK Alarm/Day Alarm: WADA control bit 0x0A can choose week alarm or day alarm, details refer to 0x1D register bit3

AE (Alarm Enable): Alarm Enable bit, 0-Enable; 1-Disable.

AF function refer to 0x1E register bit3.

AIE function refer to 0x1F register bit3.



### 6.2.3 Timer registers

**Table10. Timer Register**

Address	Function	bit7	bit6	bit5	bit4	bit3	bit2	bit1	bit0	Default
0x1B	Timer Counter 0	128	64	32	16	8	4	2	1	0x00
0x1C	Timer Counter 1	32768	16384	8192	4096	2048	1024	512	256	0x00

Alarm interruption can be generated with the setting of these registers and the cooperation of TE、TF、TIE and TSEL[1:0].

TE function refer to 0x1D register bit4.

TF function refer to 0x1E register bit4.

TIE function refer to 0x1F register bit4.

TSEL[1:0] function refer to 0x1D register bit2, bit1 and bit0.

### 6.2.4 Extension registers

**Table11. Extension Register**

Address	Function	bit7	bit6	bit5	bit4	bit3	bit2	bit1	bit0	Default
0x1D	Extension Register	FSEL [1]	FSEL [0]	USEL	TE	WADA	TSEL [2]	TSEL [1]	TSEL [0]	0x04

Used for the specified functions, including Alarm、Time Update Interruption、Setting and etc.

WADA (Week Alarm/Day Alarm): 0-WEEK Alarm, 1-DAY Alarm.

USEL (Update Interrupt Select): 0-Interrupt per Second (Default), 1-Interrupt per Minute.

TE (Timer Enable): 0- Disable Timer Interrupt function, 1-Enable Timer Interrupt function.

FSEL[1], FSEL[0] to confirm the output frequency. Shown as below table:

**Table12. FSEL Table**

FSEL [1]	FSEL [0]	FOUT Frequency
0	0	Disable
0	1	1Hz output
1	0	1024Hz output
1	1	32768Hz Output

TSEL[2], TSEL[1], TSEL[0]: Timer/Counter Clock configuration bits, just as below table:

**Table13. TSEL Table**

TSEL [2]	TSEL [1]	TSEL [0]	Timer/Counter Clock	Interruption duration
0	0	0	4096Hz (244.14us)	122uS
0	0	1	64Hz (15.625ms)	7.813mS
0	1	0	1Hz (S)	7.813mS
0	1	1	1/60Hz (Min)	7.813mS
1	0	0	1/3600Hz (Hour)	7.813mS



## 6.2.5 Flag Register

**Table14. Flag Register**

Address	Function	bit7	bit6	bit5	bit4	bit3	bit2	bit1	bit0	Default
0x1E	Flag Register	○	○	UF	TF	AF	Reserved	VLF	○	0x26

UF (Update Flag): Time Update Flag, when time update interruption generates, this bit will change from “0”to “1”,and keep this value until written to “0” by software;

TF (Timer Flag): Timer Flag, when timer interruption generates, this bit will change from “0”to “1”,and keep this value until written to “0” by software;

AF (Alarm Flag): Alarm Flag, when Alarm Interruption generation, this bit will change from “0”to “1”,and keep this value until written to “0” by software;

VLF (Voltage Low Flag): Voltage Low Flag, when voltage is lower than 1.3V ,this bit will be set to”1”, and keep this value until written to “0” by software.

## 6.2.6 Control Register

**Table15. Control Register**

Address	Function	bit7	bit6	bit5	bit4	bit3	bit2	bit1	bit0	Default
0x1F	Control Register	TEST	STOP	UIE	TIE	AIE	TSTP	Reserved	Reserved	0x00

TEST: Test bit for manufacture, must always be“0” when used and cannot be changed by user;

UIE (Update Interrupt Enable): When UF changes from“0”to“1”, this bit can control if the interruption generates or not. 0-Did not generate (/INT maintain high resistance), 1-generate the interruption (/INT changes from high resistance to low voltage)。

TIE (Timer Interrupt Enable): When TF changes from“0”to“1”, this bit can control if the interruption generates or not. 0-Did not generate (/INT maintain high resistance), 1-generate the interruption (/INT changes from high resistance to low voltage)。

AIE (Alarm Interrupt Enable): When AF changes from“0”to“1”, this bit can control if the interruption generates or not. 0-Did not generate (/INT maintain high resistance), 1-generate the interruption (/INT changes from high resistance to low voltage)。

TSTP (Timer Stop): This bit is used to stop the count-down timer, always be used with STOP at the same time.

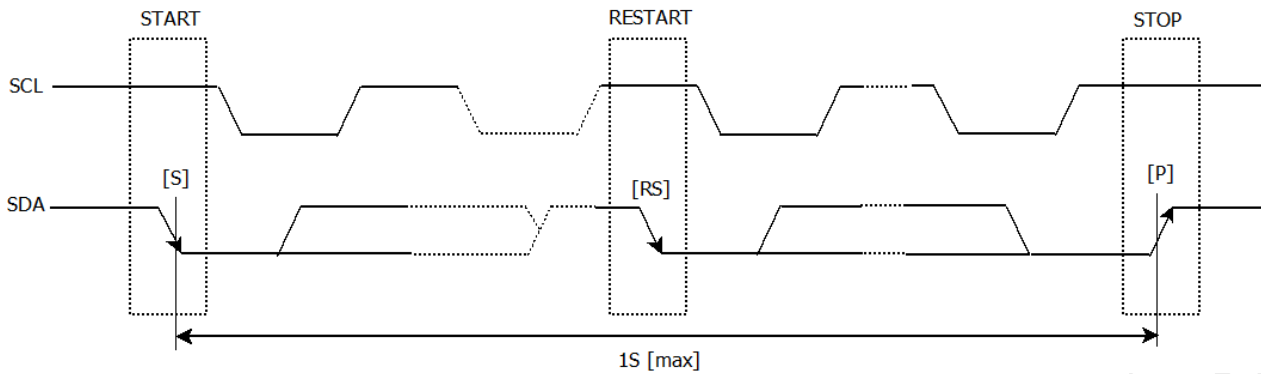
STOP: Used to stop the timer operation. When “STOP=1”, all timer update and calendar stop working. Fixed period timer stops the interruption partly; the output frequency can be 32768Hz, but 1Hz and 1024hz are disable.

**Table16. STOP & TSTP Setting Table**

STOP	TSTP	Description
0	0	When TSTP is written to“0”, Start timer
	1	When TSTP is written to“1”, Stop timer
1	X	At this moment, when frequency output is set to 64Hz, 1Hz, 1/60Hz or 1/3600Hz, the timer stop working。



## 7 I<sup>2</sup>C Bus Interface



I<sup>2</sup>C bus supports bi-directional communications through a serial clock line SCL and a serial data line SDA. I<sup>2</sup>C bus device can be defined as “Master” and “Slave”. INS5101A (A) can only be used as Slave.

### 7.1 Cautions

I<sup>2</sup>C bus includes START, RESTART, STOP conditions, the duration between START and STOP must be less than 1 second just in case the bus to be set to standby mode automatically. If the time is more than 1S, INS5101A will reset I<sup>2</sup>C Interface.

INS5101A I<sup>2</sup>C bus interface supports single byte read/write operations as well as multiple bytes incremental access. After 0xFF address, the next one will be 0x00.

### 7.2 Slave Address

Table17. I<sup>2</sup>C Bus Slave Address

Transfer data	Slave address							R/W
	bit7	bit6	bit5	bit4	bit3	bit2	bit1	bit0
65h (Read)	0	1	1	0	0	1	0	1 (Read)
64h (Write)	0	1	1	0	0	1	0	0 (Write)

INS5101A I<sup>2</sup>C bus Slave Address is [0110 010\*].

### 7.3 I<sup>2</sup>C bus protocol

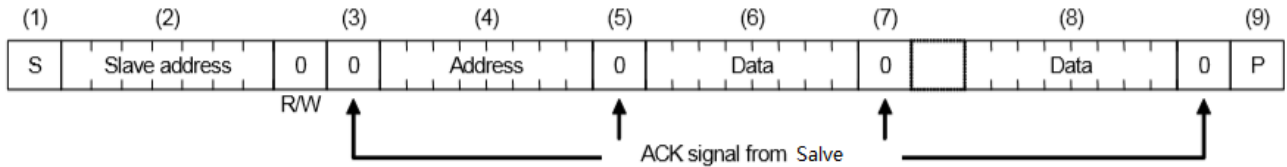
It is assumed CPU is master and INS5101A is slave in this section.

#### 7.3.1 Write process

I<sup>2</sup>C bus includes an address auto-increment function, once the initial address has been specified, the INS5101A increments (+1) the address automatically after each data is sent, then to write next data.



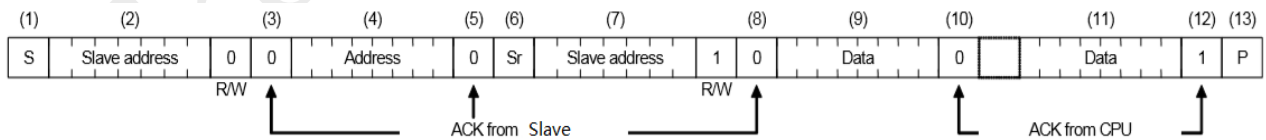
- (1) CPU sends start condition[S]
- (2) CPU sends INS5101A's slave address with R/W bit to set to write mode
- (3) CPU verifies ACK signal from INS5101A
- (4) CPU sends write address to INS5101A
- (5) CPU verifies ACK signal from INS5101A
- (6) CPU sends write data to the address specified at step (4)
- (7) CPU verifies ACK signal from INS5101A
- (8) Repeat (6) (7) if multiple bytes need to be written, address will be incremented automatically
- (9) CPU ends stop condition[P]



### 7.3.2 Read process

Writing the address to be read with write mode firstly, then reading the data with read mode.

- (1) CPU sends start condition[S]
- (2) CPU sends INS5101A's slave address with R/W bit to set to write mode
- (3) CPU verifies ACK signal from INS5101A
- (4) CPU sends address for reading from INS5101A
- (5) CPU verifies ACK signal from INS5101A
- (6) CPU sends RESTART condition [Sr]
- (7) CPU sends INS5101A's slave address with R/W bit to set to read mode
- (8) CPU verifies ACK signal from INS5101A
- (9) CPU reads data from the specified address in step (4)
- (10) CPU sends ACK signal for "0"
- (11) Repeat (9) (10) if multiple bytes need to be read, address will be incremented automatically
- (12) CPU sends ACK signal for "1"
- (13) CPU sends stop condition[P]





# 8 Reflow Soldering Curve

Standard: IPC/JEDEC J-STD-020

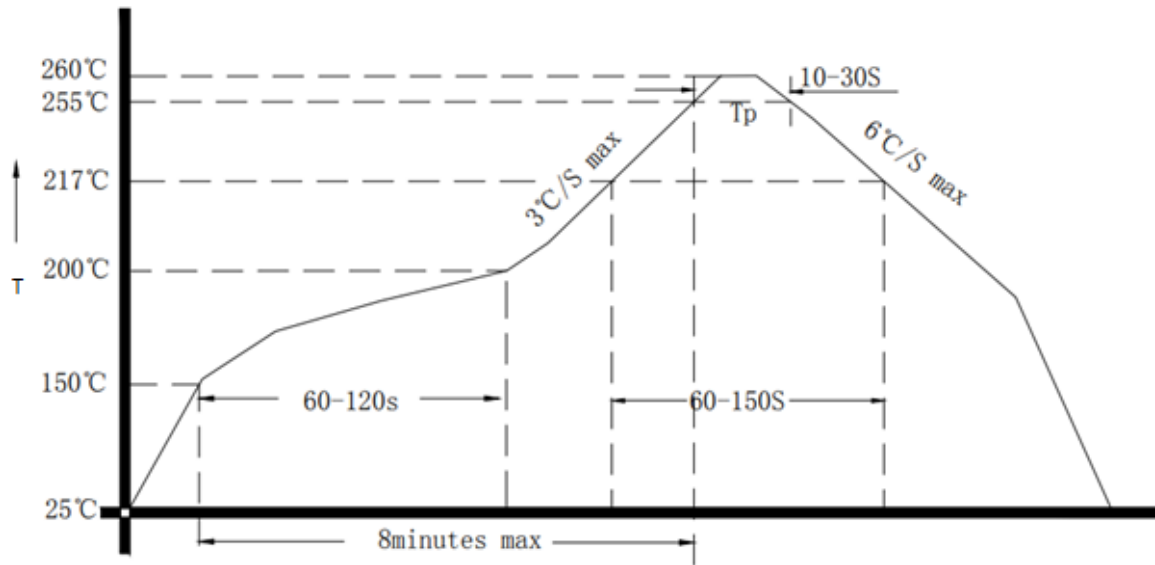


Figure 3. Reflow Soldering Curve

Note: It is suggested to solder IC under the condition shown in the curve above. Must pay attention to the temperature and time when manual soldering,





# 9 Dimensions and Marking Information

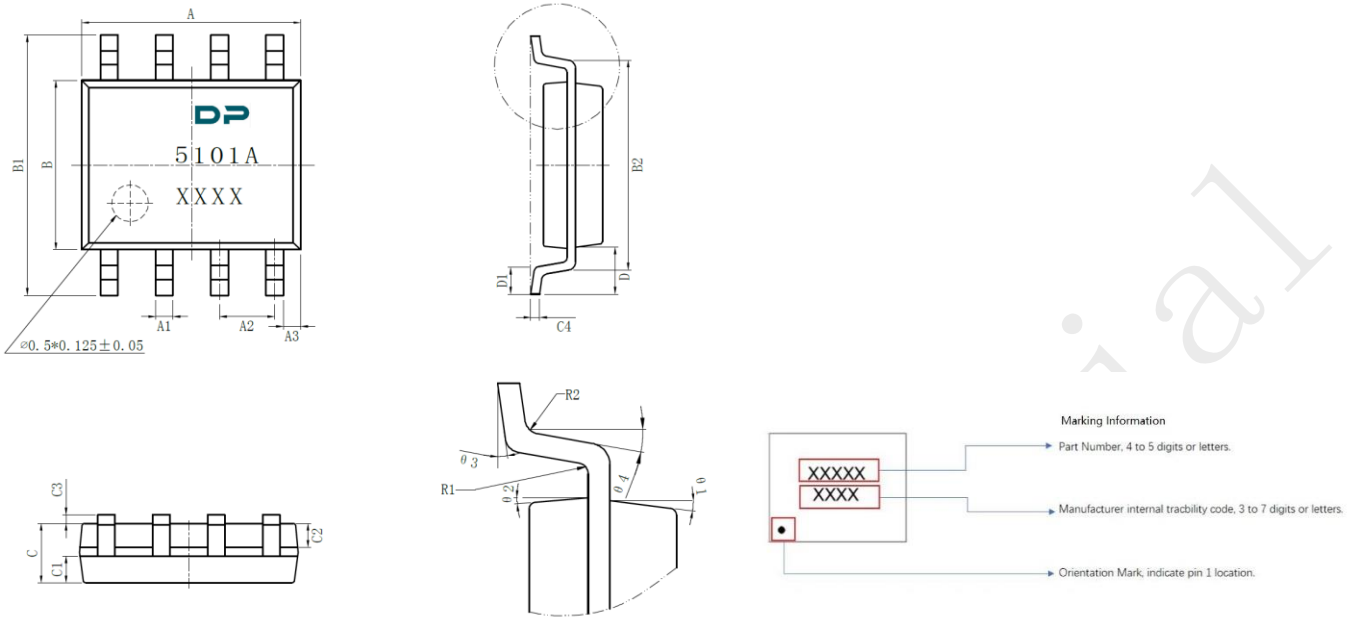


Figure 4. Dimension and Marking information

Dimension	Min.	Typ.	Max.
<b>A</b>	4.8	4.9	5.0
<b>A1</b>	0.356	--	0.456
<b>A2</b>	--	1.27	--
<b>A3</b>	--	0.345	--
<b>B</b>	3.8	3.9	4.0
<b>B1</b>	5.8	6.0	6.2
<b>B2</b>	--	5.00	--
<b>C</b>	1.3	--	1.6
<b>C1</b>	0.55	--	0.65
<b>C2</b>	0.55	--	0.65

(Unit: mm)

Dimension	Min.	Typ.	Max.
<b>C3</b>	0.05	--	0.20
<b>C4</b>	0.203	--	0.233
<b>D</b>	--	1.05	--
<b>D1</b>	0.4	--	0.8
<b>R1</b>	--	0.2	--
<b>R2</b>	--	0.2	--
<b>θ1</b>	17°		
<b>θ2</b>	13°		
<b>θ3</b>	0°~8°		
<b>θ4</b>	4°~12°		

(Unit: mm)



# 10 Package Information

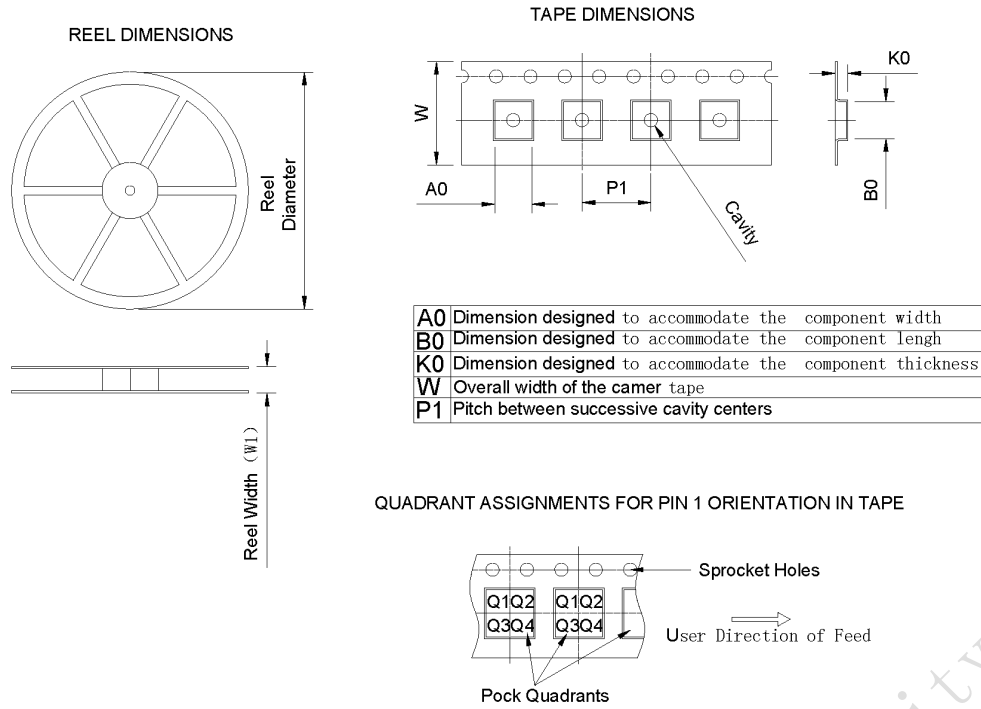


Figure 5. Package information

Device	Package Type	Pins	SPQ	Reel Diameter (mm)	Reel Width W1(mm)	A0 (mm)	B0 (mm)	K0 (mm)	P1 (mm)	W (mm)	PIN1 Quadrant
INS5101A/ INS5101AA	SOP	8	3000	330±1	12.4±0.2	6.40	5.30	2.10	8.00± 0.1	12.00 ±0.1	Q1