

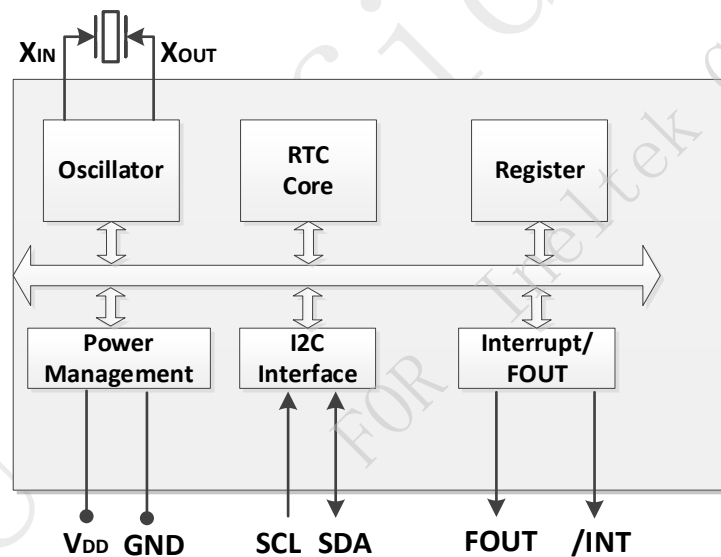


INS5101A —Low Power Consumption I²C RTC

Key Features

- Low Current Consumption: 0.5uA (Typ.)
- Timer, Alarm and Interrupt
- Frequency Output
- Communication Interface: I²C bus
- Build-in 128bit RAM
- Integrated Oscillator Capacitors
- Power Supply Voltage: 1.1V~5.5V
- Operation Temperature Range: -40°C ~ +85°C
- Leap Years Autocorrection
- Package: 4.9mm × 6.0mm × 1.6mm(SOP8)

Block Diagram



Overview

INS5101A is an I²C bus interface real-time clock with low power consumption. It supports calendar (year, month, day, hour, minute, second), timer and alarm function. The SOP8 package makes it suitable to be used in portable electronic devices.



Revision History

Version	Change Contents	Prepared by	Revised Date
V1.0	Released Version		2021.11.30



Index

1	OVERVIEW.....	5
2	BLOCK DIAGRAM.....	5
3	FEATURES	5
4	PIN DEFINITION	6
5	ELECTRICAL CHARACTERISTICS	7
5.1	ABSOLUTE MAXIMUM RATINGS	7
5.2	RECOMMENDED OPERATING CONDITIONS.....	7
5.3	OSCILLATOR CHARACTERISTICS	7
5.4	DC CHARACTERISTICS	8
5.5	AC CHARACTERISTICS.....	9
6	REGISTERS	10
6.1	REGISTER LISTS	10
6.2	DETAILS OF REGISTERS.....	11
6.2.1	<i>Clock counter registers.....</i>	<i>11</i>
6.2.2	<i>Alarm registers</i>	<i>12</i>
6.2.3	<i>Timer registers</i>	<i>13</i>
6.2.4	<i>Extension registers.....</i>	<i>13</i>
6.2.5	<i>Flag Register</i>	<i>14</i>
6.2.6	<i>Control Register</i>	<i>14</i>
6.2.7	<i>Interrupt Register.....</i>	<i>15</i>
7	I²C BUS INTERFACE	16
7.1	CAUTIONS.....	16
7.2	SLAVE ADDRESS	16
7.3	I ² C BUS PROTOCOL	16
7.3.1	<i>Write process</i>	<i>16</i>
7.3.2	<i>Read process.....</i>	<i>17</i>
8	REFLOW SOLDERING CURVE	18



9	DIMENSIONS	18
10	PACKAGE INFORMATION	19

DAPU Confidential
 FOR Inteltek GmbH



1 Overview

INS5101A is an I²C bus interface real-time clock with low power consumption. It embeds a 32.768kHz XO. It supports calendar (year, month, day, hour, minute, second), timer and alarm function. The SOP8 package makes it suitable to be used in portable electronic devices.

2 Block Diagram

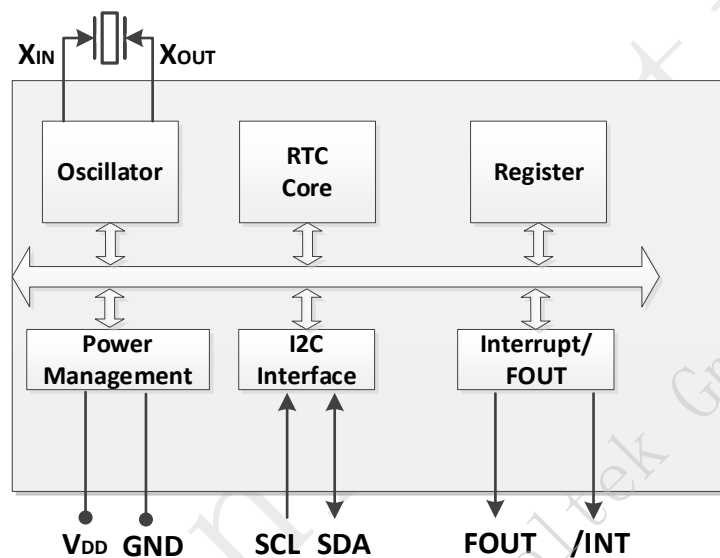


Figure 1. Block Diagram

3 Features

- Low Current Consumption: 0.5 uA (Typ.)
- Communication Interface: I²C bus
- Alarm, Timer and Interruption
- Frequency Out
- Build-in 128bit RAM
- Integrated Oscillator Capacitors
- Power Supply Voltage: 1.1V ~ 5.5V
- Leap Years Autocorrection
- Operation Temperature Range: -40°C ~ +85°C
- Package: 4.9 * 6.0 * 1.6mm (SOP8)



4 Pin Definition

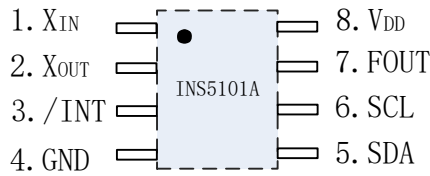


Table1. Pin Definition

Pin Number	Pin Name	I/O	Description
1	X _{IN}		Oscillator Input
2	X _{OUT}		Oscillator Output
3	/INT	Out	This pin can be configured as output of Alarm, Timer, Time-update Interrupt or Frequency, effective when Low Voltage (Open-Drain)
4	GND	-	Ground
5	SDA	In/Out	I2C data signal
6	SCL	In	I2C clock signal
7	FOUT	Out	This pin can be configured as the output of timer or frequency, effective when Low Voltage (CMOS)
8	V _{DD}	-	Power in



5 Electrical Characteristics

5.1 Absolute Maximum Ratings

Table2. Absolute Maximum Ratings

Parameter	Symbol	Value			Unit	Notes
		Min.	Typ.	Max.		
Power Supply Voltage	V _{DD}	-0.3		6.5	V	
I/O Input Voltage	V _{IN}	GND-0.3		6.5	V	SCL, SDA Input
Clock Output Voltage1	V _{OUT1}	GND-0.3		V _{DD} +0.3	V	FOUT
Clock Output Voltage2	V _{OUT2}	GND-0.3		6.5	V	SDA, /INT Output
Storage Temperature	T _{STG}	-55		125	°C	

5.2 Recommended Operating Conditions

Table3. Recommended Operating Conditions

Parameter	Symbol	Value			Unit	Notes
		Min.	Typ.	Max.		
Power Supply Voltage (normal mode)	V _{DD}	1.6	3.0	5.5	V	*
Power Supply Voltage (Time keeping)	V _{DD}	1.1	3.0	5.5	V	*
Low Voltage Detection	V _{LOW}			1.3	V	
Input Voltage on Pin	V _{PUP}			5.5	V	SDA , /INT
Operation Temperature	T _{OPR}	-40	25	85	°C	

Note 1: V_{DD} need to be supplied with more than 1.6V at least for the oscillator to work until stabilization.

5.3 Oscillator Characteristics

Table4. Oscillator Characteristics

Parameter	Symbol	Value			Unit	Notes
		Min.	Typ.	Max.		
Oscillator						
Integrated Capacitance	C		12.5		pF	
External Crystal(32.768KHz)						
Series Resistance	R _S			100	kΩ	
Load Capacitance	C _L		12.5		pF	
FOUT Duty cycle	t _w /t	40	50	60	%	FOUT



5.4 DC Characteristics

Table5. DC Characteristics

Parameter	Symbol	Value			Unit	Notes	
		Min.	Typ.	Max.			
Average Current1	I _{DD1}		0.52		uA	V _{DD} =5.0V	Input pins are "L" f _{SCL} = 0 Hz, /INT,2 = OFF, TSEL2="1"
Average Current2	I _{DD2}		0.5			V _{DD} =3.0V	
Average Current3	I _{DD3}		0.6			V _{DD} =5.0V	f _{SCL} = 0 Hz, FOUT = OFF, /INT: 32.768 kHz ON
Average Current4	I _{DD4}		0.57			V _{DD} =3.0V	
Average Current5	I _{DD5}		0.6			V _{DD} =5.0V	f _{SCL} = 0 Hz, /INT = OFF, FOUT : 1024 Hz ON ,CL = 15 pF, @25°C
Average Current6	I _{DD6}		0.57			V _{DD} =3.0V	
Input High Voltage	V _{IH}	0.8*V _{DD}		5.5	V	SCL, SDA	
Input Low Voltage	V _{IL}	GND- 0.3		0.2*V _{DD}	V		
Output High Voltage	V _{OH1}	4.5		5.0	V	V _{DD} =5V, IOH=-1mA	FOUT
	V _{OH2}	2.7		3.0		V _{DD} =3V, IOH=- 0.5mA	
Output High Voltage	V _{OL1}	GND		GND+0.25	V	V _{DD} =5V, IOL=1mA	/INT
	V _{OL2}	GND		GND+0.4		V _{DD} =3V, IOL=1mA	
	V _{OL3}	GND		GND+0.5		V _{DD} =5V, IOL=1mA	FOUT
	V _{OL4}	GND		GND+0.3		V _{DD} =3V, IOL=0.5mA	
Input Leak Current	I _{LK}	-0.1		0.1	uA	SDA, SCL, V _{IN} = V _{DD} or GND	
Output Leak Current	I _{OZ}	-0.1		0.1	uA	SDA, V _{IN} = V _{DD} or GND	



5.5 AC Characteristics

Table6. AC Characteristics

V_{DD}=1.6V ~ 5.5V; Ta=-40°C ~ +85°C

Parameter	Symbol	Value			Unit
		Min.	Typ.	Max.	
SCL clock frequency	f _{SCL}			400	kHz
SCL Low Voltage Time	t _{LOW}	1.3			us
SCL How Voltage Time	t _{HIGH}	0.6			us
Start condition hold time	t _{HD: STA}	0.6			us
Start condition setup time	t _{SU: STA}	0.6			us
Stop condition setup time	t _{SU: STO}	0.6			us
Bus idle time between start condition and stop condition	t _{RCV}	1.3			us
Data setup time	t _{SU: DAT}	100			ns
Data hold time	t _{HD: DAT}	0			ns
SCL, SDA rising time	t _r			0.4	us
SCL, SDA falling time	t _f			0.4	us

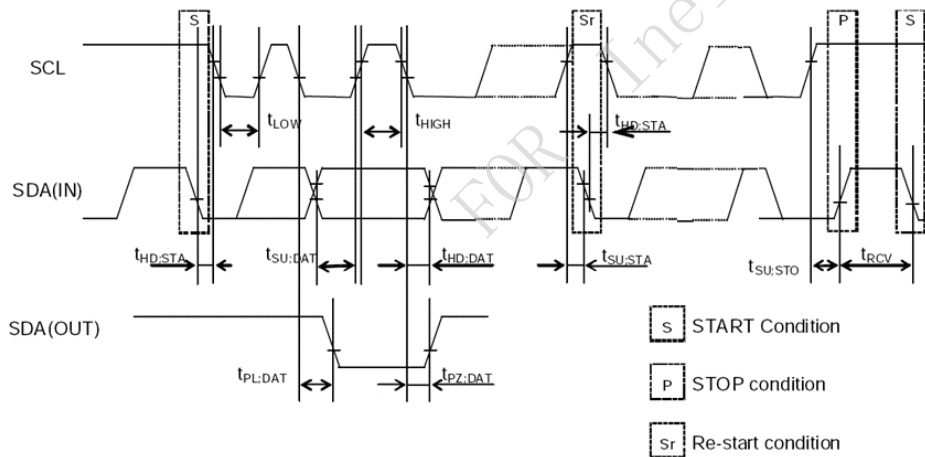


Figure 2. I²C bus Timing Chart

Note: When the master device gets access to this slave device through I2C, the whole operation duration should be less than 1s, otherwise it will be reset by the I2C bus through the internal bus overtime function.



6 Registers

6.1 Register Lists

Address 0x10~0x16: Basic Time and Calendar Registers

Address 0x18~0x1F: Control, Flag, and extended Registers

Address 0x20~0x2F: RAM Register

Address 0x32: Interrupt Register

Table7. Basic Time and Calendar Registers

Address	Function	bit7	bit6	bit5	bit4	bit3	bit2	bit1	bit0	R/W
0x10	SEC	○	BCD code, Second tens place, 0-5			BCD code, Second ones place, 0-9				R/W
0x11	MIN	○	BCD code, Minute tens place, 0-5			BCD code, Minute ones place, 0-9				R/W
0x12	HOUR	○	○	BCD code, Hour tens place, 0-2		BCD code, Hour ones place, 0-9				R/W
0x13	WEEK	○	6	5	4	3	2	1	0	R/W
0x14	DAY	○	○	BCD code, Day tens place, 0-3		BCD code, Day ones place, 0-9				R/W
0x15	MONTH	○	○	○	BCD code, Month tens place, 0-1	BCD code, Month ones place, 0-9				R/W
0x16	YEAR	BCD code, Year tens place, 0-9				BCD code, Year ones place, 0-9				R/W
0x17	RSV	Reserved								R/W
0x18	MIN Alarm	AE	BCD code, Minute tens place, 0-5			BCD code, Minute ones place, 0-9				R/W
0x19	HOUR Alarm	AE	●	BCD code, Hour tens place, 0-2		BCD code, Hour ones place, 0-9				R/W
0x1A	WEEK Alarm	AE	6	5	4	3	2	1	0	R/W
	DAY Alarm		●	BCD code, Day tens place, 0-3		BCD code, Day ones place, 0-9				R/W
0x1B	Timer Counter 0	128	64	32	16	8	4	2	1	R/W
0x1C	Timer Counter 1	32768	16384	8192	4096	2048	1024	512	256	R/W
0x1D	Extension Register	FSEL [1]	FSEL [0]	USEL	TE	WAD A	TSEL [2]	TSEL [1]	TSEL [0]	R/W
0x1E	Flag Register	○	○	UF	TF	AF	Reserved	VLF	○	R/W
0x1F	Control Register	TEST	STOP	UIE	TIE	AIE	TSTP	Reserved	Reserved	R/W
0x20~ 0x2F	RAM	●	●	●	●	●	●	●	●	R/W
0x30	RSV	Reserved								R/W



Address	Function	bit7	bit6	bit5	bit4	bit3	bit2	bit1	bit0	R/W
0x31	RSV	Reserved								R/W
0x32	INT Control	○	Reserved	Reserved	Reserved	○	TMPIN	FOPIN [1]	FOPIN [0]	R/W

Note:

- After power-up reset or in case VLF bit returns “1”, make sure to initialize all registers before using the RTC.
- The default value of register after power on:
 - Initial 0: TEST、WADA、USEL、TE、FSEL[1:0]、TSEL[1:0]、UF、TF、AF、UIE、TIE、TSTP、TMPIN、FOPIN[1:0].
 - Initial 1: VLF、TSEL[2].
- The bits marked with “○” can be read out “0” after initializing.
- The bits marked with “●” are RAM bits which can be used to write or read any data.
- Only 0 can be written to UF、TF、AF and VLF bits.
- Make sure “0” to be written for TEST bits which are used for manufacturing testing only.

6.2 Details of Registers

6.2.1 Clock counter registers

Table8. Second、Minute and Hour Registers

Address	Function	bit7	bit6	bit5	bit4	bit3	bit2	bit1	bit0	Default
0x10	SEC	○	BCD code, Second tens place, 0-5			BCD code, Second ones place, 0-9				0x00
0x11	MIN	○	BCD code, Minute tens place, 0-5			BCD code, Minute ones place, 0-9				0x00
0x12	HOUR	○	○	BCD code, Hour tens place, 0-2		0x00				0x00

SEC: BCD format, Value: 0~59

MIN: BCD format, Value: 0~59

HOUR: BCD format, Value: 0~23

Table9. Week Registers

Address	Function	bit7	bit6	bit5	bit4	bit3	bit2	bit1	bit0	Default
0x13	WEEK	○	6	5	4	3	2	1	0	0x40

WEEK: Value 01h, 02h, 04h, 08h, 10h, 20h, 40h. Only one bit can be set to 1 each time, all others must be set to 0.

Table10. WEEK Register Value table

WEEK	Data	bit7	bit6	bit5	bit4	bit3	bit2	bit1	bit0
Sunday	01h	0	0	0	0	0	0	0	1
Monday	02h	0	0	0	0	0	0	1	0
Tuesday	04h	0	0	0	0	0	1	0	0
Wednesday	08h	0	0	0	0	1	0	0	0



WEEK	Data	bit7	bit6	bit5	bit4	bit3	bit2	bit1	bit0
Thursday	10h	0	0	0	1	0	0	0	0
Friday	20h	0	0	1	0	0	0	0	0
Saturday	40h	0	1	0	0	0	0	0	0

Table11. Day Register

Address	Function	bit7	bit6	bit5	bit4	bit3	bit2	bit1	bit0	Default
0x14	DAY	○	○	BCD code, Day tens place, 0-3		BCD code, Day ones place, 0-9				0x01

DAY: BCD format, the value range will be adjusted automatically according to the month setting and if a leap year or not.

Table12. DAY Register Value Range

Month	Day Value Range
1, 3, 5, 7, 8, 10, 12	1~31
4, 6, 9, 11	1~30
February in normal year	1~28
February in leap year	1~29

Table13. Month and Year Register

Address	Function	bit7	bit6	bit5	bit4	bit3	bit2	bit1	bit0	Default
0x15	MONTH	○	○	○	BCD code, Month tens place, 0-1	BCD code, Month ones place, 0-9				0x01
0x16	YEAR	BCD code, Year tens place, 0-9				BCD code, Year ones place, 0-9				0x00

MONTH: BCD format, Value1~12

YEAR: BCD format, Value0~99(2000~2099)

Example: 2020/01/01 Wednesday 21:18:36

Table14. Example of time setting

Address	Function	bit7	bit6	bit5	bit4	bit3	bit2	bit1	bit0
0x10	SEC	○	0	1	1	0	1	1	0
0x11	MIN	○	0	0	1	1	0	0	0
0x12	HOUR	○	○	1	0	0	0	0	1
0x13	WEEK	○	0	0	0	1	0	0	0
0x14	DAY	○	○	0	0	0	0	0	1
0x15	MONTH	○	○	○	0	0	0	0	1
0x16	YEAR	0	0	1	0	0	0	0	0

6.2.2 Alarm registers

Table15. Alarm Register



Address	Function	bit7	bit6	bit5	bit4	bit3	bit2	bit1	bit0	Default
0x18	MIN Alarm	AE	BCD code, Minute tens place, 0-5			BCD code, Minute ones place, 0-9				0x00
0x19	HOUR Alarm	AE	•	BCD code, Hour tens place, 0-2		BCD code, Hour ones place, 0-9				0x00
0x1A	WEEK Alarm	AE	6	5	4	3	2	1	0	0x00
	DAY Alarm		•	BCD code, Day tens place, 0-3		BCD code, Day ones place, 0-9				

Alarm interruption can be generated with the setting of these registers and the cooperation of AIE、AF and WADA.

WEEK Alarm/Day Alarm: WADA control bit 0x0A can choose week alarm or day alarm, details refer to 0x1D register bit3

AE (Alarm Enable): Alarm Enable bit, 0-Enable; 1-Disable.

AF function refer to 0x1E register bit3.

AIE function refer to 0x1F register bit3.

6.2.3 Timer registers

Table16. Timer Register

Address	Function	bit7	bit6	bit5	bit4	bit3	bit2	bit1	bit0	Default
0x1B	Timer Counter 0	128	64	32	16	8	4	2	1	0x00
0x1C	Timer Counter 1	32768	16384	8192	4096	2048	1024	512	256	0x00

Alarm interruption can be generated with the setting of these registers and the cooperation of TE、TF、TIE and TSEL[1:0].

TE function refer to 0x1D register bit4.

TF function refer to 0x1E register bit4.

TIE function refer to 0x1F register bit4.

TSEL[1:0] function refer to 0x1D register bit2, bit1 and bit0.

6.2.4 Extension registers

Table17. Extension Register

Address	Function	bit7	bit6	bit5	bit4	bit3	bit2	bit1	bit0	Default
0x1D	Extension Register	FSEL [1]	FSEL [0]	USEL	TE	WADA	TSEL [2]	TSEL [1]	TSEL [0]	0x04

Used for the specified functions, including Alarm、Time Update Interruption、Setting and etc.

WADA (Week Alarm/Day Alarm): 0-WEEK Alarm, 1-DAY Alarm.

USEL (Update Interrupt Select): 0-Interrupt per Second (Default), 1-Interrupt per Minute.

TE (Timer Enable): 0- Disable Timer Interrupt function, 1-Enable Timer Interrupt function.

FSEL[1], FSEL[0] and FOPIN[1],FOPIN[0] of register 0x32 work coordinately, to confirm the output pin and output frequency. Shown as below table:

**Table18. FSEL&FOPIN Table**

FOPIN[1]	FOPIN[0]	Output pin	FSEL[1]	FSEL[0]	FOUT Frequency
0	0	FOUT (CMOS)	0	0	Disable
			0	1	1Hz output
			1	0	1024Hz output
			1	1	Reserved
0	1	/INT (Open-Drain)	0	0	Disable
			0	1	1Hz output
			1	0	1024Hz output
			1	1	32768Hz Output

TSEL[2], TSEL[1], TSEL[0]: Timer/Counter Clock configuration bits, just as below table:

Table19. TSEL Table

TSEL[2]	TSEL[1]	TSEL[0]	Timer/Counter Clock	Interruption duration
0	0	0	4096Hz (244.14us)	122uS
0	0	1	64Hz (15.625ms)	7.813mS
0	1	0	1Hz (S)	7.813mS
0	1	1	1/60Hz (Min)	7.813mS
1	0	0	1/3600Hz (Hour)	7.813mS

6.2.5 Flag Register

Table20. Flag Register

Address	Function	bit7	bit6	bit5	bit4	bit3	bit2	bit1	bit0	Default
0x1E	Flag Register	○	○	UF	TF	AF	Reserved	VLF	○	0x26

UF (Update Flag): Time Update Flag, when time update interruption generates, this bit will change from “0”to “1”,and keep this value until written to “0” by software;

TF (Timer Flag): Timer Flag, when timer interruption generates, this bit will change from “0”to “1”,and keep this value until written to “0” by software;

AF (Alarm Flag): Alarm Flag, when Alarm Interruption generation, this bit will change from “0”to “1”,and keep this value until written to “0” by software;

VLF (Voltage Low Flag): Voltage Low Flag, when voltage is lower than 1.3V ,this bit will be set to”1”, and keep this value until written to “0” by software.

6.2.6 Control Register

Table21. Control Register

Address	Function	bit7	bit6	bit5	bit4	bit3	bit2	bit1	bit0	Default
0x1F	Control Register	TEST	STOP	UIE	TIE	AIE	TSTP	Reserved	Reserved	0x00

TEST: Test bit for manufacture, must always be“0” when used and cannot be changed by user;



UIE (Update Interrupt Enable): When UF changes from“0”to“1”, this bit can control if the interruption generates or not. 0-Did not generate (/INT maintain high resistance), 1-generate the interruption (/INT changes from high resistance to low voltage).

TIE (Timer Interrupt Enable): When TF changes from“0”to“1”, this bit can control if the interruption generates or not. 0-Did not generate (/INT maintain high resistance), 1-generate the interruption (/INT changes from high resistance to low voltage).

AIE (Alarm Interrupt Enable): When AF changes from“0”to“1”, this bit can control if the interruption generates or not. 0-Did not generate (/INT maintain high resistance), 1-generate the interruption (/INT changes from high resistance to low voltage).

TSTP (Timer Stop):This bit is used to stop the count-down timer, always be used with STOP at the same time.

STOP: Used to stop the timer operation. when“STOP=1”, all timer update and calendar stop working. Fixed period timer stops the interruption partly; the output frequency can be 32768Hz, but 1Hz and 1024hz are disable .

Table22. STOP & TSTP Setting Table

STOP	TSTP	Description
0	0	When TSTP is written to“0”, Start timer
	1	When TSTP is written to“1”, Stop timer
1	X	At this moment, when frequency output is set to 64Hz, 1Hz, 1/60Hz or 1/3600Hz, the timer stop working.

6.2.7 Interruption Register

Table23. Interruption Register

Address	Function	bit7	bit6	bit5	bit4	bit3	bit2	bit1	bit0	Default
0x32	INT Control	○	Reserved	Reserved	Reserved	○	TMPIN	FOPIN [1]	FOPIN [0]	0x00

1) FOPIN[1], FOPIN[0] bit

FOPIN[1:0] used to choose the output of FOUT,/INT or FOUT.

Table24. FOPIN Setting Table

FOPIN[1]	FOPIN[0]	Output Pin
0	0	FOUT(CMOS)
0	1	/INT(OPEN-DRAIN)

2) TMPIN bit

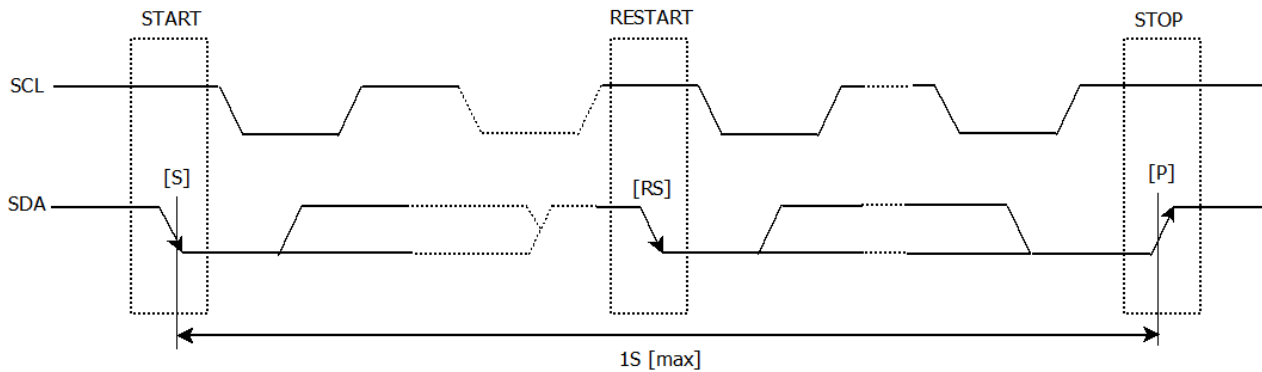
TMPIN used to choose the output of timer, /INT or FOUT.

Table25. TMPIN Setting Table

TMPIN	Output Pin
0	FOUT(CMOS)
1	/INT(OPEN-DRAIN)



7 I²C Bus Interface



I²C bus supports bi-directional communications through a serial clock line SCL and a serial data line SDA. I²C bus device can be defined as “Master” and “Slave”. INS5101A can only be used as Slave.

7.1 Cautions

I²C bus includes START, RESTART, STOP conditions, the duration between START and STOP must be less than 1 second just in case the bus to be set to standby mode automatically. If the time is more than 1S, INS5101A will reset I²C Interface.

INS5101A I²C bus interface supports single byte read/write operations as well as multiple bytes incremental access. After 0xFF address, the next one will be 0x00.

7.2 Slave Address

Table26. I²C Bus Slave Address

Transfer data	Slave address							R/W
	bit7	bit6	bit5	bit4	bit3	bit2	bit1	bit0
65h (Read)	0	1	1	0	0	1	0	1 (Read)
64h (Write)	0	1	1	0	0	1	0	0 (Write)

INS5101A I²C bus Slave Address is [0110 010*].

7.3 I²C bus protocol

It is assumed CPU is master and INS5101A is slave in this section.

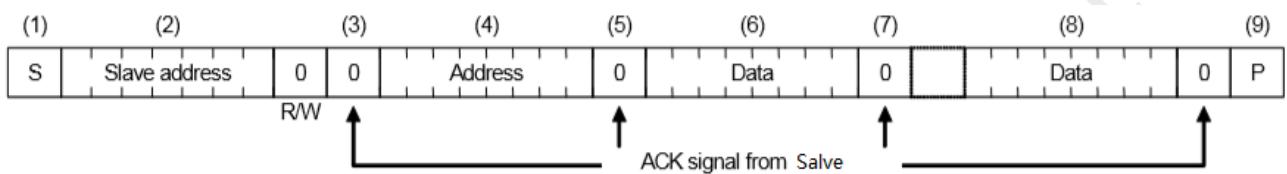
7.3.1 Write process

I²C bus includes an address auto-increment function, once the initial address has been specified, the



INS5710A increments (+1) the address automatically after each data is sent, then to write next data.

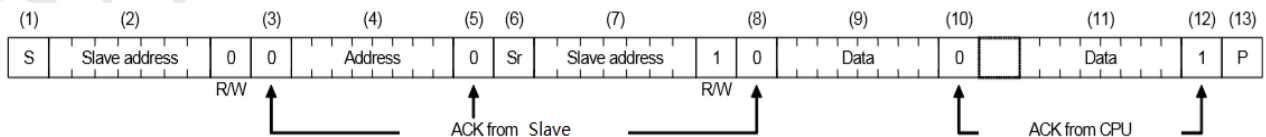
- (1) CPU sends start condition[S]
- (2) CPU sends INS5101A's slave address with R/W bit to set to write mode
- (3) CPU verifies ACK signal from INS5101A
- (4) CPU sends write address to INS5101A
- (5) CPU verifies ACK signal from INS5101A
- (6) CPU sends write data to the address specified at step (4)
- (7) CPU verifies ACK signal from INS5101A
- (8) Repeat (6) (7) if multiple bytes need to be written, address will be incremented automatically
- (9) CPU ends stop condition[P]



7.3.2 Read process

Writing the address to be read with write mode firstly, then reading the data with read mode.

- (1) CPU sends start condition[S]
- (2) CPU sends INS5101A's slave address with R/W bit to set to write mode
- (3) CPU verifies ACK signal from INS5101A
- (4) CPU sends address for reading from INS5101A
- (5) CPU verifies ACK signal from INS5101A
- (6) CPU sends RESTART condition [Sr]
- (7) CPU sends INS5101A's slave address with R/W bit to set to read mode
- (8) CPU verifies ACK signal from INS5101A
- (9) CPU reads data from the specified address in step (4)
- (10) CPU verifies ACK signal from INS5101A
- (11) Repeat (9) (10) if multiple bytes need to be read, address will be incremented automatically
- (12) CPU sends ACK signal for "1"
- (13) CPU sends stop condition[P]





8 Reflow Soldering Curve

Standard: IPC/JEDEC J-STD-020

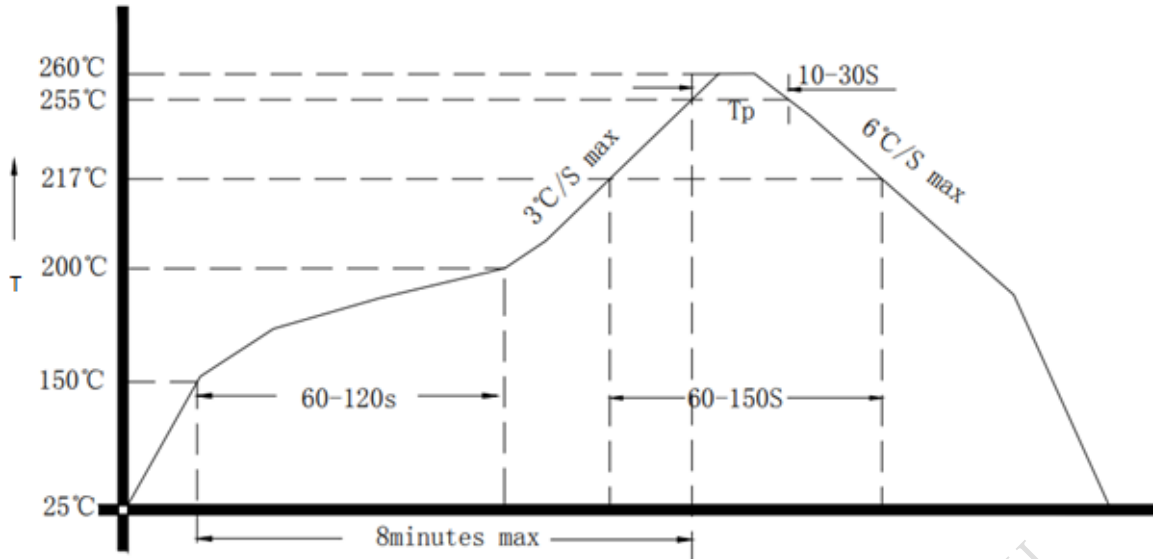
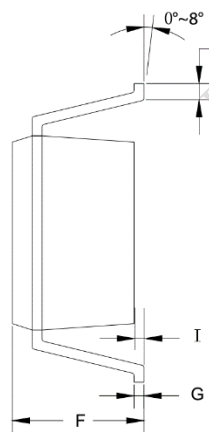
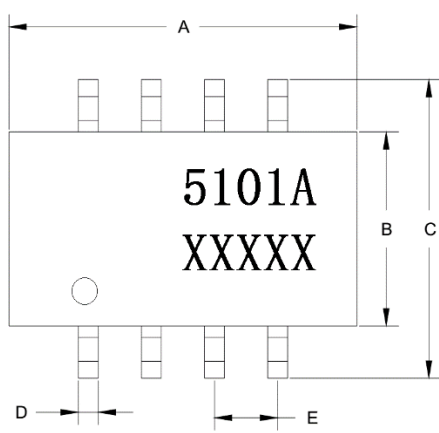


Figure 3. Reflow Soldering Curve

9 Dimensions



Dimension	Min.	Typ.	Max.
A	4.8	4.9	5.0
B	3.8	3.9	4.0
C	5.8	6.0	6.2
D	0.356	--	0.456
E	--	1.27	--
F	1.3	--	1.6
G	0.203	--	0.233
H	0.4	0.6	0.8

(Unit: mm)

Figure 4. Dimension



10 Package Information

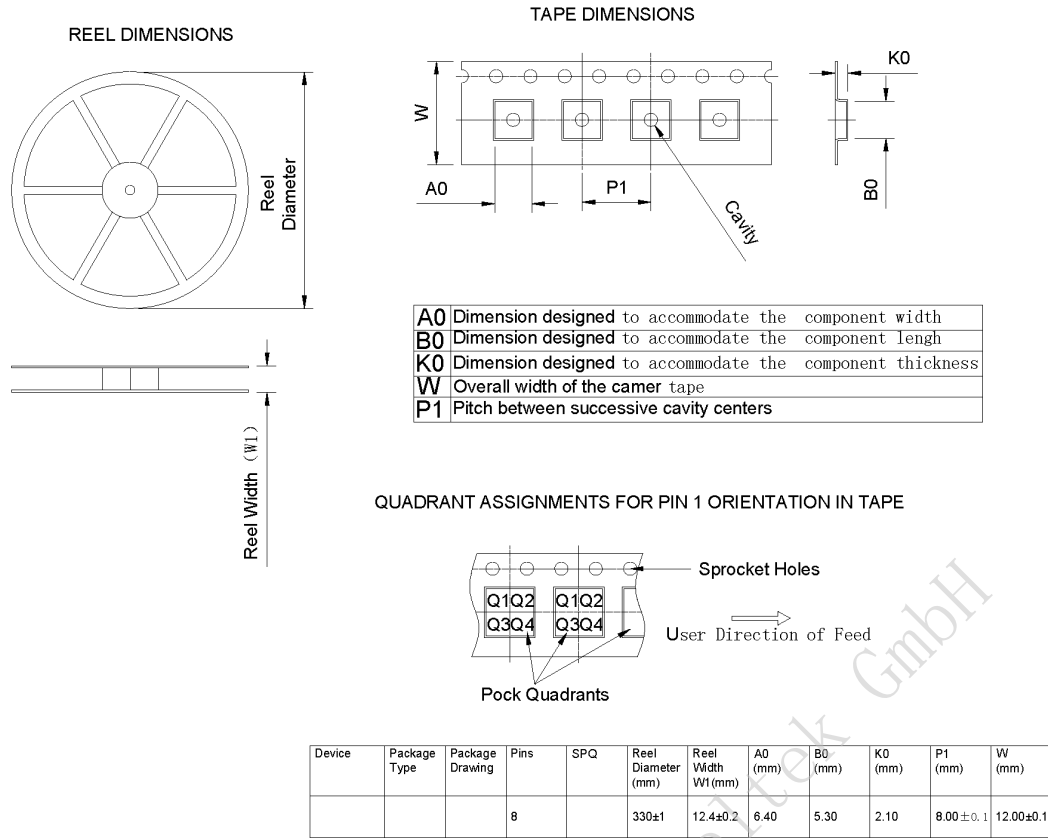


Figure 5. Package information