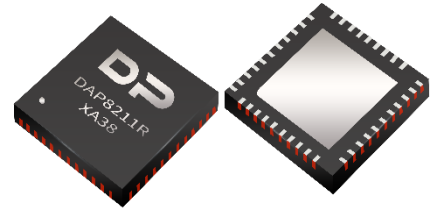




DAP8211R —Gigabit Ethernet PHY

Overview

The DAP8211R device is a robust, low power, single port Gigabit Ethernet and fully featured Physical Layer transceiver which is compliant with IEEE802.3 10BASE-Te, IEEE802.3u 100BASE-TX and IEEE802.3ab 1000BASE-T Ethernet protocols.



This device interfaces directly to the MAC layer through RGMII (Reduced GMII). It supports RGMII to Copper.

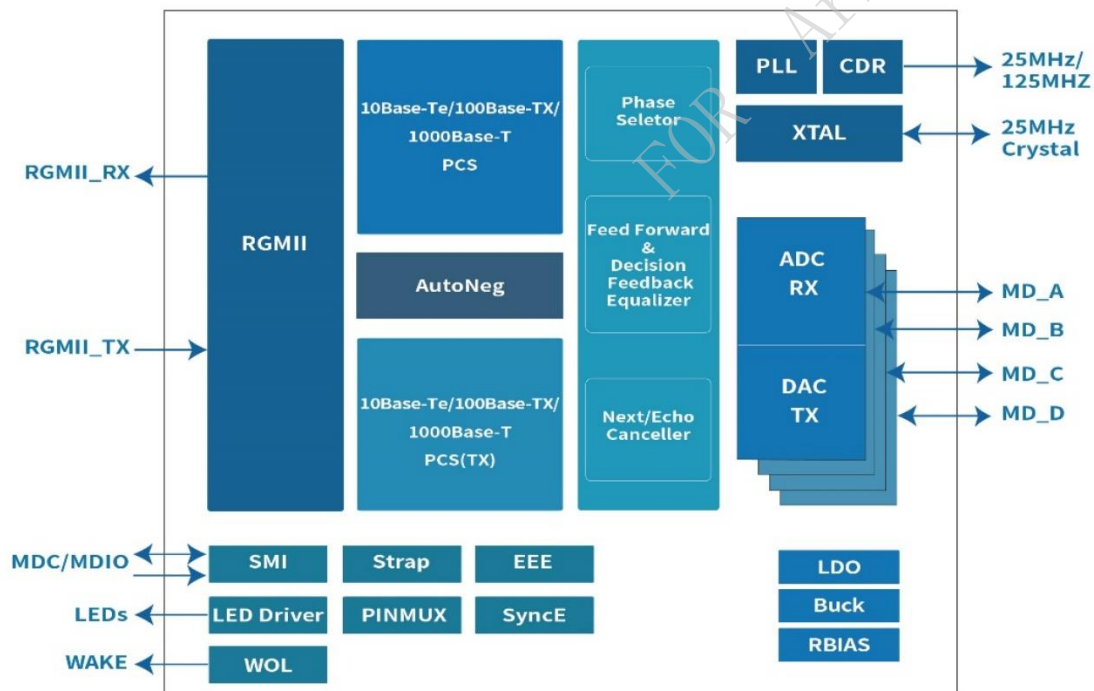
The DAP8211R is designed for easy implementation of 10/100/1000 Mbps Ethernet LANs. The MDI ports interfaces directly to twisted pair media through the external transformer.

Additionally, the DAP8211R provides precision clock synchronization, including a synchronous Ethernet clock output.

The DAP8211R supports single 3.3V power supply and configurable RGMII I/O voltage supporting 3.3V, 2.5V and 1.8V.

Designed for low power, EEE and Wake-on-LAN can be used to lower system power consumption.

Block Diagram





Key Features

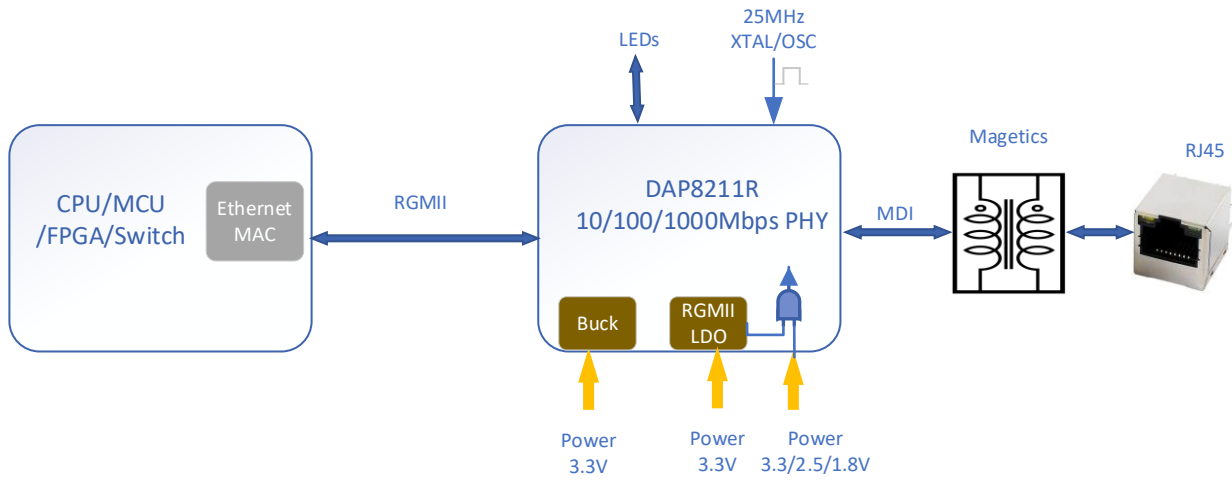
- RGMII MAC interface
- 1000BASE-T IEEE 802.3ab /100BASE-TX IEEE 802.3u/10BASE-Te IEEE 802.3 Compliant
- EEE(IEEE 802.3az-2010)
- Supports SyncE
- WoL (Wake-on-LAN)
- Sleep Mode
- Crossover Detection & Auto-Correction
- Supports Parallel Detection
- Supports Base Line Wander Correction
- Supports Interrupt function
- Automatic polarity correction
- Integrate Linear/Buck Switching Regulator
- 120 meters at 1000Mbps over CAT.5E cable
- Configurable I/O voltage (3.3 V, 2.5 V, 1.8 V) signaling for RGMII
- 3.3V single power supply
- 3 LEDs for Network Status
- 25MHz external crystal/oscillator
- Output 25MHz/125MHz clock for MAC
- Operation Temperature Range: 0°C ~ +70°C
- Package: QFN 40-pin (5mm x 5mm)

Applications

- Enterprise & SOHO
- Wireless Router
- Industrial controls and automation
- LED Display
- Motor drives
- Industrial factory automation
- Field Bus Support
- Industrial embedded computing
- Wired and wireless communications infrastructure
- Test and measurement
- Consumer electronics



Applications Diagram



FOR ARROW



Index

| | |
|--|-----------|
| OVERVIEW | 1 |
| BLOCK DIAGRAM | 1 |
| KEY FEATURES | 2 |
| APPLICATIONS | 2 |
| APPLICATIONS DIAGRAM | 3 |
| REVISION HISTORY | 4 |
| INDEX | 5 |
| 1 PIN DEFINITION | 10 |
| 1.1 QFN40 PIN ASSIGNMENTS | 10 |
| 2 ELECTRICAL CHARACTERISTICS | 13 |
| 2.1 ABSOLUTE MAXIMUM RATINGS | 13 |
| 2.2 RECOMMENDED OPERATING CONDITIONS | 13 |
| 2.3 DC CHARACTERISTICS | 14 |
| 2.4 CLOCK CHARACTERISTICS | 14 |
| 2.5 TIMING CHARACTERISTICS | 15 |
| 2.5.1 <i>Reset Timing</i> | 15 |
| 2.5.2 <i>RGMI I Interface Timing</i> | 16 |
| 2.5.3 <i>SMI Interface Timing</i> | 18 |
| 3 DETAIL DESCRIPTION | 19 |
| 3.1 BLOCK DIAGRAM | 19 |
| 3.2 FEATURE DESCRIPTION | 19 |
| 3.2.1 <i>WoL (Wake-on-LAN)</i> | 19 |
| 3.2.2 <i>IEEE 802.3az-2010 (EEE)</i> | 20 |
| 3.2.3 <i>SyncE</i> | 20 |
| 3.2.4 <i>nINT/nPME</i> | 20 |



| | | |
|----------|--|-----------|
| 3.2.5 | MDI Interface..... | 20 |
| 3.2.6 | MAC Interface(RGMII) | 21 |
| 3.2.7 | Management Interface..... | 21 |
| 3.2.8 | Loopback Mode | 21 |
| 3.2.9 | Hardware Configuration..... | 21 |
| 3.2.10 | Auto-Negotiation..... | 22 |
| 3.2.11 | Crossover Detection and Auto-Correction | 23 |
| 3.2.12 | Baseline Wander Correction | 23 |
| 3.2.13 | Echo Cancellation | 23 |
| 3.2.14 | Crosstalk Cancellation | 23 |
| 3.2.15 | LED Configuration..... | 24 |
| 3.2.16 | Clock | 24 |
| 3.2.17 | Sleep Mode..... | 24 |
| 3.2.18 | Power Supply..... | 24 |
| 3.2.19 | Reset..... | 24 |
| 4 | REGISTERS | 25 |
| 4.1 | BASIC REGISTER..... | 25 |
| 4.1.1 | BMCR(Basic Mode Control , Address: Register 0)..... | 26 |
| 4.1.2 | BMSR (Basic Mode Status , Address: Register 1) | 27 |
| 4.1.3 | PHYID1 (PHY Identifier Register #1 , Address: Register 2) | 29 |
| 4.1.4 | PHYID2 (PHY Identifier Register #2 , Address : Register 3) | 29 |
| 4.1.5 | ANAR (Auto-Negotiation Advertising , Address: Register 4) | 29 |
| 4.1.6 | ANLPA (Auto-Negotiation Link Partner Ability, Address: Register 5) | 30 |
| 4.1.7 | ANE (Auto-Negotiation Expansion Address: Register 6)..... | 31 |
| 4.1.8 | ANNPT (Auto-Negotiation Next Page Transmit Address: Register 0x7)..... | 32 |
| 4.1.9 | ANNPR (Auto-Negotiation Next Page Receive Address: Register 0x8) | 32 |
| 4.1.10 | GBC (1000Base-T Control Address: Register 0x9)..... | 33 |
| 4.1.11 | GBS (1000Base-T Status Address: Register 0xA)..... | 33 |



| | | |
|--------|---|----|
| 4.1.12 | MMD_AC (MMD Access Control; Address: Register 0xD)..... | 34 |
| 4.1.13 | MMD_AAD (MMD Access Address Data, Address: Register 0xE)..... | 35 |
| 4.1.14 | 1000BTS (1000BASE-T Status Register, Address: Register 0xF)..... | 35 |
| 4.1.15 | PHYCR (PHY Control Register, Address: Register 0x10)..... | 35 |
| 4.1.16 | PHYSR (PHY Status Register, Address: Register 0x11)..... | 36 |
| 4.1.17 | INTCR (Interrupt Control Register, Address: Register 0x12)..... | 37 |
| 4.1.18 | INTSR (Interrupt Status Register, Address: Register 0x13)..... | 37 |
| 4.1.19 | SPCR (Speed Configuration Register, Address: Register 0x14)..... | 38 |
| 4.1.20 | RECR (Receiver Error Counter Register, Address: Register 0x15)..... | 39 |
| 4.1.21 | EXT_ADD (Extended Register Address Register, Address: Register 0x1E)..... | 39 |
| 4.1.22 | EXT_DATA (Extended Register Data Register, Register 0x1F)..... | 39 |
| 4.2 | PACKAGE GENERATION EXTENDED REGISTER..... | 39 |
| 4.2.1 | PKGC1 (Package Generation Configure1, Address: Register 0x38)..... | 39 |
| 4.2.2 | PKGC2(Package Generation Configure2, Address: Register 0x39)..... | 40 |
| 4.2.3 | PKGC3(Package Generation Configure3, Address: Register 0x3A)..... | 40 |
| 4.2.4 | PKGC4(Package Generation Configure4, Address: Register 0x3B)..... | 40 |
| 4.2.5 | PKGC5 (Package Generation Configure5, Address: Register 0xA0)..... | 40 |
| 4.2.6 | PKGC6(Package Generation Configure6, Address: Register 0xA1)..... | 41 |
| 4.2.7 | PKGC7(Package Generation Configure7, Address: Register 0xA2)..... | 41 |
| 4.2.8 | PKG_RV_H(Package Receiver Valid High, Address: Register 0xA3)..... | 41 |
| 4.2.9 | PKG_RV_L(Package Receiver Valid Low, Address: Register 0xA4)..... | 42 |
| 4.2.10 | PKG_RX_OSH(Package Receiver OS High, Address: Register 0xA5)..... | 42 |
| 4.2.11 | PKG_RX_OSL(Package Receiver OS Low, Address: Register 0xA6)..... | 42 |
| 4.2.12 | PKG_RX_USH(Package Receiver US High, Address: Register 0xA7)..... | 42 |
| 4.2.13 | PKG_RX_USL(Package Receiver US Low, Address: Register 0xA8)..... | 42 |
| 4.2.14 | PKG_RX_ERR(Package Receiver Error, Address: Register 0xA9)..... | 42 |
| 4.2.15 | PKG_RX_OS_ERR(Package Receiver OS Error, Address: Register 0xAA)..... | 43 |
| 4.2.16 | PKG_RX_FRM (Package Receiver Fragment, Address: Register 0xAB)..... | 43 |



| | | |
|--------|--|----|
| 4.2.17 | PKG_RX_NOSFD (Package Receiver NOSFD, Address: Register 0xAC)..... | 43 |
| 4.2.18 | PKG_TV_H(Package Transmit Valid High, Address: Register 0xAD)..... | 43 |
| 4.2.19 | PKG_TV_L(Package Transmit Valid Low, Address: Register 0xAE) | 43 |
| 4.2.20 | PKG_TX_OSH(Package Transmit OS High, Address: Register 0xAF)..... | 44 |
| 4.2.21 | PKG_TX_OSL(Package Transmit OS Low, Address: Register 0xB0)..... | 44 |
| 4.2.22 | PKG_TX_USH(Package Transmit US High, Address: Register 0xB1)..... | 44 |
| 4.2.23 | PKG_TX_USL(Package Transmit US Low, Address: Register 0xB2)..... | 44 |
| 4.2.24 | PKG_TX_ERR(Package Transmit Error, Address: Register 0xB3) | 44 |
| 4.2.25 | PKG_TX_OS_ERR(Package Transmit OS Error, Address: Register 0xB4)..... | 44 |
| 4.2.26 | PKG_TX_FRM (Package Transmit Fragment, Address: Register 0xB5)..... | 45 |
| 4.2.27 | PKG_TX_NOSFD (Package Transmit NOSFD, Address: Register 0xB6) | 45 |
| 4.3 | GENERAL EXTENDED REGISTER | 45 |
| 4.3.1 | PHY_CON (PHY Device Control Register, Address: Register 0xA001) | 45 |
| 4.3.2 | RGMII_CON (RGMII Control Register, Address: Register 0xA003) | 46 |
| 4.3.3 | RGMII_STA (RGMII Status Register, Address: Register 0xA004)..... | 46 |
| 4.3.4 | SMI_RGMII_CON (SMI & RGMII Control Register, Address: Register 0xA005)..... | 46 |
| 4.3.5 | MISC_CON (MISC Control Register, Address: Register 0xA006)..... | 47 |
| 4.3.6 | WOL_MAC_ADDH(WOL MAC Highest Address Register, Address: Register 0xA007) | 47 |
| 4.3.7 | WOL_MAC_ADDM(WOL MAC Middle Address Register, Address: Register 0xA008) | 47 |
| 4.3.8 | WOL_MAC_ADDL(WOL MAC Lowest Address Register, Address: Register 0xA009)..... | 48 |
| 4.3.9 | WOL_CON (WOL Control Register, Address: Register 0xA00A)..... | 48 |
| 4.3.10 | LED_COMCON (LED Common Control Register, Address: Register 0xA00B)..... | 48 |
| 4.3.11 | LED0_CON (LED0 Control Register, Address: Register 0xA00C) | 49 |
| 4.3.12 | LED1_CON (LED1 Control Register, Address: Register 0xA00D)..... | 50 |
| 4.3.13 | LED2_CON (LED2 Control Register, Address: Register 0xA00E) | 51 |
| 4.3.14 | LED_BLCON (LED Blink Control Register, Address: Register 0xA00F) | 52 |
| 4.3.15 | DRV_STR (Driver Strength Control Register, Address: Register 0xA010)..... | 53 |
| 4.3.16 | SyncE_CON (SyncE Control Register, Address: Register 0xA012) | 53 |



| | | |
|-------|---|----|
| 4.4 | MMD EXTENDED REGISTER..... | 54 |
| 4.4.1 | PCS_CON (PCS Control Register, Address: MMD3 Register 0x00)..... | 54 |
| 4.4.2 | PCS_STA (PCS Status Register, Address: MMD3 Register 0x01)..... | 54 |
| 4.4.3 | EEE_CON (EEE Control Register, Address: MMD3 Register 0x14)..... | 55 |
| 4.4.4 | EEE_WERR (EEE Wake Error Register, Address: MMD3 Register 0x16)..... | 55 |
| 4.4.5 | EEE_LA (EEE Local Ability Register, Address: MMD7 Register 0x3C)..... | 55 |
| 4.4.6 | EEE_PA (EEE Partner Ability Register, Address: MMD7 Register 0x3D)..... | 56 |
| 5 | ENVIRONMENT | 57 |
| 6 | DIMENSIONS..... | 58 |
| 6.1 | QFN40 DIMENSIONS..... | 58 |

FOR ARROW



1 Pin Definition

1.1 QFN40 Pin Assignments

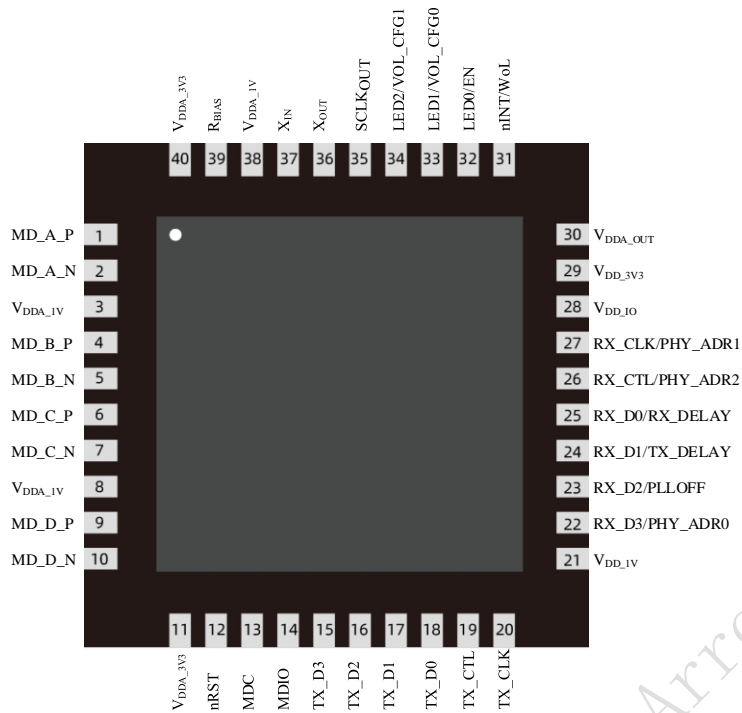


Figure 1 Package 40-Pin (Top View)

I: Input Signal

O: Output Signal

PWR: Power Supply

GND: Ground

EPAD: Exposed thermal PAD

Table1. Pin Definition

| Pin Number | Pin Name | I/O | Description |
|-------------------------|----------|-----|--|
| POWER AND GROUND | | | |
| 11, 40 | VDDA_3V3 | PWR | 3.3V Analog Supply. A 1μF and 0.1μF capacitor are required to GND for each pin. |
| 3, 8, 38 | VDDA_1V | PWR | 1.1V/1.2V Analog Supply. A 1μF and 0.1μF capacitor are required to GND for each pin. |
| 21 | VDD_1V | PWR | Digital Core Power. 1.1V/1.2V |
| 28 | VDD_IO | PWR | Digital I/O power input for RGMII I/O, MDC/MDIO |



| | | | |
|----------------------------------|---------------------|--------|---|
| | | | <p>If disabled the internal LDO, V_{DD_IO} should be supplied by the external power supply.</p> <p>This pin need a bulk capacitor and a decoupling capacitor .</p> |
| 29 | V_{DD_3V3} | PWR | 3.3V Digital power input for others IO excluding RGMII, MDIO |
| 30 | V_{DDA_OUT} | PWR_O | For DAP8211R, Regulator power output 1.1V. A 2.2 μ H inductor is required. |
| 41 | EPAD | GND | Exposed PAD Ground |
| CLOCK | | | |
| 35 | SCLK _{OUT} | O | <p>25/125MHz Clock Output.</p> <ul style="list-style-type: none"> Reference Clock Generated from Internal PLL Recovered clock from UTP for SyncE. Synchronized with the 25 MHz reference clock |
| 36 | X _{OUT} | O | <p>Crystal Output: 25-MHz crystal output</p> <p>If external oscillator provides clock to X_{IN} , the X_{OUT} must be floating.</p> <p>If external oscillator provides clock to X_{OUT} , the X_{IN} must be GND.</p> |
| 37 | X _{IN} | I | <p>Crystal Input: 25-MHz crystal input</p> <p>If external oscillator provides clock to X_{IN} , the X_{OUT} must be floating.</p> <p>If external oscillator provides clock to X_{OUT} , the X_{IN} must be GND.</p> |
| MEDIA DEPENDENT INTERFACE | | | |
| 1 | MD_A_P | I/O | Media Dependent Interface, Differential Transmit and Receive 1 st Signals |
| 2 | MD_A_N | I/O | Media Dependent Interface, Differential Transmit and Receive 1 st Signals |
| 4 | MD_B_P | I/O | Media Dependent Interface, Differential Transmit and Receive 2 nd Signals |
| 5 | MD_B_N | I/O | Media Dependent Interface, Differential Transmit and Receive 2 nd Signals |
| 6 | MD_C_P | I/O | Media Dependent Interface, Differential Transmit and Receive 3 rd Signals |
| 7 | MD_C_N | I/O | Media Dependent Interface, Differential Transmit and Receive 3 rd Signals |
| 9 | MD_D_P | I/O | Media Dependent Interface, Differential Transmit and Receive 4 th Signals |
| 10 | MD_D_N | I/O | Media Dependent Interface, Differential Transmit and Receive 4 th Signals |
| MANAGEMENT INTERFACE | | | |
| 12 | nRST | I | <p>Reset: The active low RESET initializes or reinitializes the PHY. All internal registers reinitialize to the default state after reset.</p> <p>Note: The reset signal must be held low at least 10 ms, suggest to be pulled up.</p> |
| 13 | MDC | I/PD | Management Data Clock |
| 14 | MDIO | I/O/PU | Input/Output of Management Data. |
| 31 | nINT/nPME | O/OD | <p>This pin is shared by two functions, keep this pin floating if either of the functions is not used.</p> <p>1. Interrupt (supports 3.3V pull up).</p> <p>Set low if the specified events happened; active low.</p> |



| | | | |
|------------------------|------------------------|---------|---|
| | | | 2. Power Management Event (supports 3.3V pull up). Set low if received a magic packet or Wake-Up frame, or wake up event; active low. |
| RGMII Interface | | | |
| 15 | TX_D3 | I/PD | RGMII Transmit Data. Data is transmitted from MAC to PHY |
| 16 | TX_D2 | I/PD | RGMII Transmit Data. Data is transmitted from MAC to PHY |
| 17 | TX_D1 | I/PD | RGMII Transmit Data. Data is transmitted from MAC to PHY |
| 18 | TX_D0 | I/PD | RGMII Transmit Data. Data is transmitted from MAC to PHY |
| 19 | TX_CTL | I/PD | RGMII Transmit Control Signal |
| 20 | TX_CLK | I/PD | RGMII Transmit Reference Clock, 125Mhz, 25MHz, or 2.5MHz |
| 22 | RX_D3/PHY_ADR0 | O/LI/PD | RGMII Receiver Data. Data is transmitted from PHY to MAC. PHY Address[0] |
| 23 | RX_D2/PLLOFF | O/LI/PD | RGMII Receiver Data. Data is transmitted from PHY to MAC. In sleep mode, PLL off configuration when pulled down. |
| 24 | RX_D1/TX_DELAY | O/LI/PD | RGMII Receiver Data. Data is transmitted from PHY to MAC. RGMII transmit timing delay control. Pull up to add 2ns delay to TXC for TXD latching for 125MHz TX_CLK. |
| 25 | RX_D0/RX_DELAY | O/LI/PU | RGMII Receiver Data. Data is transmitted from PHY to MAC. RGMII receive timing delay control. Pull-up to add: 2ns delay on RX_CLK when RX_CLK is 125MHz Or 8ns delay on RX_CLK when RX_CLK is 25MHz/2.5MHz, which shall be used to latch RXD. |
| 26 | RX_CTL/PHY_ADR2 | O/LI/PD | RGMII Receiver Control signal. PHY Address[2] |
| 27 | RX_CLK/PHY_ADR1 | O/LI/PD | RGMII Receiver Reference Clock. 125Mhz, 25MHz, or 2.5MHz PHY Address [1] |
| LED | | | |
| 32 | LED0/EN _{LDO} | O/LI/PU | LED0 Light = Link up at 10Mbps Blinking = Transiting or Receiving Enable LDO |
| 33 | LED1/VOL_CFG0 | O/LI/PU | LED1 Light = Link up at 100Mbps Blinking = Transiting or Receiving RGMII Voltage Configure[0] |
| 34 | LED2/VOL_CFG1 | O/LI/PD | LED2 Light = Link up at 1000Mbps Blinking = Transiting or Receiving |



| | | | |
|---------------|-------|---|---|
| | | | RGMII Voltage Configure[1] |
| Others | | | |
| 39 | RBIAS | O | Bias Resistor Connection. External 2.49 kΩ 1% resistor connection to GND. |

2 Electrical Characteristics

2.1 Absolute Maximum Ratings

Table2. Absolute Maximum Ratings

| Parameter | Symbol | Value | | | Unit | Notes |
|--------------------------------|----------------------|-------|------|------|------|-------|
| | | Min. | Typ. | Max. | | |
| Power Supply Voltage | V _{DD_3V3} | -0.5 | | 3.63 | V | |
| | V _{DDA_3V3} | | | | | |
| | V _{DD_1V} | -0.3 | | 1.32 | V | |
| | V _{DDA_1V} | | | | | |
| | V _{DD_IO} | -0.5 | | 3.63 | V | |
| Storage temperature | T _{STG} | | | 150 | °C | |
| Operating Junction Temperature | T _{Jun} | -40 | | 125 | °C | |
| Lead Soldering Temperature | | | | 260 | °C | |

2.2 Recommended Operating Conditions

Table3. Recommended Operating Conditions

| Parameter | Symbol | Value | | | Unit | Notes |
|---------------------------|----------------------|-------|------|------|------|-------|
| | | Min. | Typ. | Max. | | |
| 3.3V Power Supply Voltage | V _{DD_3V3} | 2.97 | 3.3 | 3.63 | V | |
| | V _{DDA_3V3} | | | | | |
| 1.0V Power Supply Voltage | V _{DD_1V} | 1.05 | 1.10 | 1.30 | V | |
| | V _{DDA_1V} | | | | | |
| 3.3V Power Supply Voltage | V _{DD_IO} | 2.97 | 3.3 | 3.63 | V | |
| 2.5V Power Supply Voltage | V _{DD_IO} | 2.25 | 2.5 | 2.75 | V | |
| 1.8V Power Supply Voltage | V _{DD_IO} | 1.62 | 1.8 | 1.98 | V | |
| Max. Junction | T _{JUNC} | 0 | | 125 | °C | |



| Parameter | Symbol | Value | | | Unit | Notes |
|---|---------------------|-------|------|------|------|-----------------------------------|
| | | Min. | Typ. | Max. | | |
| Temperature | | | | | | |
| Operation temperature | T _{OPR} | 0 | 25 | 70 | °C | |
| Thermal resistance - junction to ambient | θ _{JA} | | 32 | | °C/W | JEDEC with no air flow TA=25°C |
| Thermal resistance - junction to board | θ _{JB} | | 12 | | °C/W | JEDEC with no air flow |
| Thermal resistance - junction to top case | θ _{JC-Top} | | 27 | | °C/W | JEDEC with no air flow |

2.3 DC Characteristics

Table4. DC Characteristics

| Parameter | Symbol | Value | | | Unit | Notes |
|---------------------------|------------------|-------|------|------|------|---|
| | | Min. | Typ. | Max. | | |
| High-level input voltage | V _{IH1} | 2.0 | | | V | V _{DDIO} =3.3V |
| | V _{IH2} | 1.7 | | | V | V _{DDIO} =2.5V |
| | V _{IH3} | 1.2 | | | V | V _{DDIO} =1.8V |
| Low-level input voltage | V _{IL1} | | | 0.8 | V | V _{DDIO} =3.3V |
| | V _{IL2} | | | 0.7 | V | V _{DDIO} =2.5V |
| | V _{IL3} | | | 0.5 | V | V _{DDIO} =1.8V |
| High-level output voltage | V _{OH1} | 2.4 | | 3.6 | V | V _{DDIO} =3.3V, I _{OH} =-20mA |
| | V _{OH2} | 2.0 | | 2.8 | | V _{DDIO} =2.5V, I _{OH} =-20mA |
| | V _{OH3} | 1.62 | | 2.1 | | V _{DDIO} =1.8V, I _{OH} =-10mA |
| Low-level output voltage | V _{OL1} | -0.3 | | 0.4 | V | V _{DDIO} =3.3V, I _{OH} =20mA |
| | V _{OL2} | -0.3 | | 0.4 | | V _{DDIO} =2.5V, I _{OH} =20mA |
| | V _{OL3} | -0.3 | | 0.4 | | V _{DDIO} =1.8V, I _{OH} =10mA |

2.4 Clock Characteristics

Table5. Clock Characteristics

| Parameter | Symbol | Value | Unit | Comments |
|-----------|--------|-------|------|----------|
|-----------|--------|-------|------|----------|



| | | Min. | Typ. | Max. | | |
|-----------------------------------|----------------|------|------|------|-----|--|
| Crystal | | | | | | |
| Frequency | $F_{XIN/XOUT}$ | | 25 | | MHz | |
| Stability | $\Delta f/f$ | -50 | | 50 | ppm | |
| Oscillator Characteristics | | | | | | |
| Frequency | F_{XIN} | | 25 | | MHz | |
| Input High Voltage | V_{XINH} | 2.0 | | | V | |
| Input Low Voltage | V_{XINL} | | | 0.8 | V | |
| DutyCycle | Duty_Cycle | 40 | | 60 | % | |
| Stability | $\Delta f/f$ | -50 | | 50 | ppm | |

2.5 Timing Characteristics

2.5.1 Reset Timing

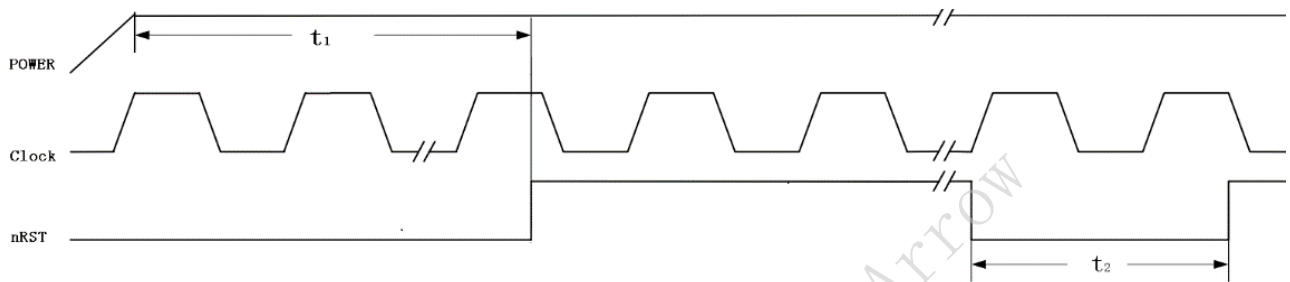


Figure 1. Reset Timing

Table6. Reset Timing

| Parameter | Symbol | Value | | | Unit |
|---|--------|-------|------|------|------|
| | | Min. | Typ. | Max. | |
| Reset de-assert time after power on | t1 | 10 | | | ms |
| Minimum reset pulse during normal operation | t2 | 10 | | | ms |



2.5.2 RGMII Interface Timing

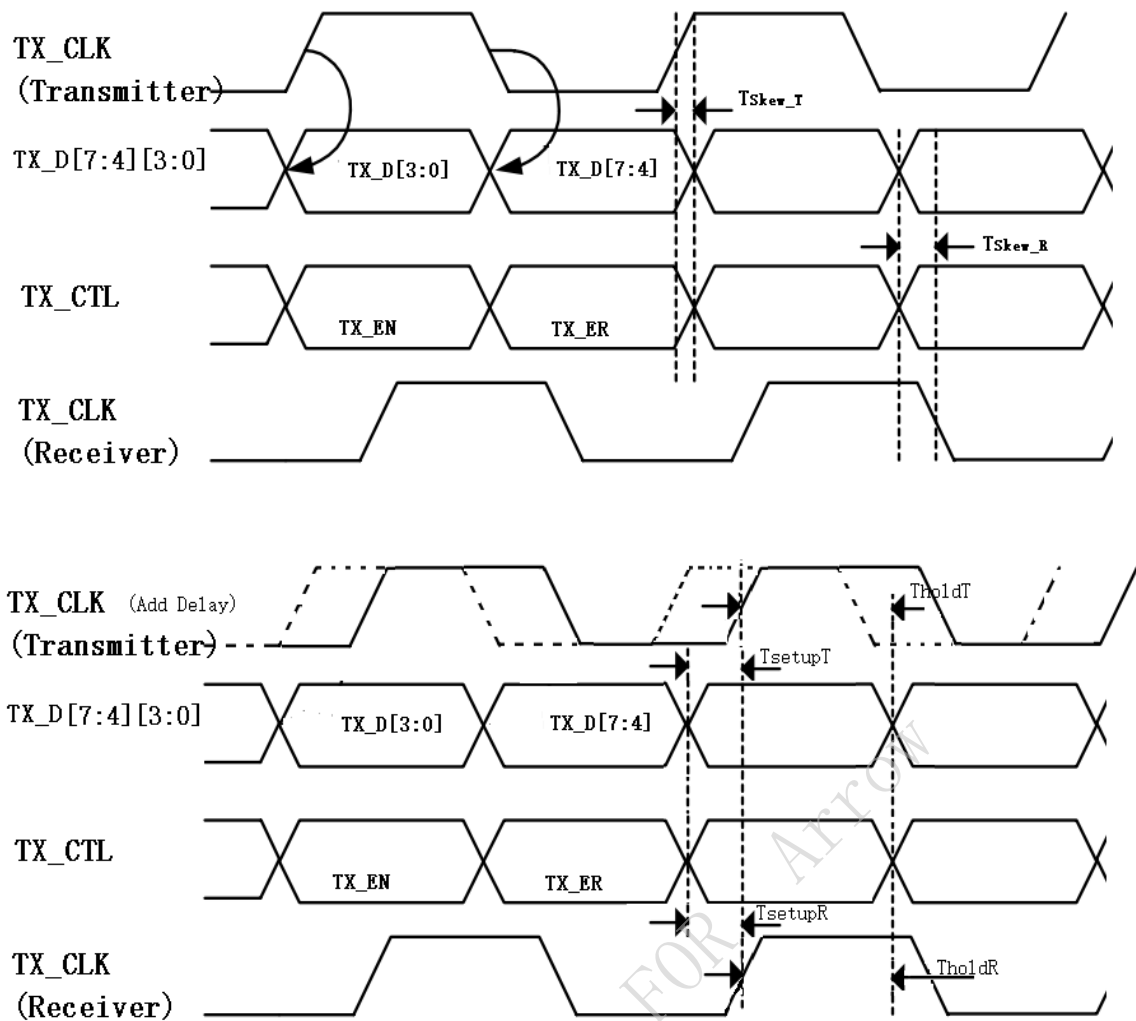


Figure 2. RGMII Transmit Timing

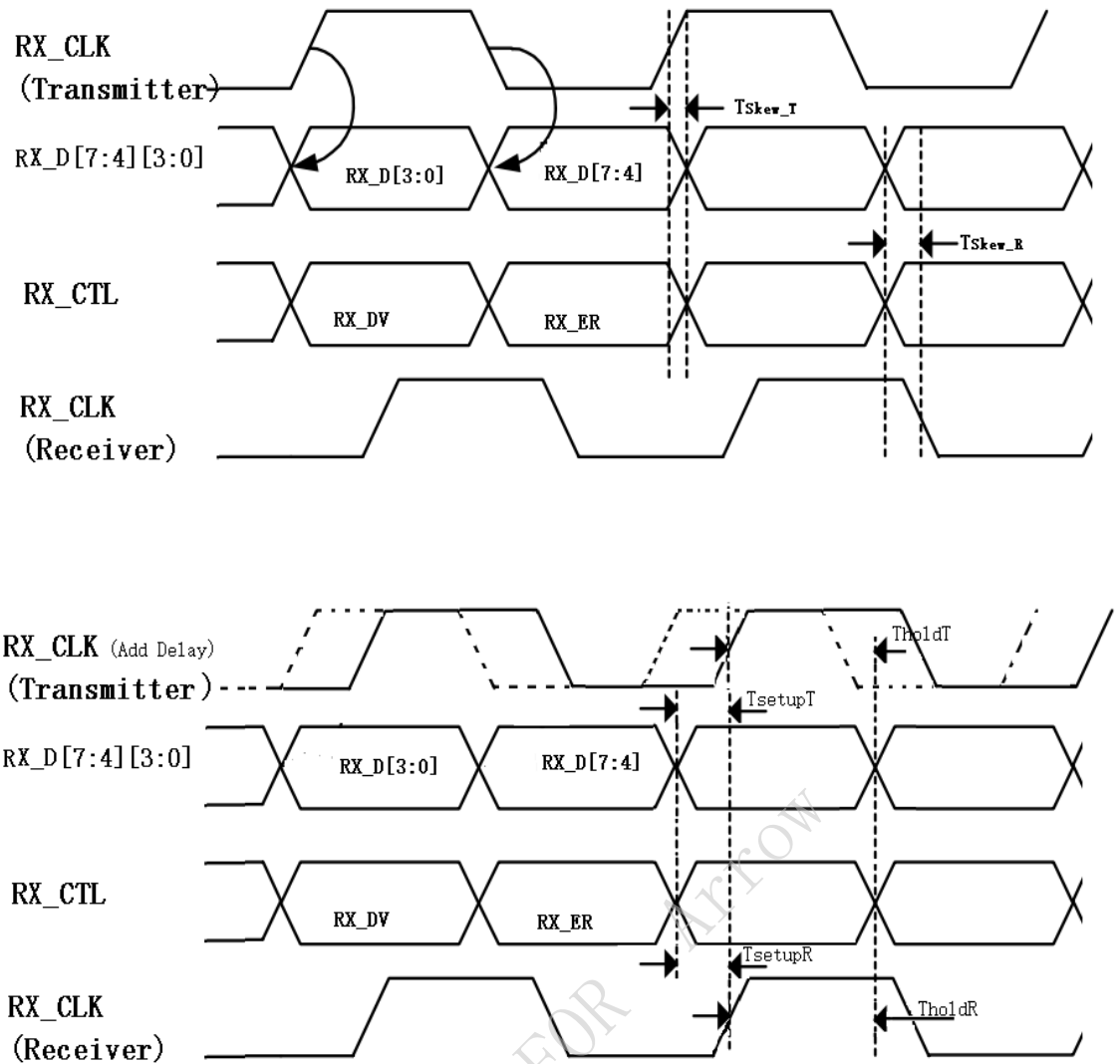


Figure 3. RGMII Receive Timing

Table7. RGMII Timing

| Parameter | Symbol | Value | | | Unit | Notes |
|--|---------------------|-------|------|------|------|-------------------------|
| | | Min. | Typ. | Max. | | |
| Clock Cycle Duration | T_{Cycle} | 7.2 | 8.0 | 8.8 | ns | |
| Duty Cycle | Duty | 45 | 50 | 55 | % | 1000Base-T |
| | | 40 | 50 | 60 | % | 100Base-TX 10Base-Te |
| Rise/Fall Time | T_{Rise}/T_{Fall} | | | 0.75 | ns | 20~80% |
| Data to Clock output Skew (at receiver) | T_{Skew_R} | 1 | | | ns | |
| Data to Clock output Skew (at transmitter) | T_{Skew_T} | -0.5 | | 0.5 | ns | |



| Parameter | Symbol | Value | | | Unit | Notes |
|--|---------|-------|------|------|------|-------|
| | | Min. | Typ. | Max. | | |
| Data to Clock Output Setup Time at transmitter (with delay integrated at transmitter) | TsetupT | 1.0 | 2.0 | | ns | |
| Clock to Data Output Hold Time at transmitter (with delay integrated at transmitter) | TholdT | 1.0 | 2.0 | | ns | |
| Data to Clock Input Setup Time at receiver (with delay integrated at transmitter) | TsetupR | 1.0 | 2.0 | | ns | |
| Clock to Data Input Hold Time at receiver (with delay integrated at transmitter) | TholdR | 1.0 | 2.0 | | ns | |

2.5.3 SMI Interface Timing

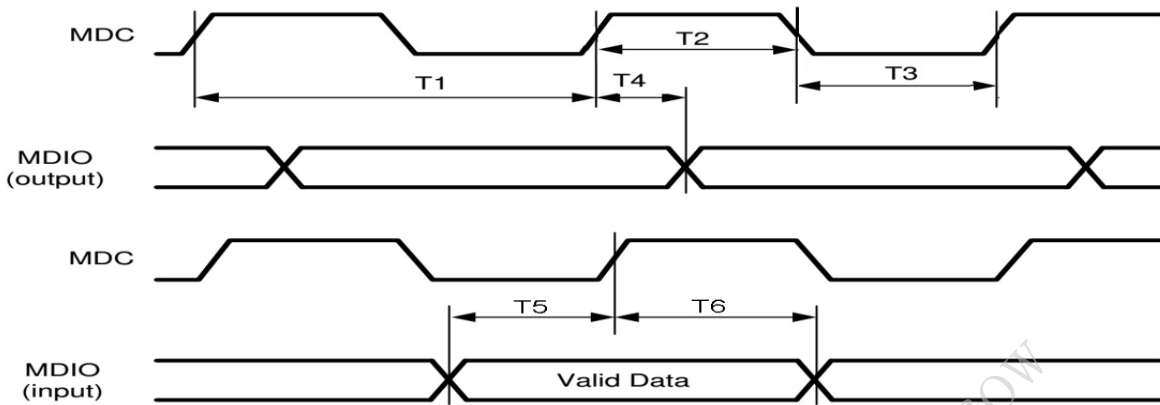


Figure 4. SMI interface Timing

Table8. RGMII Timing

| Parameter | Symbol | Value | | | Unit | Notes |
|---------------------------------|--------|-------|------|------|------|-------|
| | | Min. | Typ. | Max. | | |
| MDC Clock Cycle Duration | T1 | 80 | | | ns | |
| MDC Clock High Level Duration | T2 | 32 | | | | |
| MDC Clock Low Level Duration | T3 | 32 | | | | |
| MDC to MDIO (output) delay time | T4 | | | 20 | | |
| MDIO (input) to MDC setup time | T5 | 10 | | | | |
| MDIO (input) to MDC hold time | T6 | 10 | | | | |



3 Detail Description

3.1 Block Diagram

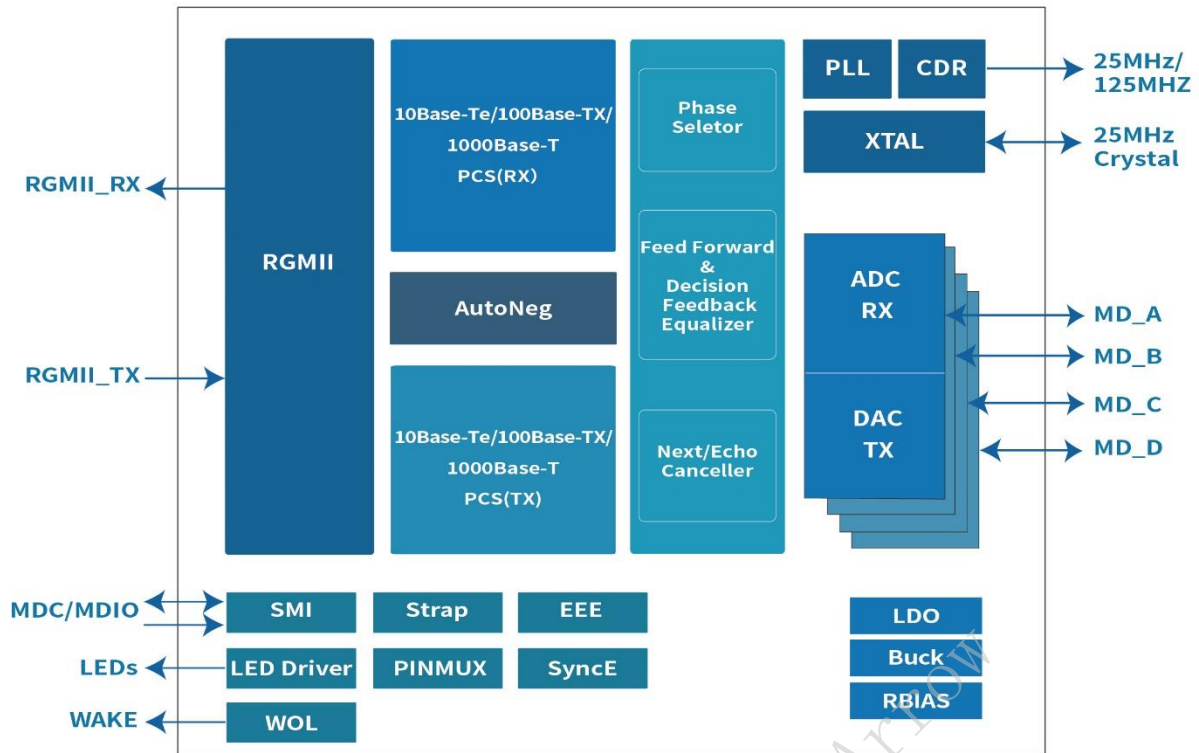


Figure 5. Block Diagram

3.2 Feature Description

3.2.1 WoL (Wake-on-LAN)

Wake-on-LAN provides a mechanism to detect dedicated frames and inform the connected MAC through either a register status change, WoL indication, or an interrupt flag. The connected devices (MAC) placed above the Physical Layer to operate in a low power mode until special magic packet are detected.

3.2.1.1 Magic Packet

If register field WOL_CON bit3 is set to “1”, Magic Packet Event is enabled. Magic Packet is defined as 6 bytes of “FF” followed by 16 iterations of the destination address, which is the waked up MAC address that is defined in register field WOL_MAC_ADDH, WOL_MAC_ADDM, WOL_MAC_ADDL. A “1” in register INTSR bit 6 indicates there is a Magic Packet received and it would be cleared after read.



3.2.2 IEEE 802.3az-2010 (EEE)

The DAP8211R supports IEEE 802.3az-2010(EEE: Energy Efficient Ethernet). EEE defines a negotiation method to enable link partners to decide whether EEE is supported.

Based on link utilization efficiency and EEE protocol, the transitions would work in different mode. When no packets are being transmitted, DAP8211R would work in Low Power Idle mode to save power. As soon as packets to be transmitted, DAP8211R returns to normal mode, and this doesn't impact the link status and dropping frames.

3.2.3 SyncE

DAP8211R supports Sync-E function.

When this function is enabled in slave mode, recovered 25MHz/125MHz clock will be output through CLK_{OUT} pad.

If the device is in master mode, the CLK_{OUT} will output the clock based on the local free run PLL.

3.2.4 nINT/nPME

The nINT/nPME pin (pin 31) is designed to notify both interrupt and WoL events. It is nINT mode at default. It could generate interrupts to external SOC.

DAP8211R provides an active low interrupt output based on change of the PHY status. Every interrupt condition is represented by the read-only general interrupt status register (Interrupt Status Register (Basic register 0x13)).

The interrupts can be individually enable or disable by setting or clearing bits in the interrupt enable register (Interrupt Mask Register (Basic register 0x12)).

If nPME mode is selected (Ext_0xa00a, bit[6]=1), pin 31 becomes a fully functional nPME pin. Note that the interrupt function is disabled in this mode.

The behavior of nINT is level-triggered, the behavior of nPME is level-triggered or pulse-triggered which is controlled by EXT 0xA00A bit[0].

3.2.5 MDI Interface

DAP8211R supports the 1000Base-T, 100Base-TX and 10Base-Te standard as defined by the IEEE 802.3, 802.3ab and 802.3u standards.

In 1000Base-T mode, the PHY will use four pairs MDI channels for communication at 125MBaud/s through D/A or A/D converter. The communicated data are encoded/decoded in 4D-PAM5 and RGMII works at a clock speed of 125MHz. For transmitter, pulse shaping and slew rate control technology are used to eliminate EMI problem. A hybrid analog front end is employed to reduce near-end echo, which allows transmitter and receiver to share one transformer. In the digital domain, echo cancellation, cross-talk cancellation, baseline drift cancellation and adaptive equalization are realized

In 100Base-TX mode, the PHY will use two pairs MDI channels (Pairs A and B) for communication. The communicated data are encoded/decoded in 4B/5B and RGMII works at a clock speed of 25MHz.



In 10Base-T mode, the PHY will also use two MDI channels (Pairs A and B) for communication. The communicated data are encoded/decoded in Manchester and RGMII works at a clock speed of 2.5MHz.

3.2.6 MAC Interface(RGMII)

The DAP8211R supports RGMII 2.0 interface between MAC and PHY. The RGMII(Reduced Gigabit Media Independent Interface) is designed to reduce the number of pins required to interconnect the MAC and PHY (12 pins for RGMII). There are 6 pins for transmit path and 6 pins for receive path. For 100M/10M application, RGMII is similar to MII. The only difference is that tx_er/rx_er is transmitted by TX_CTL/RX_CTL on the falling edge of clock. Both rising and falling edges of the clock are used. For 1000M, the GTX_CLK and RX_CLK clocks are 125 MHz, and for 10 M and 100 M, the clock frequencies are 2.5 MHz and 25 MHz respectively.

3.2.7 Management Interface

The management interface provides access to the internal registers through the MDC and MDIO pins. The MDC signal is the management data clock reference to the MDIO signal, and clock rates up to 12.5MHz. The MDIO is the management data input/output and is a bi-directional signal that runs synchronously to MDC. The MDIO pin needs a pull-up resistor.

3.2.8 Loopback Mode

There are several options for loopback mode that test and verify various functional blocks within the PHY. Enabling loopback mode allows in-circuit testing of the digital and analog data paths. Generally, the DAP8211R may be configured to 4 loopback modes.

| Loopback Mode | Description |
|-------------------|--|
| PCS Loopback | When BMCR register field Loopback is set to “1”, data sent through RGMII will route to PCS layer rx port through PCS TX path. Then these data will route back to RGMII RX pad through PCS RX path. |
| External Loopback | An external loopback stub allows testing the complete data path without the need of a link partner. In this case it seems the data send through RGMII TX interface with be forwarded to RGMII RX interface through MDI interface |
| Remote Loopback | When MISC_CON register field Remote_loopback is set to “1”, data transmitted from rgmii tx interface will route back to rgmii rx interface. This checks if rgmii works correctly for remote link. |

3.2.9 Hardware Configuration

The RGMII I/O pad voltage, RGMII TX/RX clock delay, and PHY address can be set by hardware. These configurations are setup through dedicated IO pin with external pullup/pulldown resistor. When power on reset is de-asserted, the hardware circuit will sample values on these dedicated IO pin.



| Part Number | Dedicated IO | Description | | | | | | | | | | | | | | |
|--------------|-----------------------|---|--------------|-----------------------|--------------|----|----|------|----|------|------|----|------|------|----|------|
| DAP8211R | ADR[2:0] | Set the PHY address for the device. It supports the PHY address from 0x0 to 0x7. The 0x0 is a broadcast address on default. This function can be disabled by setting MDIO config. | | | | | | | | | | | | | | |
| | RXDLY | RGMIi rx clock delay setting. 1: add 2ns delay on RX_CLK when RX_CLK is 125MHz add 8ns delay on RX_CLK when RX_CLK is 25MHz/2.5MHz, 0: no delay | | | | | | | | | | | | | | |
| | TXDLY | RGMIi tx clock delay setting. 1: add 2ns to TX_CLK 0: no delay | | | | | | | | | | | | | | |
| | PLLOFF | In sleep mode, PLL off configuration. | | | | | | | | | | | | | | |
| | EN _{LDO} | Control of internal LDO for IO supply: 1: disable internal LDO, external power supply is for IO. 0: enable internal LDO. IO supply is determined by strap VOL_CFG [1:0]. | | | | | | | | | | | | | | |
| | VOL_CFG[1:0] | RGMIi I/O Voltage selection: <table border="1" style="margin-left: 40px;"> <thead> <tr> <th>VOL_CFG[1:0]</th> <th>External Power Supply</th> <th>Internal LDO</th> </tr> </thead> <tbody> <tr> <td>00</td> <td>NA</td> <td>3.3V</td> </tr> <tr> <td>01</td> <td>2.5V</td> <td>2.5V</td> </tr> <tr> <td>10</td> <td>1.8V</td> <td>1.8V</td> </tr> <tr> <td>11</td> <td>1.8V</td> <td>1.8V</td> </tr> </tbody> </table> | VOL_CFG[1:0] | External Power Supply | Internal LDO | 00 | NA | 3.3V | 01 | 2.5V | 2.5V | 10 | 1.8V | 1.8V | 11 | 1.8V |
| VOL_CFG[1:0] | External Power Supply | Internal LDO | | | | | | | | | | | | | | |
| 00 | NA | 3.3V | | | | | | | | | | | | | | |
| 01 | 2.5V | 2.5V | | | | | | | | | | | | | | |
| 10 | 1.8V | 1.8V | | | | | | | | | | | | | | |
| 11 | 1.8V | 1.8V | | | | | | | | | | | | | | |

3.2.10 Auto-Negotiation

DAP8211R supports Auto-Negotiation function which is defined in 802.3. Auto negotiation is enabled by default and can be disabled by register configuration.

Auto negotiation supports choosing the operation mode automatically by comparing its own abilities and link partner abilities. The advertised abilities include:



- Speed: 10/100/1000Mbps
- Duplex mode: full duplex/ half duplex

Auto negotiation is initialized when the following scenarios happen:

- Power-up/Hardware/Software reset
- Auto negotiation restart
- Transition from power down to power up
- Link down

3.2.11 Crossover Detection and Auto-Correction

The function implements crossover detection automatically for MDI/MDIX cables which eases connection process. The DAP8211R also implements polarity auto correction when cable happens to have wrong polarity connected.

3.2.12 Baseline Wander Correction

DAP8211R uses an advanced baseline wander cancellation circuit that continuously monitors and compensates for this effect, minimizing the impact of DC baseline shift on the overall error rate. Baseline wander is due to the AC coupling of the Ethernet link to the transceiver and the inability of the AC coupling to maintain voltage levels over short periods of time. As a result, the transmitted pulse is distorted, resulting in an incorrect sampling value for the affected pulse. Baseline wander is more problematic in 1000Base-T environments than in 100Base-TX environments due to DC baseline drift in transmitted and received signals.

3.2.13 Echo Cancellation

DAP8211R supports echo cancellation. A hybrid circuit is used to transmit and receive simultaneously on each pair. A signal reflects back as an echo if the transmitter is not perfectly matched to the line. Other connector or cable imperfections, such as patch panel discontinuity and variations in cable impedance along the twisted pair cable, also result in drastic SNR degradation on the receive signal. The device implements a digital echo canceller to adjust for echo and is adaptive to compensate for the varied channel conditions.

3.2.14 Crosstalk Cancellation

DAP8211R supports crosstalk cancellation.

The 1000Base-T physical layer uses all four pairs of wires to transmit data. Because four twisted pair pairs are tied together, significant high-frequency crosstalk occurs between the tied adjacent pairs. The device uses three parallel crosstalk cancellers on each receiving channel to eliminate the crosstalk. DAP8211R eliminates the crosstalk by subtracting estimates of these signals from the equalizer output.



3.2.15 LED Configuration

DAP8211R has three LED outputs for indicator.

The LEDs can be programmed to different status functions from their default value. The LED interface can either be controlled by the PHY or controlled manually, independent of the state of the PHY. They can be used to indicate operation speed, duplex mode, and link status. The LEDs can be programmed to different status functions from their default value. They can also be controlled directly from the register interface.

Because the LED pins are duplexed with the hardware configure dedicated pins, the external circuit required for hardware configure and LED circuit must be considered in order to avoid confliction.

3.2.16 Clock

DAP8211R can use crystal or oscillator as clock reference input.

If use oscillator or other clock sources, use $X_{IN/OUT}$ as clock input pin, and another pin should be left floating or ground.

3.2.17 Sleep Mode

DAP8211R (D) will enter sleep mode when UTP port link down and no signals over UTP cable for 40 seconds.

In sleep mode, DAP8211R (D) will disable almost all the circuits except crystal clock, 10BASE-T_e and MDC/MDIO interface.

In sleep mode, at regular intervals, DAP8211R (D) will wake up and transmit signals via TRXP1/TRXN1. The time interval is a random value of about 2.7s.

DAP8211R (D) exits sleep mode once it detects a UTP line signal

3.2.18 Power Supply

DAP8211R integrates the internal switching regulator or linear regulator that regulates 3.3V power source to 1.1V power output for core power.

DAP8211R with switching regulator is preferred with lower power dissipation.

DAP8211R implements an option for the RGMII power pins and supports 3.3/2.5/1.8V IO voltage. For DAP8211R, RGMII power could be supplied from an internal regulator(2.5/1.8V) or from an external power source(3.3/2.5/1.8V).

3.2.19 Reset

The DAP8211R can be reset by a hardware or software reset.

The DAP8211R has a nRST pin to reset the chip. For a complete PHY reset, this pin must be asserted low for at least 10ms for the internal regulator. All registers will return to default values after a hardware reset. After nRST is released, DAP8211R latches input value on strapping pins which are used as configuration information to provide flexibility in application.



IEEE registers software reset is accomplished by setting the reset bit (bit 15) of the BMCR register (address 0x0000). This bit resets the IEEE-defined standard registers.

4 Registers

The DAP8211R includes 3 register groups.

| | Register Group | Description |
|---|--------------------------------------|--|
| 1 | Basic Register | Basic Register based on IEEE802.3 |
| 2 | Package Generation Extended Register | The Package Generation register based on Extended register mapping |
| 3 | General Extend Register | General Extend Register based on Extended Register Mapping |
| 4 | MMD Register | Extend Register based on MMD Register Mapping |

Register Access Types

| Type | Description |
|-------------|--|
| RW | Read and write |
| RO | Read only. |
| SC | Self-clear. If default value is '0' ('1'), writing a '1' ('0') to this register field causes the function to be activated immediately, and then the field will be automatically cleared to '0' ('1'). |
| RC | Read clear. |
| SWC | Software reset to 0. |
| SWS | Software reset to 1. |
| PS | Default value depends on power on strapping. |
| LH | Latch high. |
| LL | Latch Low. |

4.1 Basic Register

| Item | Address | Function | |
|-------------|----------------|----------------------|--------------------------------|
| | Offset | Register Name | Description |
| 1 | 0x0 | BMCR | Basic Mode Control |
| 2 | 0x1 | BMSR | Basic Mode Status |
| 3 | 0x2 | PHYID1 | PHY Identifier Register #1 |
| 4 | 0x3 | PHYID2 | PHY Identifier Register #2 |
| 5 | 0x4 | ANAR | Auto-Negotiation Advertisement |



| | | | |
|----|------|----------|---------------------------------------|
| 6 | 0x5 | ANLPA | Auto-Negotiation Link Partner Ability |
| 7 | 0x6 | ANE | Auto-Negotiate Expansion |
| 8 | 0x7 | ANNPT | Auto-Negotiate Next Page Transmit |
| 9 | 0x8 | ANNPR | Auto-Negotiate Next Page Receive |
| 10 | 0x9 | GBC | 1000BaseT control |
| 11 | 0xA | GBS | 1000BaseT status |
| 12 | 0xD | MMD_AC | MMD Access Control |
| 13 | 0xE | MMD_AAD | MMD Access Address and Data |
| 14 | 0xF | GBES | 1000BaseT extended status |
| 15 | 0x10 | PHYCR | PHY Control Register |
| 16 | 0x11 | PHYCR | PHY Status Register |
| 17 | 0x12 | INTCR | Interrupt Control Register |
| 18 | 0x13 | INTSR | Interrupt Status Register |
| 19 | 0x14 | SPCR | Speed Configuration Register |
| 20 | 0x15 | RECR | Receiver Error Counter Register |
| 21 | 0x1E | EXT_ADD | Extended Register Address Register |
| 22 | 0x1F | EXT_DATA | Extended Register Data Register |

4.1.1 BMCR(Basic Mode Control, Address: Register 0)

Table9. BMCR

| Bit | Name | Default | Description | Access |
|-----|----------|---------|--|-----------|
| 15 | Reset | 0 | Reset. 1: PHY reset 0: Normal operation Software Reset. Writing a '1' to this bit to reset the PHY states machine. Register 0 (BMCR) and register 1 (BMSR) will return to default values once the reset operation is done. | RW SC |
| 14 | Loopback | 0 | Loopback Mode. 1: Enable PCS loopback mode 0: Disable PCS loopback mode This bit controls the MII loopback. Data inside the PHY which originally comes from the MAC will be sent back to the MAC after MII loopback is enabled, but in the meantime, link will be broken. | RW SWC |
| 13 | Speed[0] | 0 | Speed Select Bit in forced mode. 11: Reserved 10: 1000Mbps 01:100Mbps 00: 10Mbps After completing auto negotiation, this bit will reflect the speed status. | RW |
| 12 | AN_E | 1 | Auto-Negotiation Enable. | RW |



| | | | | |
|-----|----------------|-----|---|-----------------|
| | | | 1: Enable Auto-Negotiation 0: Disable Auto-Negotiation | |
| 11 | PWD | 0 | Power Down. 1: Power down (only Management Interface and logic are active; link is down) 0: Normal Operation | RW SWC |
| 10 | Isolate | 0 | Isolate. 1: Isolate. RGMII interface is isolated; the serial management interface (MDC, MDIO) is still active. When this bit is asserted, the PHY ignores TX_D[3:0], and TXCTL inputs, and presents a high impedance on RXC, RXCTL, RX_D[3:0] 0: Normal Operation | RW SWC |
| 9 | RS_AN | 0 | Restart Auto-Negotiation. 1: Restart Auto-Negotiation 0: Normal operation | RW SC SWS |
| 8 | Duplex | 1 | duplex mode set if auto-negotiation is disabled (register0 bit 12=0). 1: Full duplex 0: Half duplex After completing auto-negotiation, this bit will reflect the duplex status. 1: Full duplex 0: Half duplex | RW |
| 7 | Collision Test | 0 | Collision Test. 1: Enable Collision Test 0: Normal Operation | RW SWC |
| 6 | Speed [1] | 0 | Speed Select Bit 1 Refer to bit [13]. | RW |
| 5:0 | Reserved | 0x0 | Reserved | RO |

4.1.2 BMSR (Basic Mode Status, Address: Register 1)

Table10. BMSR

| Bit | Name | Default | Description | Access |
|-----|--------------|---------|--|--------|
| 15 | 100Base-T4 | 0 | 100Base-T4 Capability. 1: 100Base-T4 support 0: not 100Base-T4 support | RO |
| 14 | 100Base-TX_F | 1 | 100Base-TX (full) Duplex Capability. 1= full-duplex 100Base-TX can be performed by PHY. 0=full-duplex 100Base-TX can't be performed by PHY. | RO |
| 13 | 100Base-TX_H | 1 | 100Base-TX (half) Duplex Capability. 1= half-duplex 100Base-TX can be performed by PHY. 0= half-duplex 100Base-TX can't be performed by PHY. | RO |
| 12 | 10Base-T_F | 1 | 10Base-T (full) Duplex Capability. | RO |



| | | | | |
|----|-------------------|---|--|-----------------------|
| | | | 1= full-duplex 10Base-T can be performed by PHY. 0=full-duplex 10Base-T can't be performed by PHY. | |
| 11 | 10Base-T_H | 1 | 10Base-T (half) Duplex Capability. 1= half-duplex 10Base-T can be performed by PHY. 0= half-duplex 10Base-T can't be performed by PHY. | RO |
| 10 | 100Base-T2_F | 0 | 100Base-T2 (full) Duplex Capability. 1= full-duplex 100Base-T2 can be performed by PHY. 0=full-duplex 100Base-T2 can't be performed by PHY. | RO |
| 9 | 100Base-T2_H | 0 | 100Base-T2(half) Duplex Capability. 1= half-duplex 10Base-T can be performed by PHY. 0= half-duplex 10Base-T can't be performed by PHY. | RO |
| 8 | Extended Status | 1 | 1000Base-T Extended Status Register. 1: Extended status information in Register 0x0F 0: No extended status information in Register 0x0F | RO |
| 7 | Unidirect_Ability | 0 | 1: PHY able to transmit from MII regardless of whether the PHY has determined that a valid link has been established 0: PHY able to transmit from MII only when the PHY has determined that a valid link has been established | RO |
| 6 | MF_PS | 1 | 1=The PHY will accept management frames with preamble suppressed. A minimum of 32 preamble bits are required: the first management interface read/write transaction after reset. One idle bit is required between any two management transactions as per IEEE 802.3u specifications. 0= not accept management frames | RO |
| 5 | AN | 0 | Auto-Negotiation Complete. 0=Auto-Negotiation process is not complete. 1=Auto-Negotiation process is complete. | RO SWC |
| 4 | Remote Fault | 0 | Remote Fault. 0=Remote fault condition is not detected. 1=Remote fault condition is detected (cleared on read or by reset). When in 100Base-FX mode, this bit means an in-band signal Far-End-Fault has been detected (see Far End Fault Indication,). | RO RC SWC LH |
| 3 | AN_A | 1 | Auto-Negotiation Ability. 1=Auto-Negotiation can be performed by PHY 0=Auto-Negotiation can't be performed by PHY | RO |
| 2 | Link Status | 0 | Link Status. 1: Linked 0: Not Linked This bit indicates whether the link was lost since the last read.: | RO LL SWC |



| | | | | |
|---|---------------|---|--|-----------------------|
| | | | the current link status, read this register twice. | |
| 1 | Jabber Detect | 0 | Jabber Detect。 1: Jabber condition detected 0: No Jabber detected | RO RC SWC LH |
| 0 | Ex_Capability | 1 | 1: Extended register capable (permanently=1) 0: Not extended register capable | RO |

4.1.3 PHYID1 (PHY Identifier Register #1, Address: Register 2)

Table11. PHYID1

| Bit | Name | Default | Description | Access |
|------|---------|---------|--|--------|
| 15:0 | OUI_MSB | | Organizationally Unique Identifier Bit [5:0] | RO |

4.1.4 PHYID2 (PHY Identifier Register #2, Address : Register 3)

Table12. PHYID2

| Bit | Name | Default | Description | Access |
|-------|-----------------|---------|--|--------|
| 15:10 | OUI_LSB | | Organizationally Unique Identifier Bit [5:0] | RO |
| 9:4 | Model Number | | Manufacture's Model Number | RO |
| 3:0 | Revision Number | | Revision Number | RO |

4.1.5 ANAR (Auto-Negotiation Advertising, Address: Register 4)

This register contains the advertised abilities of this device as they will be transmitted to its link partner during auto-negotiation.

Table13. ANAR

| Bit | Name | Default | Description | Access |
|-----|--------------|---------|---|--------|
| 15 | Next Page | 0 | Next Page Bit. If 1000BASE-T is advertised, the required next pages are automatically transmitted. This bit must be set to 0 if no additional next page is needed. 0: Not advertised 1: Advertise | RW |
| 14 | ACK | 0 | Acknowledge 1: Acknowledge reception of link partner capability data word 0: Do not acknowledge reception | RO |
| 13 | Remote Fault | 0 | Remote Fault | RW |



| | | | | |
|-----|------------------|-----|---|----|
| | | | 1: Set Remote Fault bit 0: No Remote Fault bit | |
| 12 | Ext_NP | 1 | Extended EXT page enable control bit 1 = Local device supports transmission of extended next pages 0 = Local device does not support transmission of extended next pages. | RW |
| 11 | Asymmetric_PAUSE | 0 | Asymmetric PAUSE 1: Advertise asymmetric pause support 0: No support of asymmetric pause | RW |
| 10 | Pause | 0 | 1 = MAC PAUSE implemented 0 = MAC PAUSE not implemented. | RW |
| 9 | 100Base-T4 | 0 | 1: 100Base-T4 is supported by local node 0: 100Base-T4 not supported by local node | RO |
| 8 | 100Base-TX_F | 1 | 1: 100Base-TX full duplex is supported by local node 0: 100Base-TX full duplex not supported by local node | RW |
| 7 | 100Base-TX_H | 1 | 1: 100Base-TX half duplex is supported by local node 0: 100Base-TX half duplex not supported by local node | RW |
| 6 | 10Base-Te-F | 1 | 1: 10Base-Te full duplex supported by local node 0: 10Base-Te full duplex not supported by local node | RW |
| 5 | 10Base-Te_H | 1 | 1: 10Base-Te half duplex is supported by local node 0: 10Base-Te half duplex not supported by local node | RW |
| 4:0 | Selector Field | 0x1 | Binary Encoded Selector Supported by This Node. Currently only CSMA/CD 00001 is specified. No other protocols are supported. | RW |

4.1.6 ANLPA (Auto-Negotiation Link Partner Ability, Address: Register 5)

This register contains the advertised abilities of the Link Partner as received during auto-negotiation. The content changes after a successful auto-negotiation if Next-pages are supported.

Table14. ANLPA

| Bit | Name | Default | Description | Access |
|-----|--------------|---------|---|-----------|
| 15 | Next Page | 0 | Next Page Indication of link partner. 0: capability datapage 1: no capability datapage | RO RWC |
| 14 | ACK | 0 | Acknowledge 1: Link partner acknowledges reception of local node's capability data word 0: No acknowledgement | RO RWC |
| 13 | Remote Fault | 0 | Remote Fault 1: Link partner is indicating a remote fault 0: Link partner is not indicating a remote fault | RO RWC |



| | | | | |
|-----|-------------------------------|-----|--|-----------|
| 12 | Reserved | - | Reserved. | RO RWC |
| 11 | Asymmetric_P AUSE | 0 | Technology Ability Field. 1 = Link partner requests asymmetric pause 0 = Link partner does not request asymmetric pause | RO RWC |
| 10 | PAUSE | 0 | Technology Ability Field. 1 = Link partner supports pause operation 0 = Link partner does not support pause operation | RO RWC |
| 9 | 100BASE-T4 | 0 | Technology Ability Field. 1 = Link partner supports 100BASE-T4 0 = Link partner does not support 100BASE-T4 | RO RWC |
| 8 | 100BASETX_ FULL_DUPL EX | 0 | Technology Ability Field. 1 = Link partner supports 100BASE-TX full-duplex 0 = Link partner does not support 100BASE-TX full-duplex | RO RWC |
| 7 | 100BASETX_ HALF_DUPL EX | 0 | Technology Ability Field. 1 = Link partner supports 100BASE-TX half duplex 0 = Link partner does not support 100BASE-TX half-duplex | RO RWC |
| 6 | 10BASE Te_FULL_DU PLEX | 0 | Technology Ability Field. 1 = Link partner supports 10BASE-Te full-duplex 0 = Link partner does not support 10BASE-Te full-duplex | RO RWC |
| 5 | 10BASETe_H ALF_DUPLE X | 0 | Technology Ability Field. 1 = Link partner supports 10BASE-Te half duplex 0 = Link partner does not support 10BASE-Te half-duplex | RO RWC |
| 4:0 | Selector Field | 0x0 | Link Partner's Binary Encoded Node Selector. Currently only CSMA/CD 00001 is specified. | RO RWC |

4.1.7 ANE (Auto-Negotiation Expansion Address: Register 6)

This register contains additional status: NWay auto-negotiation.

Table15. ANE

| Bit | Name | Default | Description | Access |
|------|-----------------------------|---------|---|-----------------------|
| 15:5 | Reserved | - | Reserved. | RO |
| 4 | Parallel Detection Fault | 0 | Parallel Detection Fault 1: A fault has been detected via the Parallel Detection function 0: No fault has been detected via the Parallel Detection function | RO RC LH SWC |
| 3 | Link Partner | 0 | Link Partner Next Page Ability | RO |



| | | | | |
|---|-------------------------|---|--|----------------|
| | Next Page Ability | | 1: Link Partner is Next Page able 0: Link Partner is not Next Page able | LH SWC |
| 2 | Local Next Page Ability | 1 | Local Next Page Ability 1: Next Page is able 0: Not Next Page able | RO |
| 1 | Page Received | 0 | 1: A New Page has been received 0: A New Page has not been received | RO RC LH |
| 0 | LP_AN_A | 0 | Link Partner Auto-Negotiation Ability If Auto-Negotiation is Enabled, This Bit Means: 1: Link Partner is Auto-Negotiationable 0: Link Partner is not Auto-Negotiationable | RO |

4.1.8 ANNPT (Auto-Negotiation Next Page Transmit Address: Register 0x7)

Table16. ANNPT

| Bit | Name | Default | Description | Access |
|------|---------------------------|---------|---|--------|
| 15 | Next Page | 0 | Next Page Indication. 1: More next pages to send 0: No more next pages to send | RW |
| 14 | Reserved | 0 | Reserved. | RO |
| 13 | Message Page | 1 | Message Page. 1: Message Page 0: Unformatted Page | RW |
| 12 | Acknowledge2 | 0 | Acknowledge2 1: Local device has the ability to comply with the message received 0: Local device has no ability to comply with the message received | RW |
| 11 | Toggle | 0 | Toggle Bit. | RO |
| 10:0 | Message/Unformatted Field | 0x1 | Content of Message/Unformatted Page. | RW |

4.1.9 ANNPR (Auto-Negotiation Next Page Receive Address: Register 0x8)

Table17. ANNPR

| Bit | Name | Default | Description | Access |
|-----|-------------|---------|--|--------|
| 15 | Next Page | 0 | Next Page Indication. 1: More next pages 0: No more next pages | RO |
| 14 | Acknowledge | 0 | Acknowledge. | RO |



| | | | | |
|------|---------------------------|-----|---|----|
| 13 | Message Page | 0 | Message Page. 1: Message Page 0: Unformatted Page | RO |
| 12 | Acknowledge2 | 0 | Acknowledge2 | RO |
| 11 | Toggle | 0 | Toggle Bit. | RO |
| 10:0 | Message/Unformatted Field | 0x0 | Content of Message/Unformatted Page. | RO |

4.1.10 GBC (1000Base-T Control Address: Register 0x9)

Table18. GBC

| Bit | Name | Default | Description | Access |
|-------|------------------------|---------|--|--------|
| 15:13 | Test Mode | 0x0 | Test Mode Select. 000: Normal Mode 001: Test Mode 1 - Transmit WaveformTest 010: Test Mode 2 - Transmit Jitter Test (MASTER mode) 011: Test Mode 3 - Transmit Jitter Test (SLAVE mode) 100: Test Mode 4 - Transmit Distortion Test 101, 110, 111: Reserved | RW |
| 12 | M/S Enable | 0 | MASTER/SLAVE Manual Configuration Enable 1: Manual MASTER/SLAVE configuration 0: Automatic MASTER/SLAVE | RW |
| 11 | M/S Configure | 0 | Configure Master/Slave Value. 1: Manual configure as MASTER 0: Manual configure as SLAVE | RW |
| 10 | Port Type | 0 | Advertise Device Type Preference. 1: Prefer multi-port device (MASTER) 0: Prefer single port device (SLAVE) | RW |
| 9 | 1000BASE-T Full Duplex | 1 | Advertise 1000BASE-T Full-Duplex Capability. 1: Advertise 0: Do not advertise | RW |
| 8 | 1000BASE-T Half-Duplex | 0 | Advertise 1000BASE-T Half Duplex Capability. 1: Advertise 0: Do not advertise | RW |
| 7:0 | Reserved | 0x0 | Reserved. | RO |

4.1.11 GBS (1000Base-T Status Address: Register 0xA)

Table19. GBS

| Bit | Name | Default | Description | Access |
|-----|--------------|---------|--|----------|
| 15 | MASTER/SLAVE | 0 | Master / Slave Manual Configuration Fault Detected: 1 = Manual Master/Slave Configuration fault detected. | RO RC |



| | | | | |
|-----|---------------------------------------|-----|---|-----------|
| | CONFIGURATION FAULT | | 0 = No Manual Master/Slave Configuration fault detected This register bit will clear on read, | SWC LH |
| 14 | MASTER/SLAVE CONFIGURATION RESOLUTION | 0 | Master / Slave Configuration Results: 1 = Configuration resolved to MASTER. 0 = Configuration resolved to SLAVE. | RO |
| 13 | LOCAL RECEIVER STATUS | 0 | Local Receiver Status: 1 = Local receiver is OK. 0 = Local receiver is not OK. | RO |
| 12 | Remote Receiver | 0 | 1 = Remote Receiver OK 0 = Remote Receiver not OK | RO |
| 11 | 1000BASE-T Full Duplex | 0 | Advertise 1000BASE-T Full-Duplex Capability. 1: Advertise 0: Do not advertise | RO |
| 10 | 1000BASE-T HALF DUPLEX | 0 | Link Partner 1000BASE-T Half Duplex Capable: 1 = Link Partner capable of 1000Base-T Half Duplex. 0 = Link partner not capable of 1000Base-T Half Duplex | RO |
| 9:8 | Reserved | 0 | Reserved. | RO |
| 7:0 | Idle Error Count | 0x0 | MSB of Idle Error Counter. The register indicates the idle error count since the last read operation performed to this register. The counter pegs at 11111111 and does not roll over. | RO |

4.1.12 MMD_AC (MMD Access Control; Address: Register 0xD)

Table20. MMD_AC

| Bit | Name | Default | Description | Access |
|-------|--------------|---------|--|--------|
| 15:14 | MMD Function | 0x0 | MMD Function about Data and Address 00: Address 01: Data; no post increment 10: Data; post increment on reads and writes 11: Data; post increment on writes only | RW |
| 13:5 | RSVD | 0x0 | Reserved. | RO |
| 4:0 | Device_ADD | 0x0 | MMD device address. 00001: MMD1 00011: MMD3 00111: MMD7 | RW |

Note 1: Used in conjunction with the MAADR (Register 14) to provide access to the MMD address space.

Note 2: If the access of MAADR is: address (Function=00) then it is directed to the address register within the MMD associated with the value in the Device_ADD field.

Note 3: If the access of MAADR is: data (Function=01) then both the Device_ADD field and the MMD address register direct the MAADR data accesses to the appropriate registers within the MMD.



4.1.13 MMD_AAD (MMD Access Address Data, Address: Register 0xE)

Table21. MMD_AAD

| Bit | Name | Default | Description | Access |
|------|--------------|---------|---|--------|
| 15:0 | Address Data | 0x0 | [15:14] =00 It means MMD DEVAD's address register [15:14] =01, 10, or 11 It means MMD DEVAD's data register as indicated by the contents of its address register | RW |

4.1.14 1000BTS (1000BASE-T Status Register, Address: Register 0xF)

Table22. 4.15 1000BTS

| Bit | Name | Default | Description | Access |
|------|------------------------------|---------|---|--------|
| 15 | 1000BASE-X FULL DUPLEX | 0 | 1000BASE-X Full Duplex Support: 1 = 1000BASE-X Full Duplex is supported by the local device. 0 = 1000BASE-X Full Duplex is not supported by the local device. | RO |
| 14 | 1000BASE-X HALF DUPLEX | 0 | 1000BASE-X Half Duplex Support: 1 = 1000BASE-X Half Duplex is supported by the local device. 0 = 1000BASE-X Half Duplex is not supported by the local device. | RO |
| 13 | 1000BASE-T FULL DUPLEX | 1 | 1000BASE-T Full Duplex Support: 1 = 1000BASE-T Full Duplex is supported by the local device. 0 = 1000BASE-T Full Duplex is not supported by the local device. | RO |
| 12 | 1000BASE-T HALF DUPLEX | 0 | 1000BASE-T Half Duplex Support: 1 = 1000BASE-T Half Duplex is supported by the local device. 0 = 1000BASE-X Half Duplex is not supported by the local device. | RO |
| 11:0 | RSVD | 0x0 | Reserved. | RO |

4.1.15 PHYCR (PHY Control Register, Address: Register 0x10)

Table23. PHYCR

| Bit | Name | Default | Description | Access |
|------|---------------|---------|---|--------|
| 15:7 | RSVD | 0x0 | Reserved. | RO |
| 6:5 | MDI_CROSSOVER | 0x3 | MDI Crossover Mode: 11 = Enable automatic crossover 10 = Reserved 01 = Manual MDI-X configuration 00 = Manual MDI configuration | RW |
| 4 | RSVD | 0 | Reserved. | RO |
| 3 | CRS-TX | 0 | This bit is effective in 10BASE-Te half-duplex mode and 100BASE-TX mode: 1 = Assert CRS on transmitting or receiving | RW |



| | | | | |
|---|-------------|---|--|----|
| | | | 0 = Never assert CRS on transmitting, only assert it on receiving. | |
| 2 | EN_SEQ_Test | 0 | 1 = SQE test enabled, 0 = SQE test disabled Note: SQE Test is automatically disabled in full-duplex mode regardless the setting in this | RW |
| 1 | POL_REV | 1 | If polarity reversal is disabled, the polarity is forced to be normal in 10BASE-Te. 1 = Polarity Reversal Enabled 0 = Polarity Reversal Disabled | RW |
| 0 | DIS_JAB | 0 | 1 = Disable 10BASE-Te jabber detection function 0 = Enable 10BASE-Te jabber detection function | RW |

4.1.16 PHYSR (PHY Status Register, Address: Register 0x11)

Table24. PHYSR

| Bit | Name | Default | Description | Access |
|-------|-----------------------|---------|--|--------|
| 15:14 | SPEED SELECTION | 0x0 | Speed Select Status: 11 = Reserved 10 = 1000 Mbps 01 = 100 Mbps 00 = 10 Mbps | RO |
| 13 | DUPLEX MODE | 0 | Duplex Mode Status: 1 = Full Duplex 0 = Half Duplex. | RO |
| 12 | PAGE RECEIVED | 0 | Page Received: This bit is latched high and will be cleared upon a read. 1 = Page received. 0 = No page received. | RO |
| 11 | SPEED DUPLEX RESOLVED | 0 | Speed Duplex Resolution Status: 1 = Auto-Negotiation has completed or is disabled. 0 = Auto-Negotiation is enabled and has not completed | RO |
| 10 | LINK_STATUS | 0 | 1 = Link up 0 = Link down | RO |
| 9:7 | RSVD | 0x0 | Reserved. | RO |
| 6 | MDI Crossover Status | 0 | 1 = MDIX 0 = MDI | RO |
| 5 | Wirespeed downgrade | 0 | 1 = Downgrade 0 = No Downgrade | RO |
| 4 | RSVD | 0 | Reserved. | RO |
| 3 | Transmit Pause | 0 | This status bit is valid only when bit11 is 1. Bit11 is set when Auto-Negotiation is completed. This bit indicates MAC pause resolution. This bit is for information purposes only and is not used by the device. When in force mode, this bit is set to be 0. 1 = Transmit pause enabled 0 = Transmit pause disabled | RO |
| 2 | Receive Pause | 0 | This status bit is valid only when bit[11] is 1. Bit[11] is set when Auto-Negotiation is completed. This bit | RO |



| | | | | |
|---|----------|---|--|----|
| | | | indicates MAC pause resolution. This bit is for information purposes only and is not used by the device. When in force mode, this bit is set to be 0. 1 = Receive pause enabled 0 = Receive pause disabled | |
| 1 | Polarity | 0 | 1 = Reverted polarity 0 = Normal polarity | RO |
| 0 | Jabber | 0 | 1 = Jabber 0 = No jabber | RO |

4.1.17 INTCR (Interrupt Control Register, Address: Register 0x12)

Table25. INTCR

| Bit | Name | Default | Description | Access |
|-------|-------------------------------|---------|---|--------|
| 15:14 | AN_ERR_INT_EN | 0x0 | Enable Auto-Negotiation Error Interrupt: 1 = Enable Auto-Negotiation Error interrupt. 0 = Disable Auto-Negotiation Error interrupt. | RW |
| 14 | SPEED_CHNG_INT_EN | 0 | Enable Speed Change Interrupt: 1 = Enable Speed Change interrupt. 0 = Disable Speed Change interrupt. | RW |
| 13 | DUPLEX_MODE_CHNG_INTERRUPT_EN | 0 | Enable Duplex Mode Change Interrupt: 1 = Enable Duplex Mode Change interrupt. 0 = Disable Duplex Mode Change interrupt. | RW |
| 12 | PAGE_RECEIVED_INTERRUPT_EN | 0 | Enable Page Received Interrupt: 1 = Enable Page Received Interrupt. 0 = Disable Page Received Interrupt. | RW |
| 11 | LINK_FAIL_INTERRUPT_EN | 0 | Enable Link Fail Interrupt: 1 = Enable Link Fail Interrupt. 0 = Disable Link Fail Interrupt. | RW |
| 10 | LINK_COMPLETE_INTERRUPT_EN | 0 | Enable Link Complete Interrupt: 1 = Enable Link Complete Interrupt. 0 = Disable LINK Complete Interrupt. | RW |
| 9:7 | RSVD | 0x0 | Reserved. | RW |
| 6 | WOL_INT_EN | 0 | Enable Wake-on-LAN Interrupt: 1 = Enable Wake-on-LAN Interrupt. 0 = Disable Wake-on-LAN Interrupt | RW |
| 5 | WS_DG_INTERRUPT_EN | 0 | Wirespeed downgraded Interrupt 1 = Enable Interrupt. 0 = Disable Interrupt | RW |
| 4:2 | RSVD | 0x0 | Reserved. | RW |
| 1 | PL_CH_INTERRUPT_EN | 0 | Enable Polarity Change Interrupt: 1 = Enable Polarity Change interrupt. 0 = Disable Polarity Change interrupt. | RW |
| 0 | JB_INTERRUPT_EN | 0 | Enable Jabber Interrupt: 1 = Enable Jabber interrupt. 0 = Disable Jabber interrupt | RW |

4.1.18 INTSR (Interrupt Status Register, Address: Register 0x13)

Table26. INTSR

| Bit | Name | Default | Description | Access |
|-----|------|---------|-------------|--------|
|-----|------|---------|-------------|--------|



| | | | | |
|-------|-------------------------|-----|---|----------|
| 15:14 | AN_ERR_INT | 0x0 | Auto-Negotiation Error Interrupt: 1 = Occur Auto-Negotiation Error interrupt 0 = No Auto-Negotiation Error interrupt. | RO RC |
| 14 | SPEED_CHNG_INT_EN | 0 | Speed Change Interrupt: 1 = Occur Speed Change interrupt. 0 = No Speed Change interrupt. | RO RC |
| 13 | DUPLEX_MODE_CHNG_INT_EN | 0 | Duplex Mode Change Interrupt: 1 = Occur Duplex Mode Change interrupt. 0 = No Duplex Mode Change interrupt. | RO RC |
| 12 | PAGE_RECEIVED_INT_EN | 0 | Page Received Interrupt: 1 = Occur Page Received Interrupt. 0 = No Page Received Interrupt. | RO RC |
| 11 | LINK_FAIL_INT_EN | 0 | Link Fail Interrupt: 1 = Occur Link Fail Interrupt. 0 = No Link Fail Interrupt. | RO RC |
| 10 | LINK_COMPLETE_INT_EN | 0 | Link Complete Interrupt: 1 = Occur Link Complete Interrupt. 0 = No LINK Complete Interrupt. | RO RC |
| 9:7 | RSVD | 0x0 | Reserved. | RO RC |
| 6 | WOL_INT_EN | 0 | Wake-on-LAN Interrupt: 1 = Occur Wake-on-LAN Interrupt. 0 = No Wake-on-LAN Interrupt | RO RC |
| 5 | WS_DG_INT_EN | 0 | Wirespeed downgraded Interrupt 1 = Occur Interrupt. 0 = No Interrupt | RO RC |
| 4:2 | RSVD | 0x0 | Reserved. | RO RC |
| 1 | PL_CH_INT_EN | 0 | Polarity Change Interrupt: 1 = Occur Polarity Change interrupt. 0 = No Polarity Change interrupt. | RO RC |
| 0 | JB_INT_EN | 0 | Jabber Interrupt: 1 = Occur Jabber interrupt. 0 = No Jabber interrupt | RO RC |

4.1.19 SPCR (Speed Configuration Register, Address: Register 0x14)

Table27. SPCR

| Bit | Name | Default | Description | Access |
|-------|------------|---------|---|-----------|
| 15:12 | RSVD | 0x0 | Reserved. | RO |
| 11:6 | RSVD | 0x20 | Reserved. | RW |
| 5 | SP_DG_EN | 1 | 1: Enables auto speed downgrade function. Writing this bit requires a software reset to up 0: Disable auto speed downgrade function | RW POS |
| 4:2 | AN_AT_SPDG | 0x3 | Attempts times (set value + additional 2) before downgrading. Such as 11: Attempts five times (set value 3 + additional 2) before downgrading. The number of attempts can be changed by these bits. Only take effect after software rese | RW |
| 1 | RSVD | 0 | Reserved. | RW |



| | | | | |
|---|------|---|-----------|----|
| 0 | RSVD | 0 | Reserved. | RO |
|---|------|---|-----------|----|

4.1.20 RECR (Receiver Error Counter Register, Address: Register 0x15)

Table28. RECR

| Bit | Name | Default | Description | Access |
|------|---------------|---------|---|-----------|
| 15:0 | RXERCNT[15:0] | 0x0 | RX_ER Counter: Receive error counter. This register saturates at the maximum value of 0xFFFF and hold it, not roll over. | RO SWC |

4.1.21 EXT_ADD (Extended Register Address Register, Address: Register 0x1E)

Table29. EXT_ADD

| Bit | Name | Default | Description | Access |
|------|---------|---------|---------------------------|--------|
| 15:8 | RSVD | 0x0 | Reserved. | RO |
| 7:0 | EXT_ADD | 0x0 | Extended Register Address | RW |

4.1.22 EXT_DATA (Extended Register Data Register, Register 0x1F)

Table30. EXT_DATA

| Bit | Name | Default | Description | Access |
|------|----------|---------|------------------------|--------|
| 15:0 | EXT_DATA | 0x0 | Extended Register data | RW |

4.2 Package Generation Extended Register

4.2.1 PKGC1 (Package Generation Configure1, Address: Register 0x38)

Table31. PKGC1

| Bit | Name | Default | Description | Access |
|-------|--------------|---------|--|--------|
| 15:13 | RSVD | - | Reserved. | RO |
| 12 | EN_PKG_DA_SA | 0 | 1: set the DA/SA of the packet generated by package generation to a programmed value; For DA, if 0x38 bit[11] is 1, the DA is set to broadcast address FF-FF-FF-FF-FF-FF; else, the DA is set to fix value, the highest 5 Bytes are 00-00-00-00-00, and the lowest 1 Byte is programmed by EXT 0x3A bit[15:8]. For SA, the highest 5 Bytes are 00-00-00-00-00, and the lowest 1 Byte is programmed by EXT 0x3A bit[7:0]. 0: the DA/SA is not programmed | RW |
| 11 | PKG_BRD | 0 | 1: set the DA to broadcast address FF-FF-FFFF-FF-FF 0: set the DA to a fixed programmed value. Valid when 0x38 bit[12] is 1. | RW |
| 10 | PKG_TXSCR | 0 | 1: The package checker on TX side will check the transmit data generated by pkg_gen; 0: The package checker on TX side will check the transmit data of UTP GMII/MII. | RW |



| | | | | |
|-----|----------------|-------|--|----|
| 9 | PKG_AZ_EN | 0 | 1:Enable send LPI pattern during the IPG of the packages sent by pkg_gen. 0:Disable send LPI pattern during the IPG of the packages sent by pkg_gen | RW |
| 8:0 | PKG_IN_AZ_TIME | 0x1FF | The time of LPI pattern is sent. Unit is us. | RW |

4.2.2 PKGC2(Package Generation Configure2, Address: Register 0x39)

Table32. PKGC2

| Bit | Name | Default | Description | Access |
|------|-----------------|---------|---|--------|
| 15:8 | PKG_PRE_AZ_TIME | 0x20 | The time from the end of last package to the beginning of LPI pattern. Unit is us. | RW |
| 7:0 | PKG_AFT_AZ_TIME | 0x19 | The time from the end of LPI pattern to the beginning of next package. Unit is us. | RW |

4.2.3 PKGC3(Package Generation Configure3, Address: Register 0x3A)

Table33. PKGC3

| Bit | Name | Default | Description | Access |
|------|--------|---------|--|--------|
| 15:8 | PKG_DA | 0x0 | Lowest 8 bits of DA, others are zero. Refer to EXT 0x38 bit[12] for detail. | RW |
| 7:0 | PKG_SA | 0x0 | Lowest 8 bits of SA, others are zero. Refer to EXT 0x38 bit[12] for detail | RW |

4.2.4 PKGC4(Package Generation Configure4, Address: Register 0x3B)

Table34. PKGC4

| Bit | Name | Default | Description | Access |
|------|--------------|---------|---|--------|
| 15:8 | RSVD | - | Reserved. | RO |
| 7:0 | PKG_DATA_FIX | 0x0 | The fixed GMII data pattern that will be sent. Valid when EXT 0xA0 bit[1:0] is 0x3. | RW |

4.2.5 PKGC5 (Package Generation Configure5, Address: Register 0xA0)

Table35. PKGC5

| Bit | Name | Default | Description | Access |
|-----|-------------|---------|---|--------|
| 15 | PKG_CHK_EN | 0 | RX checker checks the UTP GMII/MII RX data; TX checker checks the UTP GMII/MII TX data. 1: Enable UTP RX/TX package checker. 0: Disable UTP RX/TX package checker | RW |
| 14 | PKG_GATE_EN | 1 | 1: Enable gate all the clocks to package self test module when bit15 PKG_CHK_EN is 0, bit13 PKG_GEN_MODE is 1 and bit12 PKG_GEN_EN is 0; | RW |



| | | | | |
|------|----------------|-----|---|----------|
| | | | 0: Not gate the clocks. | |
| 13 | PKG_GEN_MODE | 1 | 1: normal mode, to send GMII/MII TX data from RGMII; 0: test mode, to send out the GMII/MII data generated by UTP pkg_gen module. | RW |
| 12 | PKG_GEN_EN | 0 | 1: to enable pkg_gen generating GMII/MII packages. But, the data will only be sent to transceiver when Bit13 PKG_GEN_MODE is 1'b0. If PKG_BUR_SIZE is 0, continuous packages will be generated and will be stopped only when PKG_GEN_EN is set to 0; Otherwise, after the expected packages are generated, pkg_gen will stop, PKG_GEN_EN will be self-cleared | RW SC |
| 11:8 | PKG_PRM_LENGTH | 0x8 | The preamble length of the generated packages, in Byte unit. Pkg_gen function only support >=2 Byte preamble length. Values smaller than 2 will be ignored by the pkg_gen module. | RW |
| 7:4 | PKG_IPG_LENGTH | 0xD | The IPG of the generated packages, in Byte unit for setting smaller than 12. For setting 13, ipg is 2ms; for setting 14, ipg is 20ms; for 15, ipg is 400ms; Pkg_gen function only support >=2Byte preamble length. Values smaller than 2 will be ignored by the pkg_gen module. | RW |
| 3 | RESV | 0 | Resvered | RW |
| 2 | PKG_COR_CRC | 0 | 1: to make pkg_gen to send out CRC error packages. 0: pkg_gen sends out CRC good packages. | RW |
| 1:0 | PKG_PL | 0x0 | Control the payload of the generated packages. 11: fix pattern set by EXT 0x3B bit7:0 10: fix pattern 0x5AA55AA5... 01: random payload; 00: increased Byte payload | RW |

4.2.6 PKGC6(Package Generation Configure6, Address: Register 0xA1)

Table36. PKGC6

| Bit | Name | Default | Description | Access |
|------|------------|---------|--------------------------------------|--------|
| 15:0 | PKG_LENGTH | 0x40 | the length of the generated packages | RW |

4.2.7 PKGC7(Package Generation Configure7, Address: Register 0xA2)

Table37. PKGC7

| Bit | Name | Default | Description | Access |
|------|--------------|---------|--|--------|
| 15:0 | PKG_BUR_SIZE | 0x0 | the number of packages in a burst of package generation. | RW |

4.2.8 PKG_RV_H(Package Receiver Valid High, Address: Register 0xA3)

Table38. PKG_RVH

| Bit | Name | Default | Description | Access |
|------|----------|---------|---|----------|
| 15:0 | PKG_RV_H | 0x0 | PKG_RV[31:16], PKG_RV is the number of RX packages from wire whose CRC are good and length are >=64Byte and <=1518Byte. | RO RC |



4.2.9 PKG_RV_L(Package Receiver Valid Low, Address: Register 0xA4)

Table39. PKG_RVL

| Bit | Name | Default | Description | Access |
|------|----------|---------|---|----------|
| 15:0 | PKG_RV_L | 0x0 | PKG_RV [15:0], PKG_RV is the number of RX packages from wire whose CRC are good and length are ≥ 64 Byte and ≤ 1518 Byte. | RO RC |

4.2.10 PKG_RX_OSH(Package Receiver OS High, Address: Register 0xA5)

Table40. PKG_RX_OSH

| Bit | Name | Default | Description | Access |
|------|------------|---------|---|----------|
| 15:0 | PKG_RX_OSH | 0x0 | PKG_RX_OS[31:16], PKG_RX_OS is the number of RX packages from wire whose CRC are good and length are > 1518 Byte. | RO RC |

4.2.11 PKG_RX_OSL(Package Receiver OS Low, Address: Register 0xA6)

Table41. PKG_RX_OSL

| Bit | Name | Default | Description | Access |
|------|------------|---------|---|----------|
| 15:0 | PKG_RX_OSL | 0x0 | PKG_RX_OS [15:0], PKG_RX_OS is the number of RX packages from wire whose CRC are good and length are > 1518 Byte. | RO RC |

4.2.12 PKG_RX_USH(Package Receiver US High, Address: Register 0xA7)

Table42. PKG_RX_USH

| Bit | Name | Default | Description | Access |
|------|------------|---------|--|----------|
| 15:0 | PKG_RX_USH | 0x0 | PKG_RX_USH [31:16], PKG_RX_USH is the number of RX packages from wire whose CRC are good and length are < 64 Byte. | RO RC |

4.2.13 PKG_RX_USL(Package Receiver US Low, Address: Register 0xA8)

Table43. PKG_RX_USL

| Bit | Name | Default | Description | Access |
|------|------------|---------|---|----------|
| 15:0 | PKG_RX_USL | 0x0 | PKG_RX_USH [15:0], PKG_RX_USH is the number of RX packages from wire whose CRC are good and length are < 64 Byte. | RO RC |

4.2.14 PKG_RX_ERR(Package Receiver Error, Address: Register 0xA9)

Table44. PKG_RX_ERR

| Bit | Name | Default | Description | Access |
|------|------------|---------|---|--------|
| 15:0 | PKG_IB_ERR | 0x0 | PKG_IB_ERR is the number of RX packages from wire whose | RO |



| | | | | |
|--|--|--|---|----|
| | | | CRC are wrong and length are ≥ 64 Byte, ≤ 1518 Byte | RC |
|--|--|--|---|----|

4.2.15 PKG_RX_OS_ERR(Package Receiver OS Error, Address: Register 0xAA)

Table45. PKG_RX_OS_BAD

| Bit | Name | Default | Description | Access |
|------|---------------|---------|--|----------|
| 15:0 | PKG_RX_OS_ERR | 0x0 | PKG_RX_OS_ERR is the number of RX packages from wire whose CRC are wrong and length are > 1518 Byte. | RO RC |

4.2.16 PKG_RX_FRM (Package Receiver Fragment, Address: Register 0xAB)

Table46. PKG_RX_FRM

| Bit | Name | Default | Description | Access |
|------|------------|---------|---|----------|
| 15:0 | PKG_RX_FRM | 0x0 | PKG_RX_FRM is the number of RX packages from wire whose length are < 64 Byte. | RO RC |

4.2.17 PKG_RX_NOSFD (Package Receiver NOSFD, Address: Register 0xAC)

Table47. PKG_RX_FRM

| Bit | Name | Default | Description | Access |
|------|--------------|---------|--|----------|
| 15:0 | PKG_RX_NOSFD | 0x0 | PKG_RX_NOSFD is the number of RX packages from wire whose SFD is missed. | RO RC |

4.2.18 PKG_TV_H(Package Transmit Valid High, Address: Register 0xAD)

Table48. PKG_RVH

| Bit | Name | Default | Description | Access |
|------|----------|---------|---|----------|
| 15:0 | PKG_TV_H | 0x0 | PKG_TV[31:16], PKG_TV is the number of TX packages from wire whose CRC are good and length are ≥ 64 Byte and ≤ 1518 Byte. | RO RC |

4.2.19 PKG_TV_L(Package Transmit Valid Low, Address: Register 0xAE)

Table49. PKG_TV_L

| Bit | Name | Default | Description | Access |
|------|----------|---------|--|----------|
| 15:0 | PKG_TV_L | 0x0 | PKG_TV[15:0], PKG_TV is the number of TX packages from wire whose CRC are good and length are ≥ 64 Byte and ≤ 1518 Byte. | RO RC |



4.2.20 PKG_TX_OSH(Package Transmit OS High, Address: Register 0xAF)

Table50. PKG_TX_OSH

| Bit | Name | Default | Description | Access |
|------|------------|---------|--|----------|
| 15:0 | PKG_TX_OSH | 0x0 | PKG_TX_OS [31:16], PKG_TX_OS is the number of TX packages from wire whose CRC are good and length are >1518Byte. | RO RC |

4.2.21 PKG_TX_OSL(Package Transmit OS Low, Address: Register 0xB0)

Table51. PKG_TX_OSL

| Bit | Name | Default | Description | Access |
|------|------------|---------|---|----------|
| 15:0 | PKG_TX_OSL | 0x0 | PKG_TX_OS [15:0], PKG_TX_OS is the number of TX packages from wire whose CRC are good and length are >1518Byte. | RO RC |

4.2.22 PKG_TX_USH(Package Transmit US High, Address: Register 0xB1)

Table52. PKG_TX_USH

| Bit | Name | Default | Description | Access |
|------|------------|---------|--|----------|
| 15:0 | PKG_TX_USH | 0x0 | PKG_TX_USH [31:16], PKG_TX_USH is the number of TX packages from wire whose CRC are good and length are <64Byte. | RO RC |

4.2.23 PKG_TX_USL(Package Transmit US Low, Address: Register 0xB2)

Table53. PKG_TX_USL

| Bit | Name | Default | Description | Access |
|------|------------|---------|---|----------|
| 15:0 | PKG_TX_USL | 0x0 | PKG_TX_USH [15:0], PKG_TX_USH is the number of TX packages from wire whose CRC are good and length are <64Byte. | RO RC |

4.2.24 PKG_TX_ERR(Package Transmit Error, Address: Register 0xB3)

Table54. PKG_TX_ERR

| Bit | Name | Default | Description | Access |
|------|------------|---------|---|----------|
| 15:0 | PKG_OB_ERR | 0x0 | pkg_ob_err is the number of TX packages from wire whose CRC are wrong and length are >=64Byte, <=1518By | RO RC |

4.2.25 PKG_TX_OS_ERR(Package Transmit OS Error, Address: Register 0xB4)

Table55. PKG_TX_OSBAD

| Bit | Name | Default | Description | Access |
|------|---------------|---------|---|----------|
| 15:0 | PKG_TX_OS_ERR | 0x0 | It is the number of TX packages from wire whose CRC are wrong and length are >1518Byte. | RO RC |



4.2.26 PKG_TX_FRM (Package Transmit Fragment, Address: Register 0xB5)

Table56. PKG_TX_FRM

| Bit | Name | Default | Description | Access |
|------|------------|---------|---|----------|
| 15:0 | PKG_TX_FRM | 0x0 | PKG_TX_FRM is the number of TX packages from wire whose length are <64Byte. | RO RC |

4.2.27 PKG_TX_NOSFD (Package Transmit NOSFD, Address: Register 0xB6)

Table57. PKG_TX_FRM

| Bit | Name | Default | Description | Access |
|------|--------------|---------|--|----------|
| 15:0 | PKG_TX_NOSFD | 0x0 | PKG_TX_NOSFD is the number of TX packages from wire whose SFD is missed. | RO RC |

4.3 General Extended Register

4.3.1 PHY_CON (PHY Device Control Register, Address: Register 0xA001)

Table58. PHY_CON

| Bit | Name | Default | Description | Access |
|-------|---------------------|---------|---|-----------|
| 15 | SW_RST_MODE | 1 | Device mode change Software reset. Low active, self clear | RW SC |
| 14:12 | RESV | 0x0 | Reserved | RW |
| 11 | IDDQ_MODE | 0 | 1: Iddq test mode 0: Normal mode | RW |
| 10 | RESERVED | 0 | Reserved | RO |
| 9 | EN_GATE_RX_CLK_RGMI | 0 | 1=to close RXC when PHY link down; 0=do not close RXC when PHY link down. | RW |
| 8 | RXC_DLY_EN | 1 | rgmii clk 2ns delay control, depend on strapping | RW POS |
| 7 | RESERVED | 0 | Reserved | RO |
| 6 | EN_LDO | 1 | rgmii ldo enable, default is 0 and will be set to 1 after power strapping is done | RW |
| 5:4 | CFG_LDO | 0x0 | Rgmii ldo voltage and RGMII/MDC/MDIO PAD's level shifter control. Depends on strapping. 11: 1.8v 10: 1.8v 01: 2.5v 00: 3.3v | RW |
| 3:0 | RESV | 0x0 | Reserved | RO |

**4.3.2 RGMII_CON (RGMII Control Register, Address: Register 0xA003)**

Table59. RGMII_CON

| Bit | Name | Default | Description | Access |
|-------|-----------------|---------|--|--------|
| 15 | RESV | 0 | Reserved | RW |
| 14 | TX_CLK_SEL | 0 | 1: use inverted RGMII TX_CLK to drive the RGMII TX_CLK delay train.Used for debug 0: use original RGMII TX_CLK to drive the RGMII TX_CLK delay train; | RW |
| 13:10 | RX_DELAY_SEL | 0x0 | RGMII RX_CLK delay train configuration,about 150ps per step | RW |
| 9 | EN_RGMII_FD_CRS | 0 | See EXT 0xA003 bit[8]. | RW |
| 8 | EN_RGMII_CR_S | 0 | 0: to not encode GMII/MII CRS into RGMII OOB; 1: to encode GMII/MII CRS into RGMII OOB when it's half duplex mode or EXT 0xA003 bit[9] is 1. | RW |
| 7:4 | TX_DELAY_SEL_FE | 0xF | RGMII TX_CLK delay train configuration when speed is 100Mbps or 10Mbps, it's 150ps per step typically. | RW |
| 3:0 | TX_DELAY_SEL | 0x1 | RGMII TX_CLK delay train configuration when speed is 1000Mbps, it's150ps per step typically. | RW |

4.3.3 RGMII_STA (RGMII Status Register, Address: Register 0xA004)

Table60. RGMII_STA

| Bit | Name | Default | Description | Access |
|-------|----------------------|---------|---|--------|
| 15:14 | SPEED_RGPHY | 0x0 | RGMII's speed information when it works as RGMII PHY. It's also the source of RGMII OOB. | RO |
| 13 | DUPLEX_RGPHY | 0 | RGMII's duplex information when it works as RGMII PHY. It's also the source of RGMII OOB. | RO |
| 12 | LINK_UP_RGPHY | 0 | RGMII's linkup information when it works as RGMII PHY. It's also the source of RGMII OOB. | RO |
| 11:10 | PAUSE_RGPHY | 0x0 | RGMII's pause information when it works as RGMII PHY. | RO |
| 9 | EEE_CAP_RGPHY | 0 | RGMII's EEE capability information when it works as RGMII PHY. | RO |
| 8 | EEE_CLKSTP_CAP_RGPHY | 0 | RGMII's EEE clock stopable capability information when it works as RGMII PHY. | RO |
| 7:0 | RESV | 0x0 | Reserved | RO |

4.3.4 SMI_RGMII_CON (SMI & RGMII Control Register, Address: Register 0xA005)

Table61. SMI_RGMII_CON

| Bit | Name | Default | Description | Access |
|-----|------|---------|-------------|--------|
|-----|------|---------|-------------|--------|



| | | | | |
|-------|--------------------------|-----|---|----|
| 15:11 | RESV | 0x0 | Reserved | RO |
| 10 | BYPASS_MDI O_WATCHDOG | 0 | bypass mdio watch dog | RW |
| 9:8 | RESERVED | 0x0 | Reserved | RO |
| 7 | EN_MDC_LA | 0x1 | enable mdc latch for read data | RW |
| 6 | EN_PHYADDR 0 | 1 | 1: to always respond to MDIO command whose PHYAD field is 0; 0: to only respond to MDIO command whose PHYAD field equals to PHY address strapping. | RW |
| 5 | EN_BDCST_A DDR | 0 | enable broadcast address | RW |
| 4:0 | BDCST_ADDR | 0x0 | broadcast address | RW |

4.3.5 MISC_CON (MISC Control Register, Address: Register 0xA006)

Table62. MISC_CON

| Bit | Name | Default | Description | Access |
|------|------------------------|---------|--|--------|
| 15:8 | RESV | 0x0 | Reserved | RW |
| 7 | JUMBO_ENABLE | 0 | enable jumbo frame | RW |
| 6 | RESERVED | 0 | Reserved | RW |
| 5 | REMOTE_LOOPBACK | 0 | set remote loopback for UTP | RW |
| 4 | ULDATA_REMOTE_LOOPBACK | 0 | 1=remain upload data when remote loopback is set for phy | RW |
| 3 | BP_GMII_FATAL_RST | 1 | bypass gmii fifo overflow and underflow rst | RW |
| 2:0 | RESV | 0x5 | Reserved | RW |

4.3.6 WOL_MAC_ADDH(WOL MAC Highest Address Register, Address: Register 0xA007)

Table63. WOL_MAC_ADDH

| Bit | Name | Default | Description | Access |
|------|-------------------|---------|---|--------|
| 15:0 | WOL_MAC_ADDRESS_H | 0x0 | highest 16 bits of MAC address used for WOL 47:32 | RW |

4.3.7 WOL_MAC_ADDM(WOL MAC Middle Address Register, Address: Register 0xA008)

Table64. WOL_MAC_ADDM

| Bit | Name | Default | Description | Access |
|------|-------------------|---------|--|--------|
| 15:0 | WOL_MAC_ADDRESS_M | 0x0 | Middle 16 bits of MAC address used for WOL 31:16 | RW |



| | | | | |
|--|-------|--|--|--|
| | DDR_M | | | |
|--|-------|--|--|--|

4.3.8 WOL_MAC_ADDL(WOL MAC Lowest Address Register, Address: Register 0xA009)

Table65. WOL_MAC_ADDL

| Bit | Name | Default | Description | Access |
|------|--------------------|---------|--|--------|
| 15:0 | WOL_MAC_A DDR_L | 0x0 | Lowest 16 bits of MAC address used for WOL 31:16 | RW |

4.3.9 WOL_CON (WOL Control Register, Address: Register 0xA00A)

Table66. WOL_CON

| Bit | Name | Default | Description | Access |
|------|--------------------|---------|--|--------|
| 15:8 | RESV | 0x0 | Reserved | RO |
| 7 | SW_CLOSE_R GMII | 0 | 1.disable rgmii interface 0.enable rgmii interface | RW |
| 6 | nPME_nINT_S EL | 0 | 1: Pin 31 functions as nPME. 0: Pin 31 functions as nINT. | RW |
| 5:4 | RESV | 0x0 | Reserved | RW |
| 3 | WOL_EN | 0 | enable WOL. | RW |
| 2:1 | WOL_LTH_SE L | 0x1 | 11: 672ms 10: 336ms 01: 168ms 00: 84ms | RW |
| 0 | WOL_INT_TY PE | 0x0 | 1: nPME is level triggerd and active LOW; When nPME is LOW, EXT 0xA00A bit3, wol_en should be set to 0 to clear the nPME. 0: nPME is pulse triggered and active LOW, the purple width is controlled by wol_lth_sel[1:0]. | RW |

4.3.10 LED_COMCON (LED Common Control Register, Address: Register 0xA00B)

Table67. LED_COMCON

| Bit | Name | Default | Description | Access |
|-----|-----------------|---------|--|--------|
| 15 | COL_BLK_SE L | 1 | 1 = when collision happens, and related LEDn cfg (n is 0/1/2) register's bit3 led_col_blk_en is 1, LED blink at Blink Mode2; 0 = when collision happens, and related LEDn cfg (n is 0/1/2) register's bit3 led_col_blk_en is 0, LED blink at Blink Mode1. LED could blinks at different frequency in Blink Mode1 and Blink Mode2. Refer to EXT A00F[3:0] for the Blink Mode2 and | RW |



| | | | | |
|------|------------------|-----|---|----|
| | | | Blink Mode1. | |
| 14 | JABBER_LED_DIS | 1 | 1 = when 10Mb/s Jabber happens, LED will not blink; | RW |
| 13 | LPBK_LED_DIS | 1 | 1 = In internal loopback mode, LED will not blink; | RW |
| 12 | DIS_LED_AN_TRY | 0 | 1: LED will be ON when auto-negotiation is at LINK_GOOD_CHECK status, in which status, the link is not up already. | RW |
| 11:9 | RESV | 0x0 | Reserved | RO |
| 8 | LED_2_FORCE_EN | 0 | 1 = enable LED2 force mode. | RW |
| 7:6 | LED_2_FORCE_MODE | 0x0 | Valid when bit8 is set. 11: force LED Blink at Blink Mode1 10: force LED Blink at Blink Mode2 01: force LED ON 00: force LED OFF LED could blinks at different frequency in Blink Mode1 and Blink Mode2. Refer to EXT A00F[3:0] for the Blink Mode2 and Blink Mode1. | RW |
| 5 | LED_1_FORCE_EN | 0 | 1 = enable LED1 force mode. | RW |
| 4:3 | LED_1_FORCE_MODE | 0x0 | Valid when bit5 is set. Refer EXT A00B[7:6] for the force mode description. | RW |
| 2 | LED_0_FORCE_EN | 0 | 1 = enable LED0 force mode. | RW |
| 1:0 | LED_0_FORCE_MODE | 0x0 | Valid when bit2 is set. Refer EXT A00B[7:6] for the force mode description. | RW |

4.3.11 LED0_CON (LED0 Control Register, Address: Register 0xA00C)

Table68. LED0_CON

| Bit | Name | Default | Description | Access |
|-------|---------------------|---------|---|--------|
| 15:14 | RSVD | 0x0 | Reserved | RW |
| 13 | LED_ACT_BLINK_IND_0 | 0 | When traffic is present, make LED0 BLINK no matter the previous LED0 status is ON or OFF, or make LED0 blink only when the previous LED0 is ON. | RW |
| 12 | LED_FDX_ON_EN_0 | 0 | 1: If BLINK status is not activated, when PHY link up and duplex mode is full duplex, LED0 will be ON. | RW |
| 11 | LED_HDX_ON_EN_0 | 0 | 1: If BLINK status is not activated, when PHY link up and duplex mode is half duplex, LED0 will be ON. | RW |



| | | | | |
|----|--------------------|---|---|----|
| 10 | LED_TXACT_BLK_EN_0 | 1 | 1: If bit[13] is 1, or bit[13] is 0 and ON at certain speed or duplex more is/are activated, when PHY link up and TX is active, make LED0 blink at mode2. | RW |
| 9 | LED_RXACT_BLK_EN_0 | 1 | 1: If bit[13] is 1, or bit[13] is 0 and ON at certain speed or duplex more is/are activated, when PHY link up and RX is active, make LED0 blink at mode2. | RW |
| 8 | LED_TXACT_ON_EN_0 | 0 | 1: if BLINK status is not activated, when PHY link up and TX is active, make LED0 ON at least 10ms. | RW |
| 7 | LED_RXACT_ON_EN_0 | 0 | 1: if BLINK status is not activated, when PHY link up and RX is active, make LED0 ON at least 10ms. | RW |
| 6 | LED_GT_ON_EN_0 | 0 | 1: if BLINK status is not activated, when PHY link up and speed mode is 1000Mbps, make LED0 ON. | RW |
| 5 | LED_HT_ON_EN_0 | 0 | 1: if BLINK status is not activated, when PHY link up and speed mode is 100Mbps, make LED0 ON; | RW |
| 4 | LED_BT_ON_EN_0 | 1 | 1: if BLINK status is not activated, when PHY link up and speed mode is 10Mbps, make LED0 ON; | RW |
| 3 | LED_COL_BLK_EN_0 | 0 | 1: if PHY link up and collision happen, make LED0 BLINK; | RW |
| 2 | LED_GT_BLK_EN_0 | 0 | 1: if PHY link up and speed mode is 1000Mbps, make LED0 BLINK; | RW |
| 1 | LED_HT_BLK_EN_0 | 0 | 1: if PHY link up and speed mode is 100Mbps, make LED0 BLINK; | RW |
| 0 | LED_BT_BLK_EN_0 | 0 | 1: if PHY link up and speed mode is 10Mbps, make LED0 BLINK; | RW |

4.3.12 LED1_CON (LED1 Control Register, Address: Register 0xA00D)

Table69. LED1_CON

| Bit | Name | Default | Description | Access |
|-------|--------------------|---------|---|--------|
| 15:14 | RSVD | 0x0 | Reserved | RW |
| 13 | LED_ACT_BLK_IND_1 | 0 | When traffic is present, make LED1 BLINK no matter the previous LED1 status is ON or OFF, or make LED1 blink only when the previous LED1 is ON. | RW |
| 12 | LED_FDX_ON_EN_1 | 0 | 1: If BLINK status is not activated, when PHY link up and duplex mode is full duplex, LED1 will be ON. | RW |
| 11 | LED_HDX_ON_EN_1 | 0 | 1: If BLINK status is not activated, when PHY link up and duplex mode is half duplex, LED1 will be ON. | RW |
| 10 | LED_TXACT_BLK_EN_1 | 1 | 1: If bit[13] is 1, or bit[13] is 0 and ON at certain speed or duplex more is/are activated, when PHY link up and TX is active, make LED1 blink at mode2. | RW |



| | | | | |
|---|--------------------|---|---|----|
| 9 | LED_RXACT_BLK_EN_1 | 1 | 1: If bit[13] is 1, or bit[13] is 0 and ON at certain speed or duplex more is/are activated, when PHY link up and RX is active, make LED1 blink at mode2. | RW |
| 8 | LED_TXACT_ON_EN_1 | 0 | 1: if BLINK status is not activated, when PHY link up and TX is active, make LED1 ON at least 10ms. | RW |
| 7 | LED_RXACT_ON_EN_1 | 0 | 1: if BLINK status is not activated, when PHY link up and RX is active, make LED1 ON at least 10ms. | RW |
| 6 | LED_GT_ON_EN_1 | 0 | 1: if BLINK status is not activated, when PHY link up and speed mode is 1000Mbps, make LED1 ON. | RW |
| 5 | LED_HT_ON_EN_1 | 0 | 1: if BLINK status is not activated, when PHY link up and speed mode is 100Mbps, make LED1 ON; | RW |
| 4 | LED_BT_ON_EN_1 | 1 | 1: if BLINK status is not activated, when PHY link up and speed mode is 10Mbps, make LED1 ON; | RW |
| 3 | LED_COL_BLK_EN_1 | 0 | 1: if PHY link up and collision happen, make LED1 BLINK; | RW |
| 2 | LED_GT_BLK_EN_1 | 0 | 1: if PHY link up and speed mode is 1000Mbps, make LED1 BLINK; | RW |
| 1 | LED_HT_BLK_EN_1 | 0 | 1: if PHY link up and speed mode is 100Mbps, make LED1 BLINK; | RW |
| 0 | LED_BT_BLK_EN_1 | 0 | 1: if PHY link up and speed mode is 10Mbps, make LED1 BLINK; | RW |

4.3.13 LED2_CON (LED2 Control Register, Address: Register 0xA00E)

Table70. LED2_CON

| Bit | Name | Default | Description | Access |
|-------|--------------------|---------|---|--------|
| 15:14 | RSVD | 0x0 | Reserved | RW |
| 13 | LED_ACT_BLK_IND_2 | 0 | When traffic is present, make LED2 BLINK no matter the previous LED2 status is ON or OFF, or make LED2 blink only when the previous LED2 is ON. | RW |
| 12 | LED_FDX_ON_EN_2 | 0 | 1: If BLINK status is not activated, when PHY link up and duplex mode is full duplex, LED2 will be ON. | RW |
| 11 | LED_HDX_ON_EN_2 | 0 | 1: If BLINK status is not activated, when PHY link up and duplex mode is half duplex, LED2 will be ON. | RW |
| 10 | LED_TXACT_BLK_EN_2 | 1 | 1: If bit[13] is 1, or bit[13] is 0 and ON at certain speed or duplex more is/are activated, when PHY link up and TX is active, make LED2 blink at mode2. | RW |
| 9 | LED_RXACT_BLK_EN_2 | 1 | 1: If bit[13] is 1, or bit[13] is 0 and ON at certain speed or duplex more is/are activated, when PHY link up and RX is active, make LED2 blink at mode2. | RW |
| 8 | LED_TXACT_ | 0 | 1: if BLINK status is not activated, when PHY link up and TX is | RW |



| | | | | |
|---|--------------------|---|---|----|
| | ON_EN_2 | | active, make LED2 ON at least 10ms. | |
| 7 | LED_RXACT_ON_EN_2 | 0 | 1: if BLINK status is not activated, when PHY link up and RX is active, make LED2 ON at least 10ms. | RW |
| 6 | LED_GT_ON_EN_2 | 0 | 1: if BLINK status is not activated, when PHY link up and speed mode is 1000Mbps, make LED2 ON. | RW |
| 5 | LED_HT_ON_EN_2 | 0 | 1: if BLINK status is not activated, when PHY link up and speed mode is 100Mbps, make LED2 ON; | RW |
| 4 | LED_BT_ON_EN_2 | 1 | 1: if BLINK status is not activated, when PHY link up and speed mode is 10Mbps, make LED2 ON; | RW |
| 3 | LED_COL_BLINK_EN_2 | 0 | 1: if PHY link up and collision happen, make LED2 BLINK; | RW |
| 2 | LED_GT_BLK_EN_2 | 0 | 1: if PHY link up and speed mode is 1000Mbps, make LED2 BLINK; | RW |
| 1 | LED_HT_BLK_EN_2 | 0 | 1: if PHY link up and speed mode is 100Mbps, make LED2 BLINK; | RW |
| 0 | LED_BT_BLK_EN_2 | 0 | 1: if PHY link up and speed mode is 10Mbps, make LED2 BLINK; | RW |

4.3.14 LED_BLCON (LED Blink Control Register, Address: Register 0xA00F)

Table71. LED_BLCON

| Bit | Name | Default | Description | Access |
|------|------------|---------|---|--------|
| 15:7 | RSVD | 0x0 | Reserved | RO |
| 6:4 | LED_DUTY | 0x0 | Select duty cycle of Blink: 000: 50% ON and 50% OFF; 001: 67% ON and 33% OFF; 010: 75% ON and 25% OFF; 011: 83% ON and 17% OFF; 100: 50% ON and 50% OFF; 101: 33% ON and 67% OFF; 110: 25% ON and 75% OFF; 111: 17% ON and 83% OFF. | RW |
| 3:2 | FREQ_SEL_2 | 0x1 | Select frequency of Blink Mode2: 00: 2Hz; 01: 4Hz; 10: 8Hz; 11: 16Hz. | RW |
| 1:0 | FREQ_SEL_1 | 0x2 | Select frequency of Blink Mode1: 00: 2Hz; 01: 4Hz; 10: 8Hz; | RW |



| | | | | |
|--|--|--|-----------|--|
| | | | 11: 16Hz. | |
|--|--|--|-----------|--|

4.3.15 DRV_STR (Driver Strength Control Register, Address: Register 0xA010)

Table72. DRV_STR

| Bit | Name | Default | Description | Access |
|-------|----------------------|---------|---|-----------|
| 15:13 | RGMII_SW_D R_RX | 0x3 | Drive strenght of rx_clk pad. 3'b111: strongest; 3'b000: weakest. | RW |
| 12 | RGMII_SW_D R[2] | 0 | Bit 2 of Rgmii_sw_dr[2:0], refer to ext A010 [5:4] | RW |
| 11 | INT_OD_EN | 1 | 1'b1: Interrupt pin acts as a open drain pad 1'b0: Interrupt pin acts as a normal output pad | RW |
| 10 | INT_ACT_HI | 0 | 1'b1: Interrupt acts as high active 1'b0: interrupt acts as low active | RW |
| 9:8 | DR_SYNC_E | 0x3 | Drive strenght of SyncE pad. 2'b11: strongest; 2'b00: weakest | RW |
| 7:6 | DR_MDIO | 0x3 | Drive strenght of mdio pad. 2'b11: strongest; 2'b00: weakest | RW |
| 5:4 | RGMII_SW_D R[1:0] | 0x3 | Bit 1 and 0 of Rgmii_sw_dr, Drive strenght of rxd/rx_ctl rgmii pad. 3'b111: strongest; 3'b000: weakest | RW POS |
| 3:2 | DR_INT_IO | 0x3 | Drive strenght of interrupt pad. 2'b11: strongest; 2'b00: weakest | RW |
| 1:0 | DR_LED | 0x3 | Drive strenght of led pad. 2'b11: strongest; 2'b00: weakest | RW |

4.3.16 SyncE_CON (SyncE Control Register, Address: Register 0xA012)

Table73. SyncE_CON

| Bit | Name | Default | Description | Access |
|------|--------------------------------|---------|---|--------|
| 15:8 | RSVD | 0x0 | Reserved | RO |
| 7 | RSVD | 1 | Reserved | RW |
| 6 | EN_SYNC_E | 1 | enable SyncE clock output | RW |
| 5 | EN_SYNC_E_ DURING_LNK DN | 0 | always output sync e clock even when link is down | RW |
| 4 | CLK_FRE_SEL | 0 | 1'b1: output 125m clock; 1'b0: output 25m clock. It can control the output clock of internal 125M PLL and UTP recovered clock (CLK_SRC_SEL=0x0 or 0x1). | RW |



| | | | | |
|-----|-------------|-----|--|----|
| 3:1 | CLK_SRC_SEL | 0x4 | <p>select clock source of output clock.</p> <p>3'b000: internal 125MHz PLL output clock</p> <p>3'b001: UTP recovered RX clock</p> <p>3'b010: Reserved.</p> <p>3'b011: clock from digital (RGMII TX delayed clock, or debug clock out)</p> <p>3'b100: reference 25MHz clock (default)</p> <p>3'b101: 25MHz SSC.</p> | RW |
| 0 | RSVD | 0 | Reserved | RO |

4.4 MMD Extended Register

MMD Register Mapping and Definition,

| Item | Address | | Function | |
|------|---------|--------|---------------|--|
| | MMD | Offset | Register Name | Description |
| 1 | 3 | 0x00 | PCS_CON | PCS Control Register |
| 2 | 3 | 0x01 | PCS_STA | PCS status |
| 3 | 3 | 0x14 | EEE_CON | EEE Contrl Register |
| 4 | 3 | 0x16 | EEE_WERR | EEE Wake Error Register |
| 5 | 7 | 0x3C | EEE_LA | EEE Local Ability Advertisement Register |
| 6 | 7 | 0x3D | EEE_PA | EEE Link Partner Ability Register |

4.4.1 PCS_CON (PCS Control Register, Address: MMD3 Register 0x00)

Table74. PCS_CON

| Bit | Name | Default | Description | Access |
|-------|------------------|---------|--|--------|
| 15 | PCS_RST | 0 | Setting this bit will set all PCS registers to their default states. This action also initiate a software reset as setting MII 0x0 bit15 and a reset as setting MMD1 0x0 bit15 and MMD7 0x0 bit15. | RW SC |
| 14:11 | RSVD | 0x0 | Reserved | RO |
| 10 | CLOCK_STOP PABLE | 0 | Not used. | RW SWC |
| 9:0 | RESERVED | 0x0 | Reserved | RO |

4.4.2 PCS_STA (PCS Status Register, Address: MMD3 Register 0x01)

Table75. PCS_STA

| Bit | Name | Default | Description | Access |
|-------|------|---------|-------------|--------|
| 15:12 | RSVD | 0x0 | Reserved | RO |



| | | | | |
|-----|--------------|-----|---|-----------|
| 11 | TX LPI_RC | 0 | TX LPI Received 1: TX PCS has received LPI 0: LPI not received | RO, LH |
| 10 | RX LPI_RC | 0 | RX LPI Received 1: RX PCS has received LPI 0: LPI not received | RO, LH |
| 9 | TX LPI_IND | 0 | TX LPI Indication 1: TX PCS is currently receiving LPI 0: TX PCS is not currently receiving LPI | RO |
| 8 | RX LPI_IND | 0 | RX LPI Indication 1: RX PCS is currently receiving LPI 0: RX PCS is not currently receiving LPI | RO |
| 7:3 | RSVD | 0x0 | Reserved | RO |
| 2 | PCSRX_LNK_ST | 0 | PCS status, latch low. | RO LL |
| 1:0 | RSVD | 0x0 | Reserved | RO |

4.4.3 EEE_CON (EEE Control Register, Address: MMD3 Register 0x14)

Table76. EEE_CON

| Bit | Name | Default | Description | Access |
|------|-------------------|---------|---|--------|
| 15:3 | RSVD | 0x0 | Reserved | RO |
| 2 | 1000BASE-T EEE | 1 | Always 1. EEE is supported for 1000BASE-T | RO |
| 1 | 100BASE-TX EEE | 1 | Always 1. EEE is supported for 100BASE-TX | RO |
| 0 | RSVD | 0 | Reserved | RO |

4.4.4 EEE_WERR (EEE Wake Error Register, Address: MMD3 Register 0x16)

Table77. EEE_WERR

| Bit | Name | Default | Description | Access |
|------|-------------|---------|---|--------|
| 15:0 | Wake_ERR_CN | 0x0 | Count wake time faults where the PHY fails to complete its normal wake sequence within the time required for the specific PHY type. | RO |

4.4.5 EEE_LA (EEE Local Ability Register, Address: MMD7 Register 0x3C)

Table78. EEE_LA



| Bit | Name | Default | Description | Access |
|-------|---------------------|---------|--|--------|
| 15:03 | RSVD | 0x0 | Reserved | RO |
| 2 | L_1000Base-T EEE | 1 | 1: supported: 1000Base-T EEE 0: not supported: 1000Base-T EEE | RW |
| 1 | L_100Base-TX EEE | 1 | 1: supported: 100Base-TX EEE 0: not supported: 100Base-TX EEE | RW |
| 0 | RSVD | 0 | Reserved | RO |

4.4.6 EEE_PA (EEE Partner Ability Register, Address: MMD7 Register 0x3D)

Table79. EEE_PA

| Bit | Name | Default | Description | Access |
|-------|----------------------|---------|--|--------|
| 15:03 | RSVD | 0x0 | Reserved | RO |
| 2 | LP 1000Base-T EEE | 0 | Link Partner of 1000Base-T EEE Capability. 1: Link Partner is capable of 1000Base-T EEE 0: Link Partner is not capable of 1000Base-T EEE | RO |
| 1 | LP 100Base-TX EEE | 0 | Link Partner of 100Base-TX EEE Capability. 1: Link Partner is capable of 100Base-TX EEE 0: Link Partner is not capable of 100Base-TX EEE | RO |
| 0 | RSVD | 0 | Reserved | RO |

FOR ARROW



5 Environment

Table80. **Environment**

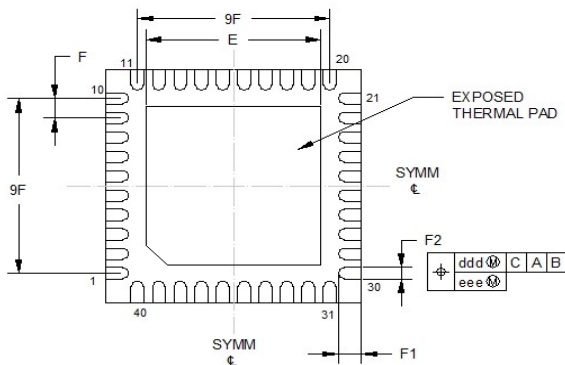
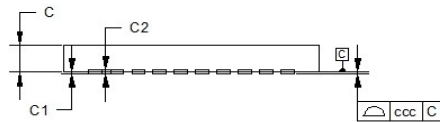
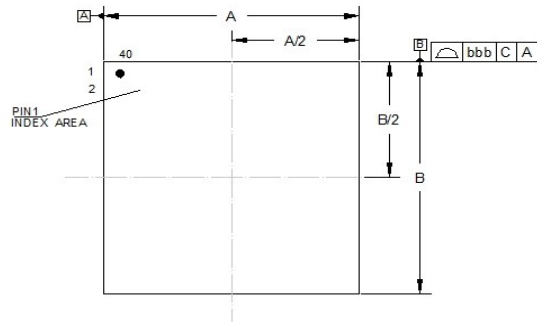
| Attribute | Value |
|----------------------|---------|
| Moisture Sensitivity | Level 3 |
| RoHS | RoHS2.0 |

FOR ARROW



6 Dimensions

6.1 QFN40 Dimensions



| Dimension | Min. | Typ. | Max. |
|-----------|---------|------|------|
| A | 4.90 | 5.00 | 5.10 |
| B | 4.90 | 5.00 | 5.10 |
| C | 0.80 | 0.85 | 0.90 |
| C1 | -- | 0.02 | 0.05 |
| C2 | | 0.20 | |
| E | 3.50 | 3.70 | 3.90 |
| F | 0.40BSC | | |
| F1 | 0.3 | 0.40 | 0.5 |
| F2 | 0.15 | 0.20 | 0.25 |

(Unit: mm)

Figure 6. QFN-40 Dimension