



To Customer: \_\_\_\_\_

# Realtime Clock Module

**INS5T8900**

## Datasheet

Document Version 1.0

Released on October 18th, 2023

### Ordering Information

| Manufacture Part Number | Product Name | Description  |
|-------------------------|--------------|--|
| INS5T8900-2DEY000Y00SA  | INS5T8900    | SMD3225, $\pm 5\text{ppm}$ @ $-40^\circ\text{C}$<br>$\sim +85^\circ\text{C}$   |
| INS5T8900-2DEX000Y00SA  | INS5T8900    | SMD3225, $\pm 3.4\text{ppm}$ @ $-40^\circ\text{C}$<br>$\sim +85^\circ\text{C}$ |
|                         |              |  |

## Guangdong Dapu Telecom Technology Co., Ltd

Bldg 5, SSL Modern Enterprise Accelerator Zone, Dongguan City, Guangdong Province, PRC China

[TEL:0086-0769-88010888](tel:0086-0769-88010888)

FAX:0086-0769-81800098



### Revision History

| Version | Change Contents | Prepared by | Revised Date |
|---------|-----------------|-------------|--------------|
| V1.0    | First Issued    |             | 2023.10.18   |
|         |                 |             |              |
|         |                 |             |              |
|         |                 |             |              |

DAPU Confidential  
FOR 大普技术



# Index

|          |   |           |
|----------|---|-----------|
| <b>1</b> | <b>OVERVIEW</b> .....                           | <b>5</b>  |
| <b>2</b> | <b>BLOCK DIAGRAM</b> .....                      | <b>5</b>  |
| <b>3</b> | <b>FEATURES</b> .....                           | <b>5</b>  |
| <b>4</b> | <b>PIN DEFINITION</b> .....                     | <b>6</b>  |
| <b>5</b> | <b>ELECTRICAL CHARACTERISTICS</b> .....         | <b>7</b>  |
| 5.1      | ABSOLUTE MAXIMUM RATINGS .....                  | 7         |
| 5.2      | RECOMMENDED OPERATING CONDITIONS.....           | 7         |
| 5.3      | FREQUENCY CHARACTERISTICS .....                 | 7         |
| 5.4      | DC CHARACTERISTICS .....                        | 8         |
| 5.5      | AC CHARACTERISTICS.....                         | 9         |
| <b>6</b> | <b>REGISTERS</b> .....                          | <b>10</b> |
| 6.1      | REGISTER LISTS .....                            | 10        |
| 6.2      | DETAILS OF REGISTERS.....                       | 12        |
| 6.2.1    | <i>Clock counter registers</i> .....            | 12        |
| 6.2.2    | <i>Alarm registers</i> .....                    | 13        |
| 6.2.3    | <i>Timer control registers</i> .....            | 13        |
| 6.2.4    | <i>Extension registers</i> .....                | 14        |
| 6.2.5    | <i>Flag registers</i> .....                     | 14        |
| 6.2.6    | <i>Control registers</i> .....                  | 15        |
| 6.2.7    | <i>Temperature register</i> .....               | 15        |
| 6.2.8    | <i>Battery Backup switchover register</i> ..... | 15        |
| 6.2.9    | <i>Device ID register</i> .....                 | 16        |
| 6.2.10   | <i>Control Register 1</i> .....                 | 16        |
| 6.2.11   | <i>Sub-second timer register</i> .....          | 16        |
| <b>7</b> | <b>I<sup>2</sup>C BUS INTERFACE</b> .....       | <b>17</b> |
| 7.1      | CAUTIONS.....                                   | 17        |
| 7.2      | SLAVE ADDRESS .....                             | 17        |
| 7.3      | I <sup>2</sup> C BUS PROTOCOL .....             | 17        |



7.3.1 Write process .....17

7.3.2 Read process ..... 18

8 REFLOW SOLDERING CURVE ..... 19

9 DIMENSIONS ..... 20

10 PACKAGE ..... 21

DAPU Confidential  
FOR 大普技术

# 1 Overview

INS5T8900 is a high-accuracy I<sup>2</sup>C bus interface real-time clock with low power consumption. It embeds a 32.768KHz TCXO. The high precise temperature sensor and temperature compensated circuit ensure the high clock accuracy. It supports calendar (year, month, day, hour, minute, second), clock and timer functions etc. The SMD3225 package with only 1.0mm thickness makes it very suitable to be used in portable and small size electronic devices.

# 2 Block Diagram

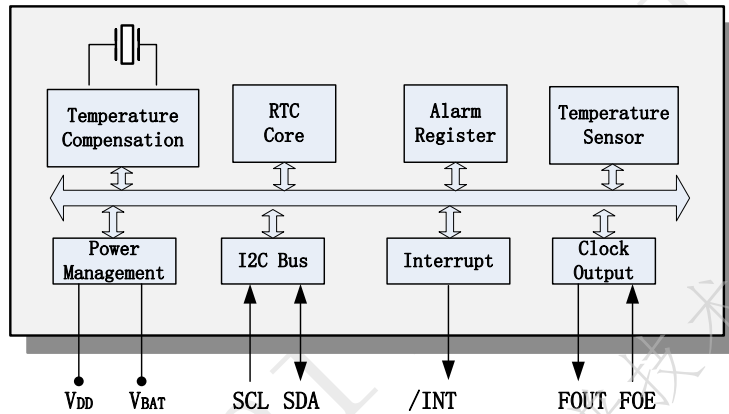


Figure 1. Block Diagram

# 3 Features

- Low current consumption: 1.0uA (Typ.)
- Package: 3.2mm × 2.5mm × 1.0mm
- Communication Interface: I2C bus
- Build-in TCXO: 32.768KHz
- Build-in temperature sensor
- High stability:
  - 2DEY000Y00SA: ±5ppm @ -40°C ~ +85°C
  - 2DEX000Y00SA: ±3.4ppm @ -40°C ~ +85°C
- Power Supply Voltage: 1.6V ~ 5.5V
- Operation Temperature Range: -40°C ~ +85°C
- Leap years autocorrection
- Backup battery switchover function
- Timer output function with adjustable period



## 4 Pin definition

- |                     |  |          |
|---------------------|--|----------|
| 1. FOE              |  | 10. /INT |
| 2. V <sub>DD</sub>  |  | 9. GND   |
| 3. V <sub>BAT</sub> |  | 8. T2    |
| 4. FOUT             |  | 7. SDA   |
| 5. SCL              |  | 6. T1    |

**Table1. Pin Definition**

| Pin Number | Pin Name         | I/O    | Description  |
|------------|------------------|--------|--|
| 1          | FOE              | In     | FOUT output control pin. "1" - enable FOUT, "0"- FOUT Hi-Z   |
| 2          | V <sub>DD</sub>  | -      | Power supply   |
| 3          | V <sub>BAT</sub> | -      | Backup battery pin. Connect to large-capacity capacitors or a backup battery. Connect to V <sub>DD</sub> when switchover function is not necessary |
| 4          | FOUT             | Out    | Frequency output. Controlled by FOE. Frequency can be set by FSEL bits.  |
| 5          | SCL              | In     | I <sup>2</sup> C clock signal  |
| 6          | T1               | -      | Manufacturer test only. Ensure to be floating  |
| 7          | SDA              | In/Out | I <sup>2</sup> C data signal   |
| 8          | T2               | -      | Manufacturer test only. Ensure to be floating  |
| 9          | GND              | -      | Ground   |
| 10         | /INT             | Out    | Interrupt Output, Open-Drain; Waveforms can be output in backup mode;  |



## 5 Electrical Characteristics

### 5.1 Absolute Maximum Ratings

**Table2. Absolute Maximum Ratings**

| Parameter              | Symbol            | Value   |      |                      | Unit | Notes               |
|------------------------|-------------------|---------|------|----------------------|------|---------------------|
|                        |                   | Min.    | Typ. | Max.                 |      |                     |
| Power Supply Voltage   | V <sub>DD</sub>   | -0.3    |      | 6.5                  | V    |                     |
| Backup Battery Voltage | V <sub>BAT</sub>  | -0.3    |      | 6.5                  | V    |                     |
| Input Voltage          | V <sub>IN</sub>   | GND-0.3 |      | 6.5                  | V    | FOE, SCL, SDA input |
| Clock Output Voltage   | V <sub>OUT1</sub> | GND-0.3 |      | V <sub>DD</sub> +0.3 | V    | FOUT output         |
| Output Voltage         | V <sub>OUT2</sub> | GND-0.3 |      | 6.5                  | V    | SDA, /INT output    |
| Storage temperature    | T <sub>STG</sub>  | -55     |      | 125                  | °C   |                     |

### 5.2 Recommended Operating Conditions

**Table3. Recommended Operating Conditions**

| Parameter  | Symbol           | Value |      |      | Unit | Notes                     |
|--|------------------|-------|------|------|------|---------------------------|
|  |                  | Min.  | Typ. | Max. |      |                           |
| Power Supply Voltage<br>(normal mode)  | V <sub>DD</sub>  | 2.5   | 3.0  | 5.5  | V    |                           |
| Power Supply Voltage<br>In case of single supply<br>(V <sub>DD</sub> = V <sub>BAT</sub> ) (Note 1) | V <sub>DD</sub>  | 1.6   | 3.0  | 5.5  | V    |                           |
| Backup Battery   | V <sub>BAT</sub> | 1.6   | 3.0  | 5.5  | V    |                           |
| Current consumption  | I <sub>DD</sub>  |       | 1.0  |      | uA   | Using Battery supply only |
| Operation temperature  | T <sub>OPR</sub> | -40   | 25   | 85   | °C   |                           |

Note 1: To apply Min. value of V<sub>DD</sub> and V<sub>BAT</sub>, V<sub>CORE</sub> need to be supplied with more than 2.5V at least for the oscillation to stabilize (oscillation start time t<sub>STA</sub>).

Note2: After powered off, ensure that V<sub>DD</sub> = V<sub>BAT</sub> = GND for more than 10 seconds before next power on

Note3: If there is no special indication, the test conditions are GND = 0V, V<sub>DD</sub> = V<sub>bat</sub> = 2.5V ~ 5.5V, T<sub>a</sub> = - 40 °C ~ + 85 °C

### 5.3 Frequency Characteristics

**Table4. Frequency Characteristics**

| Parameter           | Symbol | Value |      |      | Unit | Notes                          |
|---------------------|--------|-------|------|------|------|--------------------------------|
|                     |        | Min.  | Typ. | Max. |      |                                |
| Frequency stability | Δf/f   | -5    |      | +5   | ppm  | 2DEY000Y00SA:<br>-40°C ~ +85°C |
|                     |        | -3.4  |      | +3.4 | ppm  | 2DEX000Y00SA:                  |



| Parameter                   | Symbol           | Value |      |      | Unit | Notes                 |
|-----------------------------|------------------|-------|------|------|------|-----------------------|
|                             |                  | Min.  | Typ. | Max. |      |                       |
|                             |                  |       |      |      |      | -40°C ~ +85°C         |
| Oscillation start time      | t <sub>STA</sub> |       |      | 1    | s    | @25°C                 |
| Year Aging                  | f <sub>a</sub>   |       |      | ±3   | ppm  | @25°C, First year     |
| Temperature Sensor Accuracy | T <sub>emp</sub> |       |      | ±5   | °C   | V <sub>DD</sub> =3.0V |
| FOUT duty cycle             | t <sub>w/t</sub> | 40    | 50   | 60   | %    |                       |

Note: If there is no special indication, the test conditions are GND = 0V, VDD = Vbat = 2.5V ~ 5.5V, Ta = - 40 °C ~ + 85 °C

## 5.4DC Characteristics

**Table5. DC Characteristics**

| Parameter                    | Symbol           | Value               |      |                     | Unit | Notes   |   |
|------------------------------|------------------|---------------------|------|---------------------|------|---|---|
|                              |                  | Min.                | Typ. | Max.                |      |   |   |
| Average Current consumption1 | I <sub>DD1</sub> |                     | 1.25 | 5.1                 | uA   | V <sub>DD</sub> =5.0V   | f <sub>SCL</sub> =0Hz, FOE=GND, /INT = V <sub>DD</sub> ; V <sub>DD</sub> =V <sub>BAT</sub> ; FOUT off (High-Z);           |
| Average Current consumption2 | I <sub>DD2</sub> |                     | 1.0  | 4.9                 |      | V <sub>DD</sub> =3.0V   | Compensation interval 2s; V <sub>DD</sub> voltage detection time 2ms  |
| Average Current consumption3 | I <sub>DD3</sub> |                     | 5.8  | 20                  | uA   | V <sub>DD</sub> =5.0V   | f <sub>SCL</sub> =0Hz, FOE=V <sub>DD</sub> , /INT = V <sub>DD</sub> ; V <sub>DD</sub> =V <sub>BAT</sub> ; FOUT:32.768kHz, |
| Average Current consumption4 | I <sub>DD4</sub> |                     | 3.8  | 19                  |      | V <sub>DD</sub> =3.0V   | CL=0pF; Compensation interval 2s; V <sub>DD</sub> voltage detection time 2ms  |
| High-level input voltage     | V <sub>IH</sub>  | 0.8*V <sub>DD</sub> |      | 5.5V                | V    | SCL, SDA, FOE pin   |   |
| Low-level input voltage      | V <sub>IL</sub>  | GND-0.3             |      | 0.2*V <sub>DD</sub> | V    |   |   |
| High-level output voltage    | V <sub>OH1</sub> | 4.0                 |      | 5.0                 | V    | V <sub>DD</sub> =5.0V, I <sub>OH</sub> = -1mA                 | FOUT pin  |
|                              | V <sub>OH2</sub> | 2.2                 |      | 3.0                 |      | V <sub>DD</sub> =3.0V, I <sub>OH</sub> = -1mA                 |   |
|                              | V <sub>OH3</sub> | 2.9                 |      | 3.0                 |      | V <sub>DD</sub> =3.0V, I <sub>OH</sub> = -100uA               |   |
| Low-level output voltage     | V <sub>OL1</sub> | GND                 |      | GND+0.5             | V    | V <sub>DD</sub> =5.0V, I <sub>OL</sub> = 1mA                  | FOUT pin  |
|                              | V <sub>OL2</sub> | GND                 |      | GND+0.8             |      | V <sub>DD</sub> =3.0V, I <sub>OL</sub> = 1mA                  |   |
|                              | V <sub>OL3</sub> | GND                 |      | GND+0.1             |      | V <sub>DD</sub> =3.0V, I <sub>OL</sub> = 100uA                |   |
|                              | V <sub>OL4</sub> | GND                 |      | GND+0.25            | V    | V <sub>DD</sub> =5.0V, I <sub>OL</sub> = 1mA                  | /INT pin  |
|                              | V <sub>OL5</sub> | GND                 |      | GND+0.4             |      | V <sub>DD</sub> =3.0V, I <sub>OL</sub> = 1mA                  |   |
|                              | V <sub>OL6</sub> | GND                 |      | GND+0.4             |      | V   |   |
| Input leakage current        | I <sub>LK</sub>  | -0.5                |      | 0.5                 | uA   | FOE, SDA, SCL pin, V <sub>IN</sub> = V <sub>DD</sub> or GND   |   |
| Output leakage current       | I <sub>OZ</sub>  | -0.5                |      | 0.5                 | uA   | FOUT, SDA, /INT pin, V <sub>IN</sub> = V <sub>DD</sub> or GND |   |





Note: If there is no special indication, the test conditions are GND = 0V, VDD = Vbat = 2.5V ~ 5.5V, Ta = - 40 °C ~ + 85 °C

### 5.5 AC Characteristics

**Table6. AC Characteristics**

V<sub>DD</sub>=2.5V ~ 5.5V; Ta=-40°C ~ +85°C

| Parameter  | Symbol              | Value |      |      | Unit |
|--|---------------------|-------|------|------|------|
|  |                     | Min.  | Typ. | Max. |      |
| SCL clock frequency                                      | f <sub>SCL</sub>    |       |      | 400  | kHz  |
| SCL low level time                                       | t <sub>LOW</sub>    | 1.3   |      |      | us   |
| SCL high level time                                      | t <sub>HIGH</sub>   | 0.6   |      |      | us   |
| Start condition setup time                               | t <sub>HD;STA</sub> | 0.6   |      |      | us   |
| Start condition hold time                                | t <sub>SU;STA</sub> | 0.6   |      |      | us   |
| Stop condition setup time                                | t <sub>SU;STO</sub> | 0.6   |      |      | us   |
| Bus idle time between start condition and stop condition | t <sub>RCV</sub>    | 1.3   |      |      | us   |
| Data setup time  | t <sub>SU;DAT</sub> | 100   |      |      | ns   |
| Data hold time   | t <sub>HD;DAT</sub> | 0     |      |      | ns   |
| SCL, SDA rising time                                     | t <sub>r</sub>      |       |      | 0.3  | us   |
| SCL, SDA falling time                                    | t <sub>f</sub>      |       |      | 0.3  | us   |

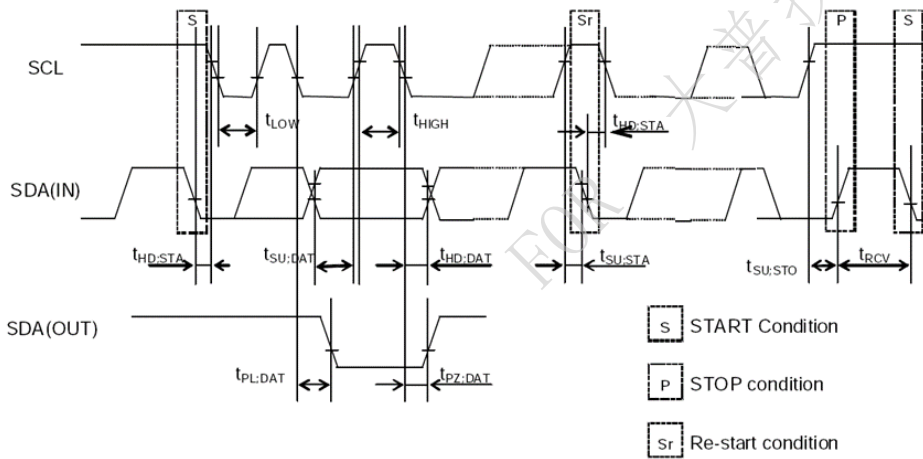


Figure 2. I<sup>2</sup>C bus Timing Chart

Note: when the master equipment accesses the equipment through I2C bus, all communication from sending start condition to sending stop shall be completed within 1 second. If it exceeds 1 second, the I2C bus interface will be reset through the internal bus timeout function.



## 6 Registers

### 6.1 Register Lists

Address 0x00~0x0F: Basic Time and Calendar Registers

Address 0x10~0x1F: Extended Register Group 1

Address 0x20~30: Extended Register Group 2

Note: 0x10~16 and 0x00~06 with the same function, 0x1B~1F and 0x0B~0F with the same function

**Table7. Basic Time and Calendar Registers**

| Address | Function           | bit7                           | bit6                             | bit5                           | bit4                            | bit3                             | bit2     | bit1     | bit0     | R/W |
|---------|--------------------|--------------------------------|----------------------------------|--------------------------------|---------------------------------|----------------------------------|----------|----------|----------|-----|
| 0x00    | SEC                | ○                              | BCD code, Second tens place, 0-5 |                                |                                 | BCD code, Second ones place, 0-9 |          |          |          | R/W |
| 0x01    | MIN                | ○                              | BCD code, Minute tens place, 0-5 |                                |                                 | BCD code, Minute ones place, 0-9 |          |          |          | R/W |
| 0x02    | HOUR               | ○                              | ○                                | BCD code, Hour tens place, 0-2 |                                 | BCD code, Hour ones place, 0-9   |          |          |          | R/W |
| 0x03    | WEEK               | ○                              | 6                                | 5                              | 4                               | 3                                | 2        | 1        | 0        | R/W |
| 0x04    | DAY                | ○                              | ○                                | BCD code, Day tens place, 0-3  |                                 | BCD code, Day ones place, 0-9    |          |          |          | R/W |
| 0x05    | MONTH              | ○                              | ○                                | ○                              | BCD code, Month tens place, 0-1 | BCD code, Month ones place, 0-9  |          |          |          | R/W |
| 0x06    | YEAR               | BCD code, Year tens place, 0-9 |                                  |                                |                                 | BCD code, Year ones place, 0-9   |          |          |          | R/W |
| 0x07    | RAM                | ●                              | ●                                | ●                              | ●                               | ●                                | ●        | ●        | ●        | R/W |
| 0x08    | MIN Alarm          | AE                             | BCD code, Minute tens place, 0-5 |                                |                                 | BCD code, Minute ones place, 0-9 |          |          |          | R/W |
| 0x09    | HOUR Alarm         | AE                             | ●                                | BCD code, Hour tens place, 0-2 |                                 | BCD code, Hour ones place, 0-9   |          |          |          | R/W |
| 0x0A    | WEEK Alarm         | AE                             | 6                                | 5                              | 4                               | 3                                | 2        | 1        | 0        | R/W |
|         | DAY Alarm          |                                | ●                                | BCD code, Day tens place, 0-3  |                                 | BCD code, Day ones place, 0-9    |          |          |          | R/W |
| 0x0B    | Timer Counter 0    | 128                            | 64                               | 32                             | 16                              | 8                                | 4        | 2        | 1        | R/W |
| 0x0C    | Timer Counter 1    | ●                              | ●                                | ●                              | ●                               | 2048                             | 1024     | 512      | 256      | R/W |
| 0x0D    | Extension Register | TEST                           | WADA                             | USEL                           | TE                              | FSEL [1]                         | FSEL [0] | TSEL [1] | TSEL [0] | R/W |
| 0x0E    | Flag Register      | ○                              | ○                                | UF                             | TF                              | AF                               | ○        | VLF      | VDET     | R/W |
| 0x0F    | Control Register   | CSEL [1]                       | CSEL [0]                         | UIE                            | TIE                             | AIE                              | ○        | ○        | RESET    | R/W |

**Table8. Extended Register Group 1**

| Address | Function | bit7 | bit6                             | bit5 | bit4 | bit3                             | bit2 | bit1 | bit0 | R/W |
|---------|----------|------|----------------------------------|------|------|----------------------------------|------|------|------|-----|
| 0x10    | SEC      | ○    | BCD code, Second tens place, 0-5 |      |      | BCD code, Second ones place, 0-9 |      |      |      | R/W |
| 0x11    | MIN      | ○    | BCD code, Minute tens place, 0-5 |      |      | BCD code, Minute ones place, 0-9 |      |      |      | R/W |



| Address | Function           | bit7                           | bit6     | bit5                           | bit4                            | bit3                            | bit2     | bit1      | bit0      | R/W |
|---------|--------------------|--------------------------------|----------|--------------------------------|---------------------------------|---------------------------------|----------|-----------|-----------|-----|
| 0x12    | HOUR               | ○                              | ○        | BCD code, Hour tens place, 0-2 |                                 | BCD code, Hour ones place, 0-9  |          |           |           | R/W |
| 0x13    | WEEK               | ○                              | 6        | 5                              | 4                               | 3                               | 2        | 1         | 0         | R/W |
| 0x14    | DAY                | ○                              | ○        | BCD code, Day tens place, 0-3  |                                 | BCD code, Day ones place, 0-9   |          |           |           | R/W |
| 0x15    | MONTH              | ○                              | ○        | ○                              | BCD code, Month tens place, 0-1 | BCD code, Month ones place, 0-9 |          |           |           | R/W |
| 0x16    | YEAR               | BCD code, Year tens place, 0-9 |          |                                |                                 | BCD code, Year ones place, 0-9  |          |           |           | R/W |
| 0x17    | TEMP               | 128                            | 64       | 32                             | 16                              | 8                               | 4        | 2         | 1         | R   |
| 0x18    | Backup Function    | ○                              | ○        | ○                              | ○                               | VDET OFF                        | SWOFF    | BKSMP [1] | BKSMP [0] | R/W |
| 0x19    | Not use            | ○                              | ○        | ○                              | ○                               | ○                               | ○        | ○         | ○         | R   |
| 0x1A    | Not use            | ○                              | ○        | ○                              | ○                               | ○                               | ○        | ○         | ○         | R   |
| 0x1B    | Timer Counter 0    | 128                            | 64       | 32                             | 16                              | 8                               | 4        | 2         | 1         | R/W |
| 0x1C    | Timer Counter 1    | ●                              | ●        | ●                              | ●                               | 2048                            | 1024     | 512       | 256       | R/W |
| 0x1D    | Extension Register | TEST                           | WADA     | USEL                           | TE                              | FSEL [1]                        | FSEL [0] | TSEL [1]  | TSEL [0]  | R/W |
| 0x1E    | Flag Register      | ○                              | ○        | UF                             | TF                              | AF                              | ○        | VLF       | VDET      | R/W |
| 0x1F    | Control Register   | CSEL [1]                       | CSEL [0] | UIE                            | TIE                             | AIE                             | ○        | ○         | RESET     | R/W |

**Table9. Extended Register Group2**

| Address | Function           | bit7                        | bit6 | bit5 | bit4 | bit3        | bit2 | bit1 | bit0   | R/W |
|---------|--------------------|-----------------------------|------|------|------|-------------|------|------|--------|-----|
| 0x20    | Device ID          | Vendor ID[3:0]              |      |      |      | Ver[3:0]    |      |      |        | R   |
| 0x21    | Control Register 1 | Reserved: Ensure to be 0x8  |      |      |      | ○           | ○    | ○    | VBATSW | R/W |
| 0x22-26 | RSV                | Reserved: Ensure to be 0x00 |      |      |      |             |      |      |        | R   |
| 0x27    | SubSEC             | Reserved                    |      |      |      | SubSEC[3:0] |      |      |        | R   |
| 0x28-30 | RSV                | Reserved: Ensure to be 0x00 |      |      |      |             |      |      |        | R/W |

Note:

1, After power-up reset or in case VLF bit returns “1”, make sure to initialize all registers to default state before using the RTC. Ensure all inputs are in the required range and the defined values are set for the reserved bits in case the clock cannot work normally.

- ✓ During the initial power-up, below bits will be in the state as below:

Initial 0: TEST, WADA, USEL, TE, FSEL[1:0], TSEL[0], UF, TF, AF, CSEL[1], UIE, TIE, RESET, VDETOFF, SWOFF, BKSMP[1:0], VBATSW.

Initial 1: VLF, VDET, CSEL[0].

- ✓ All other register values are undefined, so make sure to reset the module before using it.
- ✓ The bits marked with “○” can be read out “0” only after initializing.
- ✓ The bits marked with “●” are RAM bits which can be used to write or read any data.



- ✓ Only 0 can be written to UF, TF, AF, VLF, VDET bits.
- ✓ Make sure “0” to be written for TEST bits which are used for testing only.
- ✓ Reserved bits must be set to the defined values accordingly.

## 6.2 Details of Registers

### 6.2.1 Clock counter registers

| Address | Function | bit7 | bit6                             | bit5                           | bit4 | bit3                             | bit2 | bit1 | bit0 | Default |
|---------|----------|------|----------------------------------|--------------------------------|------|----------------------------------|------|------|------|---------|
| 0x00/10 | SEC      | ○    | BCD code, Second tens place, 0-5 |                                |      | BCD code, Second ones place, 0-9 |      |      |      | 0x00    |
| 0x01/11 | MIN      | ○    | BCD code, Minute tens place, 0-5 |                                |      | BCD code, Minute ones place, 0-9 |      |      |      | 0x00    |
| 0x02/12 | HOUR     | ○    | ○                                | BCD code, Hour tens place, 0-2 |      | BCD code, Hour ones place, 0-9   |      |      |      | 0x00    |

SEC: BCD format, Value: 0~59

MIN: BCD format, Value: 0~59

HOUR: BCD format, Value: 0~23

| Address | Function | bit7 | bit6 | bit5 | bit4 | bit3 | bit2 | bit1 | bit0 | Default |
|---------|----------|------|------|------|------|------|------|------|------|---------|
| 0x03/13 | WEEK     | ○    | 6    | 5    | 4    | 3    | 2    | 1    | 0    | 0x40    |

WEEK: Value 01h, 02h, 04h, 08h, 10h, 20h, 40h. Only one bit can be set to 1 each time, all others must be set to 0.

**Table10. WEEK Register**

| WEEK      | Data | bit7 | bit6 | bit5 | bit4 | bit3 | bit2 | bit1 | bit0 |
|-----------|------|------|------|------|------|------|------|------|------|
| Sunday    | 01h  | 0    | 0    | 0    | 0    | 0    | 0    | 0    | 1    |
| Monday    | 02h  | 0    | 0    | 0    | 0    | 0    | 0    | 1    | 0    |
| Tuesday   | 04h  | 0    | 0    | 0    | 0    | 0    | 1    | 0    | 0    |
| Wednesday | 08h  | 0    | 0    | 0    | 0    | 1    | 0    | 0    | 0    |
| Thursday  | 10h  | 0    | 0    | 0    | 1    | 0    | 0    | 0    | 0    |
| Friday    | 20h  | 0    | 0    | 1    | 0    | 0    | 0    | 0    | 0    |
| Saturday  | 40h  | 0    | 1    | 0    | 0    | 0    | 0    | 0    | 0    |

| Address | Function | bit7 | bit6 | bit5                          | bit4 | bit3                          | bit2 | bit1 | bit0 | Default |
|---------|----------|------|------|-------------------------------|------|-------------------------------|------|------|------|---------|
| 0x04/14 | DAY      | ○    | ○    | BCD code, Day tens place, 0-3 |      | BCD code, Day ones place, 0-9 |      |      |      | 0x01    |

DAY: BCD format, the value range will be adjusted automatically according to the month setting and if a leap year or not .

**Table11. DAY Register Value**

| Month                 | Day Value Range |
|-----------------------|-----------------|
| 1, 3, 5, 7, 8, 10, 12 | 1~31            |
| 4, 6, 9, 11           | 1~30            |



| Month                   | Day Value Range |
|-------------------------|-----------------|
| February in normal year | 1~28            |
| February in leap year   | 1~29            |

| Address | Function | bit7                           | bit6 | bit5 | bit4                            | bit3                            | bit2 | bit1 | bit0 | Default |
|---------|----------|--------------------------------|------|------|---------------------------------|---------------------------------|------|------|------|---------|
| 0x05/15 | MONTH    | ○                              | ○    | ○    | BCD code, Month tens place, 0-1 | BCD code, Month ones place, 0-9 |      |      |      | 0x01    |
| 0x06/16 | YEAR     | BCD code, Year tens place, 0-9 |      |      |                                 | BCD code, Year ones place, 0-9  |      |      |      | 0x00    |

MONTH: BCD format, Value1~12

YEAR: BCD format, Value0~99(2000~2099)

Example: 2020/01/01 Wednesday 21:18:36

| Address | Function | bit7 | bit6 | bit5 | bit4 | bit3 | bit2 | bit1 | bit0 |
|---------|----------|------|------|------|------|------|------|------|------|
| 0x00/10 | SEC      | ○    | 0    | 1    | 1    | 0    | 1    | 1    | 0    |
| 0x01/11 | MIN      | ○    | 0    | 0    | 1    | 1    | 0    | 0    | 0    |
| 0x02/12 | HOUR     | ○    | ○    | 1    | 0    | 0    | 0    | 0    | 1    |
| 0x03/13 | WEEK     | ○    | 0    | 0    | 0    | 1    | 0    | 0    | 0    |
| 0x04/14 | DAY      | ○    | ○    | 0    | 0    | 0    | 0    | 0    | 1    |
| 0x05/15 | MONTH    | ○    | ○    | ○    | 0    | 0    | 0    | 0    | 1    |
| 0x06/16 | YEAR     | 0    | 0    | 1    | 0    | 0    | 0    | 0    | 0    |

## 6.2.2 Alarm registers

| Address | Function   | bit7 | bit6                             | bit5                           | bit4 | bit3                             | bit2 | bit1 | bit0 | Default |
|---------|------------|------|----------------------------------|--------------------------------|------|----------------------------------|------|------|------|---------|
| 0x08    | MIN Alarm  | AE   | BCD code, Minute tens place, 0-5 |                                |      | BCD code, Minute ones place, 0-9 |      |      |      | 0x00    |
| 0x09    | HOUR Alarm | AE   | ●                                | BCD code, Hour tens place, 0-2 |      | BCD code, Minute ones place, 0-9 |      |      |      | 0x00    |
| 0x0A    | WEEK Alarm | AE   | 6                                | 5                              | 4    | 3                                | 2    | 1    | 0    | 0x00    |
|         | DAY Alarm  |      | ●                                | BCD code, Day tens place, 0-3  |      | BCD code, Day ones place, 0-9    |      |      |      |         |

According to AIE, AF, WADA bits setting, the alarm interrupt will be generated once the current time match the settings in the above registers, the /INT pin goes to low level and AF bit is set to '1' to record an alarm interrupt event has occurred.

WEEK Alarm/DAY Alarm: Controlled by WADA bit in 0x0D register

AE: Alarm Enable bit, 0-enable; 1-disenable

AF: Defined in 0x0E register bit3

AIE: Defined in 0x0F register bit3

## 6.2.3 Timer control registers

| Address | Function           | bit7 | bit6 | bit5 | bit4 | bit3 | bit2 | bit1 | bit0 | Default |
|---------|--------------------|------|------|------|------|------|------|------|------|---------|
| 0x0B/1B | Timer Counter<br>0 | 128  | 64   | 32   | 16   | 8    | 4    | 2    | 1    | 0x00    |
| 0x0C/1C | Timer Counter      | ●    | ●    | ●    | ●    | 2048 | 1024 | 512  | 256  | 0x00    |



| Address | Function | bit7 | bit6 | bit5 | bit4 | bit3 | bit2 | bit1 | bit0 | Default |
|---------|----------|------|------|------|------|------|------|------|------|---------|
|         | 1        |      |      |      |      |      |      |      |      |         |

According to TE, TF, TIE, TSEL[1:0] bits setting, a timer interrupt will be generated once the value counts down to 0 from the one set in the above registers.

TE: Defined in 0x0D register bit4

TF: Defined in 0x0E register bit4

TIE: Defined in 0x0F register bit4

TSEL[1:0]: Defined in 0x0D register bit1 and bit0

## 6.2.4 Extension registers

| Address | Function           | bit7 | bit6 | bit5 | bit4 | bit3    | bit2    | bit1    | bit0    | Default |
|---------|--------------------|------|------|------|------|---------|---------|---------|---------|---------|
| 0x0D/1D | Extension Register | TEST | WADA | USEL | TE   | FSEL[1] | FSEL[0] | TSEL[1] | TSEL[0] | 0x02    |

TEST: Test bit, must be set to “0”

WADA: Week Alarm/Day Alarm control bit, decide 0x0A register as DAY Alarm or WEEK Alarm. 0-WEEK alarm, 1-DAY alarm

USEL: Update Interrupt Select bit, 0-output interrupt once a second, 1-output interrupt once a minute

TE: Timer Enable bit, 0-disenable, 1-enable; Timer counter can update new config when TE from “0” to “1”;

FSEL[1], FSEL[0]: FOUT frequency setting:

| FSEL[1] | FSEL[0] | FOUT Frequency      |
|---------|---------|---------------------|
| 0       | 0       | 32.768KHz (Default) |
| 0       | 1       | 1024Hz              |
| 1       | 0       | 1Hz                 |
| 1       | 1       | 32.768KHz           |

TSEL[1], TSEL[0]: Timer countdown period(source clock) setting:

| TSEL[1] | TSEL[0] | Source clock |
|---------|---------|--------------|
| 0       | 0       | 4096Hz       |
| 0       | 1       | 64Hz         |
| 1       | 0       | 1Hz          |
| 1       | 1       | 1/60Hz       |

## 6.2.5 Flag registers

| Address | Function      | bit7 | bit6 | bit5 | bit4 | bit3 | bit2 | bit1 | bit0 | Default |
|---------|---------------|------|------|------|------|------|------|------|------|---------|
| 0x0E/1E | Flag Register | ○    | ○    | UF   | TF   | AF   | ○    | VLF  | VDET | 0x03    |

UF: Update flag bit. When time update interrupt event occurs, it will be set to “1” and keeps “1” until a “0” is written to it.

TF: Timer Flag bit. When a fixed-cycle timer interrupt event occurs, it will be set to “1” and keeps “1” until a “0” is written to it.

AF: Alarm Flag bit. When an alarm interrupt event occurs, it will be set to “1” and keeps “1” until a “0” is written to it.



VLF: Voltage Low Flag bit. When supply voltage is lower than 1.4V, it will be set to “1” and keeps “1” until a “0” is written to it.

VDET: Voltage Detection Flag bit. When supply voltage is lower than 2.1V, it will be set to “1” and keeps “1” until a “0” is written to it.

## 6.2.6 Control registers

| Address | Function         | bit7     | bit6     | bit5 | bit4 | bit3 | bit2 | bit1 | bit0  | Default |
|---------|------------------|----------|----------|------|------|------|------|------|-------|---------|
| 0x0F/1F | Control Register | CSEL [1] | CSEL [0] | UIE  | TIE  | AIE  | ○    | ○    | RESET | 0x40    |

CSEL[1], CSEL[0]: Compensation interval Select 1, 0 bits, used to set temperature compensation interval.

| CSEL[1] | CSEL[0] | Compensation interval |
|---------|---------|-----------------------|
| 0       | 0       | 0.5s                  |
| 0       | 1       | 2s(default)           |
| 1       | 0       | 10s                   |
| 1       | 1       | 30s                   |

UIE: Update Interrupt Enable bit. When UF changes from “0” to “1”, this bit controls if an interrupt signal is generated. 0-disable (/INT keeps Hi-Z), 1-enable (/INT status changes from Hi-Z to Low).

TIE: Timer Interrupt Enable bit: When TF changes from “0” to “1”, this bit controls if an interrupt signal is generated. 0-disable (/INT keeps Hi-Z), 1-enable (/INT status changes from Hi-Z to Low).

AIE: Alarm Interrupt Enable bit: When AF changes from “0” to “1”, this bit controls if an interrupt signal is generated. 0-disable (/INT keeps Hi-Z), 1-enable (/INT status changes from Hi-Z to Low).

RESET: Reset IC, prepared for the synchronized starting of time or timer.

## 6.2.7 Temperature register

| Address | Function | bit7 | bit6 | bit5 | bit4 | bit3 | bit2 | bit1 | bit0 | Default |
|---------|----------|------|------|------|------|------|------|------|------|---------|
| 0x17    | TEMP     | 128  | 64   | 32   | 16   | 8    | 4    | 2    | 1    | 0x00    |

Read digital temperature data, Temp [°C] = (TEMP[7:0] \* 2 - 187.19) / 3.218.

## 6.2.8 Battery Backup switchover register

| Address | Function        | bit7 | bit6 | bit5 | bit4 | bit3     | bit2  | bit1      | bit0      | Default |
|---------|-----------------|------|------|------|------|----------|-------|-----------|-----------|---------|
| 0x18    | Backup Function | ○    | ○    | ○    | ○    | VDET OFF | SWOFF | BKSMP [1] | BKSMP [0] | 0x00    |

This register controls the power switchover function. Once abnormal VDD is detected, it will be switched to use battery as the power supply.

The power circuit diagram is shown below:



VDETOFF (Voltage Detector OFF): Main power supply VDD voltage detection control bit. 0-enable detection function (Default), VDD voltage will be detected once a second; 1-disable detection function.

SWOFF (Switch OFF): Switch K1 control bit. 0- close (Default); 1- open

BKSMP[1], BKSMP[0](Backup mode Sampling time): Control the voltage detection sampling time. Default: 00.

Table12. VDD Voltage Sampling Time

| VDD Detect Function | VDETOFF | SWOFF | BKSMP [1] | BKSMP [0] | VDD Voltage Sampling Time | Switch K1 ON/OFF | Notes    |
|---------------------|---------|-------|-----------|-----------|---------------------------|------------------|----------|
| ON                  | 0       | X     | 0         | 0         | 2ms                       | 2ms OFF          | Default  |
|                     |         |       | 0         | 1         | 16ms                      | 16ms OFF         |          |
|                     |         |       | 1         | 0         | 128ms                     | 128ms OFF        |          |
|                     |         |       | 1         | 1         | 256ms                     | 256ms OFF        |          |
| OFF                 | 1       | 0     | x         | x         | OFF                       | ON               | K1 Close |
|                     |         | 1     | x         | x         | OFF                       | OFF              | K1 Open  |

### 6.2.9 Device ID register

| Address | Function  | bit7          | bit6 | bit5 | bit4 | bit3     | bit2 | bit1 | bit0 | Default |
|---------|-----------|---------------|------|------|------|----------|------|------|------|---------|
| 0x20    | Device ID | VendorID[3:0] |      |      |      | Ver[3:0] |      |      |      | 0xD2    |

VendorID[3:0]: The fixed value is defined as VendorID[3:0]=1101b=Dh to represent DAPU.

Ver[3:0]: version of the IC

### 6.2.10 Control Register 1

| Address | Function           | bit7                  | bit6 | bit5 | bit4 | bit3 | bit2 | bit1 | bit0   | Default |
|---------|--------------------|-----------------------|------|------|------|------|------|------|--------|---------|
| 0x21    | Control Register 1 | Reserved: must be 0x8 |      |      |      | 0    | 0    | 0    | VBATSW | 0x80    |

VBATSW: Battery supply switch K2 control bit. Default 0, 0- Open, 1-Close.

### 6.2.11 Sub-second timer register

| Address | Function | bit7     | bit6 | bit5 | bit4 | bit3        | bit2 | bit1 | bit0 | Default |
|---------|----------|----------|------|------|------|-------------|------|------|------|---------|
| 0x27    | SubSEC   | Reserved |      |      |      | SubSEC[3:0] |      |      |      | 0x00    |

SubSEC[3:0]: sub second bit, and unit is 1/16s.





## 7 I<sup>2</sup>C Bus Interface



I<sup>2</sup>C bus supports bi-directional communications through a serial clock line SCL and a serial data line SDA. I<sup>2</sup>C bus device can be defined as “Master” and “Slave”. INS5T8900 can only be used as Slave.

### 7.1 Cautions

I<sup>2</sup>C bus includes START, RESTART, STOP conditions, the duration between START and STOP must be less than 1 second just in case the bus to be set to standby mode automatically. A new START condition must be transferred before restarting of any communications.

INS5T8900 I<sup>2</sup>C bus interface supports single byte read/write operations as well as multiple bytes incremental access. After 0xFF address, the next one will be 0x00.

### 7.2 Slave Address

**Table13. I<sup>2</sup>C Bus Slave Address**

| Transfer data | Slave address |      |      |      |      |      |      | R/W       |
|---------------|---------------|------|------|------|------|------|------|-----------|
|               | bit7          | bit6 | bit5 | bit4 | bit3 | bit2 | bit1 | bit0      |
| 65h (Read)    | 0             | 1    | 1    | 0    | 0    | 1    | 0    | 1 (Read)  |
| 64h (Write)   |               |      |      |      |      |      |      | 0 (Write) |

INS5T8900 I<sup>2</sup>C bus Slave Address is [0110 010\*].

### 7.3 I<sup>2</sup>C bus protocol

It is assumed CPU is master and INS5T8900 is slave in this section.

#### 7.3.1 Write process

I<sup>2</sup>C bus includes an address auto-increment function, once the initial address has been specified, the



INS5T8900 increments (+1) the address automatically after each data is sent, then to write next data.

- (1) CPU sends start condition[S]
- (2) CPU sends INS5T8900's slave address with R/W bit to set to write mode
- (3) CPU verifies ACK signal from INS5T8900
- (4) CPU sends write address to INS5T8900
- (5) CPU verifies ACK signal from INS5T8900
- (6) CPU sends write data to the address specified at step (4)
- (7) CPU verifies ACK signal from INS5T8900
- (8) Repeat (6) (7) if multiple bytes need to be written, address will be incremented automatically
- (9) CPU ends stop condition[P]



### 7.3.2 Read process

Writing the address to be read with write mode firstly, then reading the data with read mode.

- (1) CPU sends start condition[S]
- (2) CPU sends INS5T8900's slave address with R/W bit to set to write mode
- (3) CPU verifies ACK signal from INS5T8900
- (4) CPU sends address for reading from INS5T8900
- (5) CPU verifies ACK signal from INS5T8900
- (6) CPU sends RESTART condition [Sr]
- (7) CPU sends INS5T8900's slave address with R/W bit to set to read mode
- (8) CPU verifies ACK signal from INS5T8900
- (9) CPU reads data from the specified address in step (4)
- (10) CPU sends ACK signal for "0"
- (11) Repeat (9) (10) if multiple bytes need to be read, address will be incremented automatically
- (12) CPU sends ACK signal for "1"
- (13) CPU sends stop condition[P]





# 8 Reflow Soldering Curve

Standard: IPC/JEDEC J-STD-020

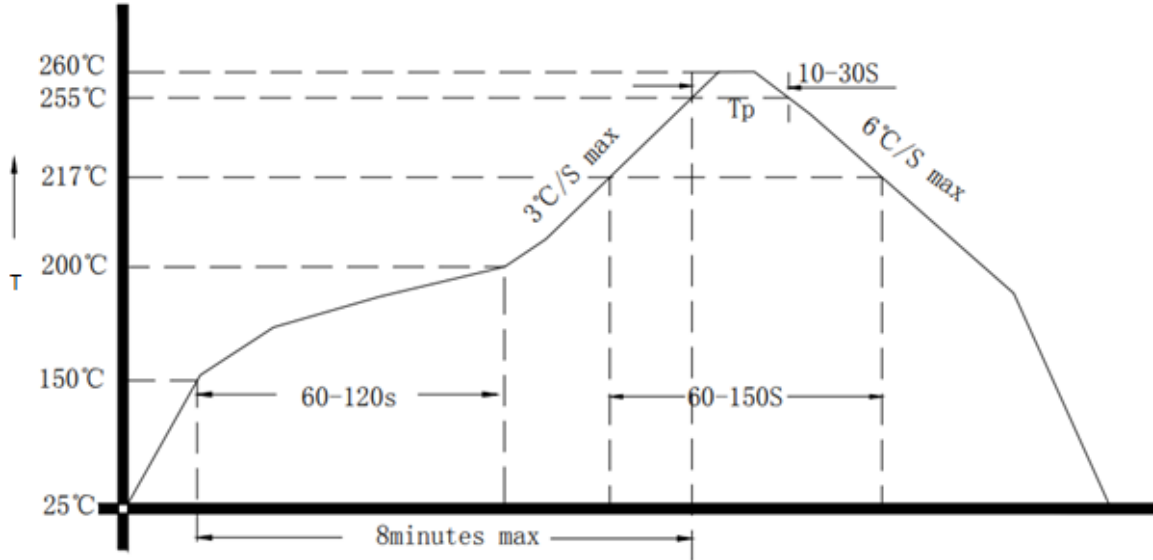


Figure 3. Reflow Soldering Curve

Note: It is suggested to solder IC under the condition shown in the curve above. Must pay attention to the temperature and time when manual soldering, if the temperature over +260°C, or you will make the xo performance bad, even damage it.

## 9 Dimensions



| Dimension | Min. | Typ. | Max. |
|-----------|------|------|------|
| <b>A</b>  | 3.0  | 3.2  | 3.4  |
| <b>B</b>  | 2.3  | 2.5  | 2.7  |
| <b>C</b>  | --   | 1.0  | --   |
| <b>E</b>  | --   | 0.3  | --   |
| <b>F</b>  | --   | 0.4  | --   |
| <b>G</b>  | --   | 0.6  | --   |
| <b>H</b>  | --   | 1.3  | --   |
| <b>F1</b> | --   | 0.45 | --   |
| <b>F2</b> | --   | 0.3  | --   |

Unit: mm

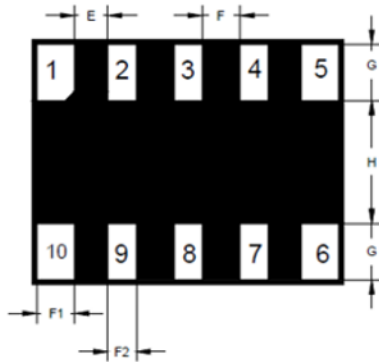
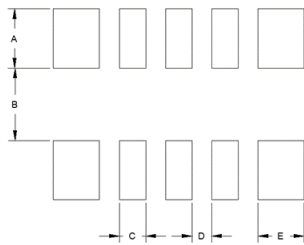


Figure 4. Dimension

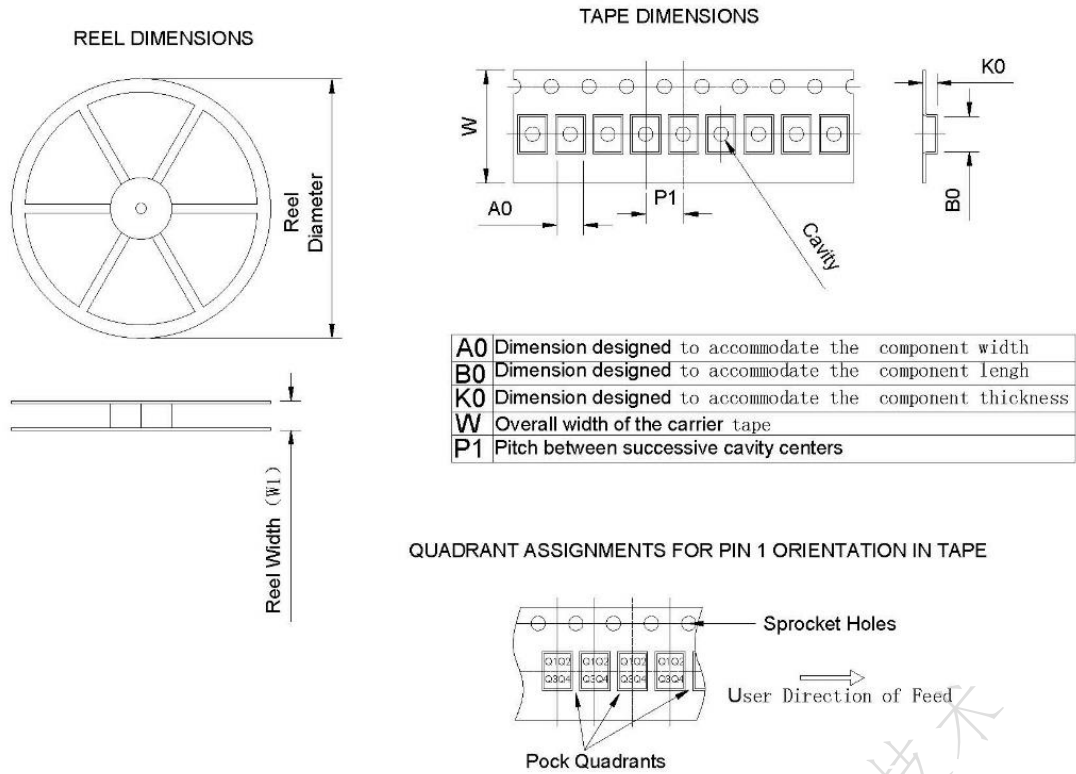


| Dimension | Max. |
|-----------|------|
| <b>A</b>  | 0.9  |
| <b>B</b>  | 1.1  |
| <b>C</b>  | 0.4  |
| <b>D</b>  | 0.3  |
| <b>E</b>  | 0.7  |

Unit: mm

Figure 5. Recommended Soldering Pattern

# 10 Package



QUADRANT ASSIGNMENTS FOR PIN 1 ORIENTATION IN TAPE

| Device                 | Package Type | Pins | SPQ  | Reel Diameter (mm) | Reel Width W1(mm) | A0 (mm) | B0 (mm) | K0 (mm) | P1 (mm) | W (mm) | PIN1 Quadrant |
|------------------------|--------------|------|------|--------------------|-------------------|---------|---------|---------|---------|--------|---------------|
| INS5T8900-2DEY000Y00SA | LGA          | 10   | 3000 | 180                | 11.6±2.0          | 3.00    | 3.70    | 1.50    | 4.00    | 8.00   | Q1            |
| INS5T8900-2DEX000Y00SA | LGA          | 10   | 3000 | 180                | 11.6±2.0          | 3.00    | 3.70    | 1.50    | 4.00    | 8.00   | Q1            |

Figure 6. Package