



To Customer: \_\_\_\_\_

# Temperature Compensated Crystal Oscillator (TCXO)

**INS9A8804**

## Datasheet

Document Version 1.0

Released on November 16th, 2023

### Ordering Information

Manufacture Part Number	Product Name	Description
INS9A8804-6BWY000N00SA	INS9A8804	SMD3225, $\pm 5\text{ppm}$ @ $-40^{\circ}\text{C} \sim +90^{\circ}\text{C}$ $\pm 20\text{ppm}$ @ $+90^{\circ}\text{C} \sim +105^{\circ}\text{C}$

## Guangdong Dapu Telecom Technology Co., Ltd

Bldg 5, SSL Modern Enterprise Accelerator Zone, Dongguan City, Guangdong Province, PRC China

TEL:0086-0769-88010888

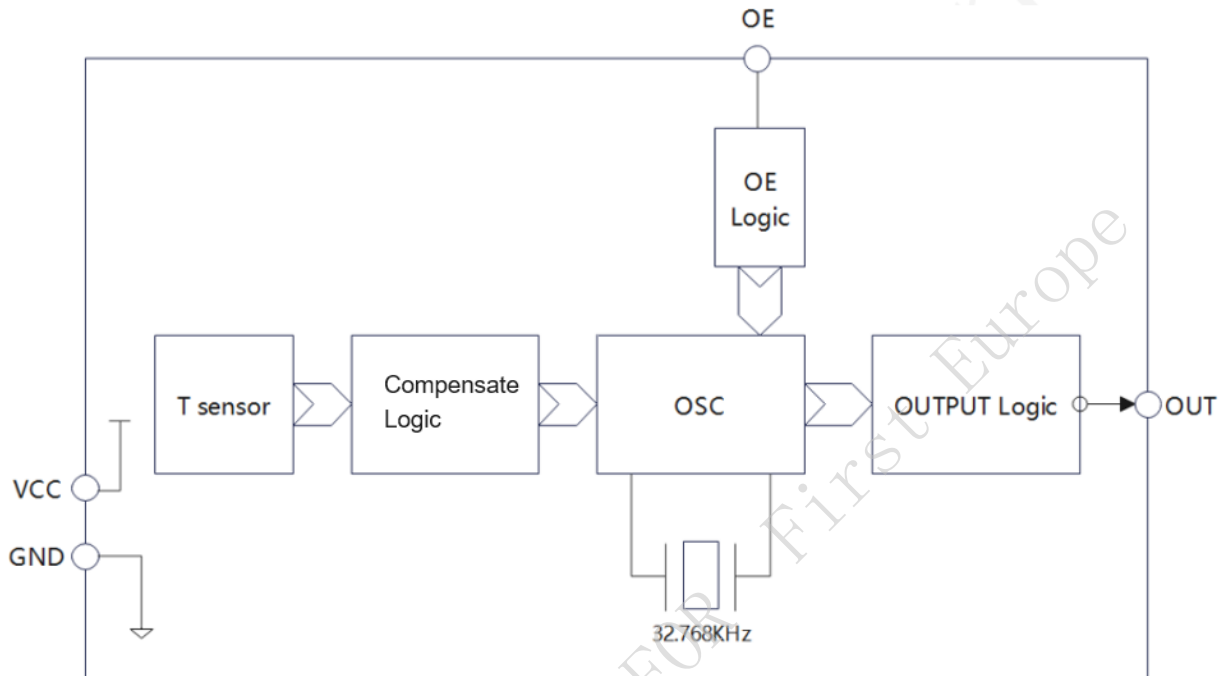
FAX:0086-0769-81800098



## Key Features

- Low current consumption: 1.8uA (Typ.)
- High stability:
  - ±5ppm @ -40°C~+90°C
  - ±20ppm @ +90°C~+105°C
- Power Supply Voltage: 1.8V~5.5V
- Operation Temperature Range: -40°C~+105°C
- Package: 3.2mm × 2.5mm × 0.9mm
- AEC-Q100 Compliant
- RoHS2.0 & REACH compliant

## Block Diagram



## Overview

INS9A8804 is a low power consumption and wide temperature range TCXO. The SMD3225 package with only 0.9mm thickness and AEC-Q100 compliant makes it suitable for automotive applications.

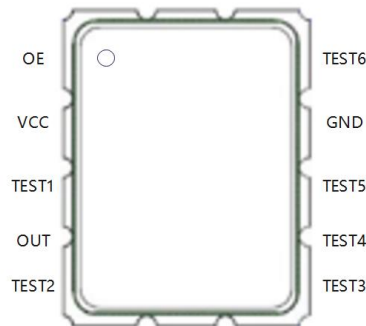


## CONTENTS

<b>CONTENTS .....</b>	<b>3</b>
<b>1 PIN DEFINITION .....</b>	<b>4</b>
<b>2 ELECTRICAL CHARACTERISTICS .....</b>	<b>5</b>
2.1 ABSOLUTE MAXIMUM RATINGS .....	5
2.2 RECOMMENDED OPERATING CONDITIONS.....	5
2.3 FREQUENCY CHARACTERISTICS .....	5
2.4 DC CHARACTERISTICS .....	6
<b>3 REFLOW SOLDERING CURVE .....</b>	<b>7</b>
<b>4 DIMENSIONS.....</b>	<b>8</b>
<b>5 PACKAGE.....</b>	<b>9</b>
<b>6 REVISION HISTORY .....</b>	<b>10</b>



# 1 Pin definition



**Table1. Pin Definition**

Pin Number	Pin Name	I/O	Description
1	OE	In	OUT control pin. “1”- enable OUT, “0”-OUT Hi-Z. OE pin is active HIGH input, Do not leave floating.
2	V <sub>cc</sub>	-	Power supply
3	TEST1	-	For manufacture test, suggest to connect to GND or keep floating. If this pin connects to VCC, the power consumption will increase to about 8uA.
4	OUT	Out	Frequency output (CMOS). Controlled by OE.
5	TEST2	-	For manufacture test, connect to GND.
6	TEST3	-	For manufacture test, connect to GND or keep floating.
7	TEST4	-	For manufacture test, connect to GND.
8	TEST5	-	For manufacture test, connect to GND or keep floating.
9	GND	-	Ground
10	TEST6	-	For manufacture test, connect to GND or keep floating.



## 2 Electrical Characteristics

### 2.1 Absolute Maximum Ratings

**Table2. Absolute Maximum Ratings**

Parameter	Symbol	Value			Unit	Notes
		Min.	Typ.	Max.		
Power Supply Voltage	V <sub>cc</sub>	-0.3		6.5	V	
Input Voltage	V <sub>IN</sub>	GND-0.3		6.5	V	OE
Output Voltage	V <sub>OUT</sub>	GND-0.3		V <sub>DD</sub> +0.3	V	OUT
Storage temperature	T <sub>STG</sub>	-55		125	°C	

### 2.2 Recommended Operating Conditions

**Table3. Recommended Operating Conditions**

Parameter	Symbol	Value			Unit	Notes
		Min.	Typ.	Max.		
Power Supply Voltage	V <sub>CC</sub>	1.8	3.0	5.5	V	
Current consumption	I <sub>DD</sub>		1.8		uA	@25°C, V <sub>CC</sub> =3V
Operation temperature	T <sub>OPR</sub>	-40	25	105	°C	
Output Load	L <sub>CMOS</sub>			30	pF	

Note 1: After power off, ensure that V<sub>CC</sub>=GND for more than 10 seconds before next power on cycle.

### 2.3 Frequency Characteristics

**Table4. Frequency Characteristics**

Parameter	Symbol	Value			Unit	Notes
		Min.	Typ.	Max.		
Output Frequency	f <sub>out</sub>	-	32.768	-	kHz	
Frequency stability	Δf/f	-5		+5	ppm	-40°C~+90°C
Frequency stability	Δf/f	-20		+20	ppm	+90°C~+105°C
Frequency vs voltage	f-vcc	-1		+1	ppm	V <sub>cc</sub> =1.8V~5.5V
Oscillation start time	t <sub>STA</sub>			1	s	@25°C, V <sub>cc</sub> =3V
				3		@-40°C~105°C, V <sub>cc</sub> =3V
Year Aging	f <sub>a</sub>	-5		+5	ppm	@25°C, First year



Parameter	Symbol	Value			Unit	Notes
		Min.	Typ.	Max.		
OUT duty cycle	$t_{w/t}$	40	50	60	%	

## 2.4 DC Characteristics

**Table5. DC Characteristics**

Parameter	Symbol	Value			Unit	Notes	
		Min.	Typ.	Max.			
Average Current consumption1	$I_{CC1}$		1.9	26	uA	$V_{CC}=5.0V$	OE=GND, OUT: Hi-Z
Average Current consumption2	$I_{CC2}$		1.8	25			
Average Current consumption3	$I_{CC3}$		4.8	30	uA	$V_{CC}=5.0V$	OE= $V_{CC}$ , OUT:32.768kHz, no load;
Average Current consumption4	$I_{CC4}$		2.8	28			
High-level input voltage	$V_{IH}$	$0.8 \cdot V_{CC}$		$V_{CC}$	V	OE pin	
Low-level input voltage	$V_{IL}$	GND-0.3		$0.2 \cdot V_{CC}$	V		
High-level output voltage	$V_{OH1}$	4.0		5.0	V	$V_{CC} = 5.0V, I_{OH} = -1mA$	OUT pin
	$V_{OH2}$	2.2		3.0		$V_{CC} = 3.0V, I_{OH} = -1mA$	
Low-level output voltage	$V_{OL1}$	GND		GND+0.5	V	$V_{CC} = 5.0V, I_{OL} = 1mA$	OUT pin
	$V_{OL2}$	GND		GND+0.8		$V_{CC} = 3.0V, I_{OL} = 1mA$	
Input leakage current	$I_{LK}$	-0.5		0.5	uA	OE pin, $V_{IN} = V_{CC}$ or GND	



### 3 Reflow Soldering Curve

Standard: IPC/JEDEC J-STD-020

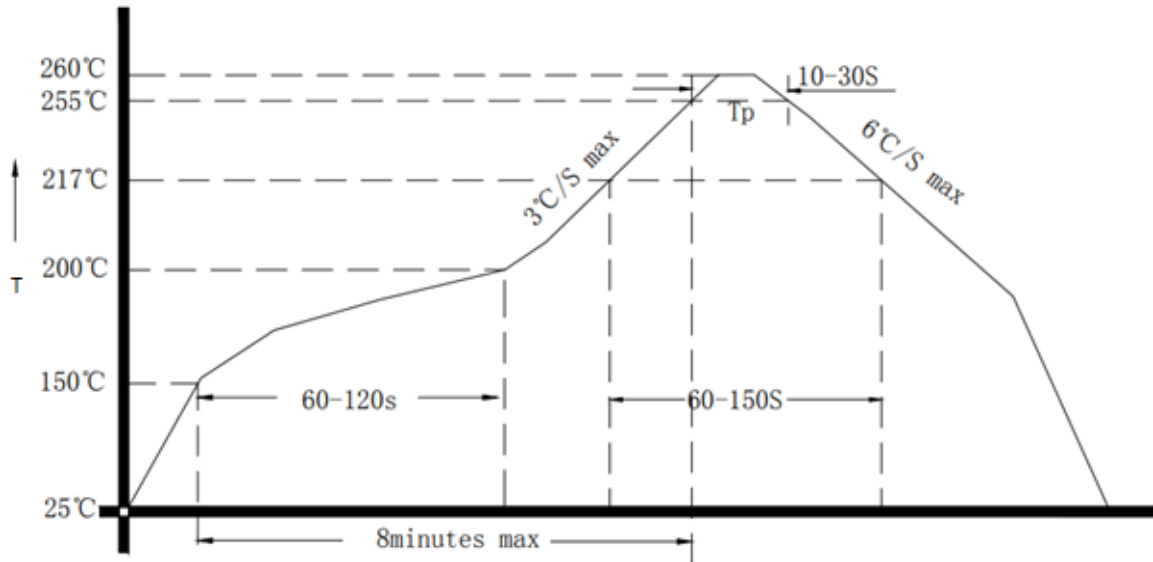
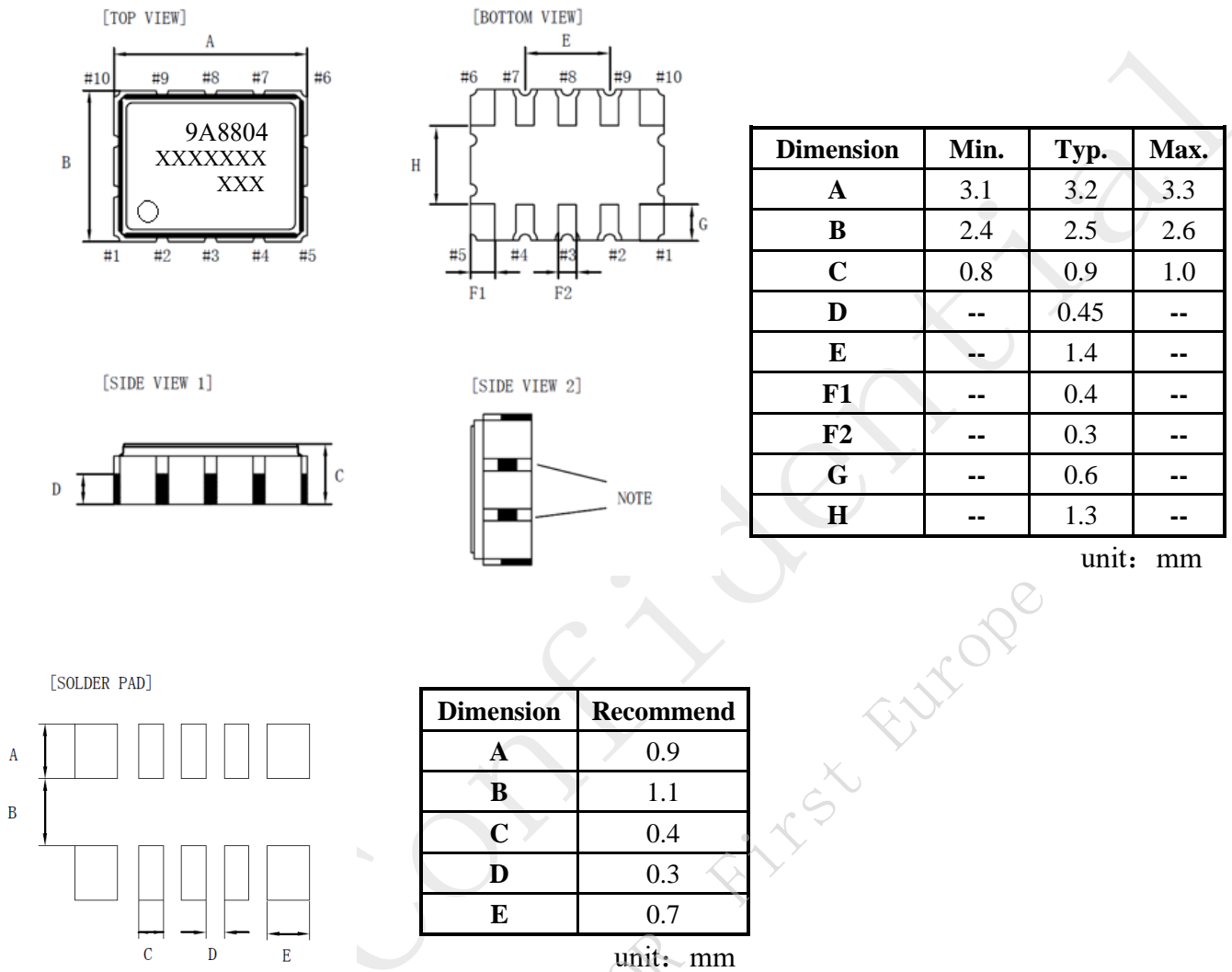


Figure 1. Reflow Soldering Curve

Note: It is suggested to solder IC under the condition shown in the curve above. Must pay attention to the temperature and time when manual soldering, if the temperature over +260°C, or you will make the xo performance bad, even damage it.



## 4 Dimensions



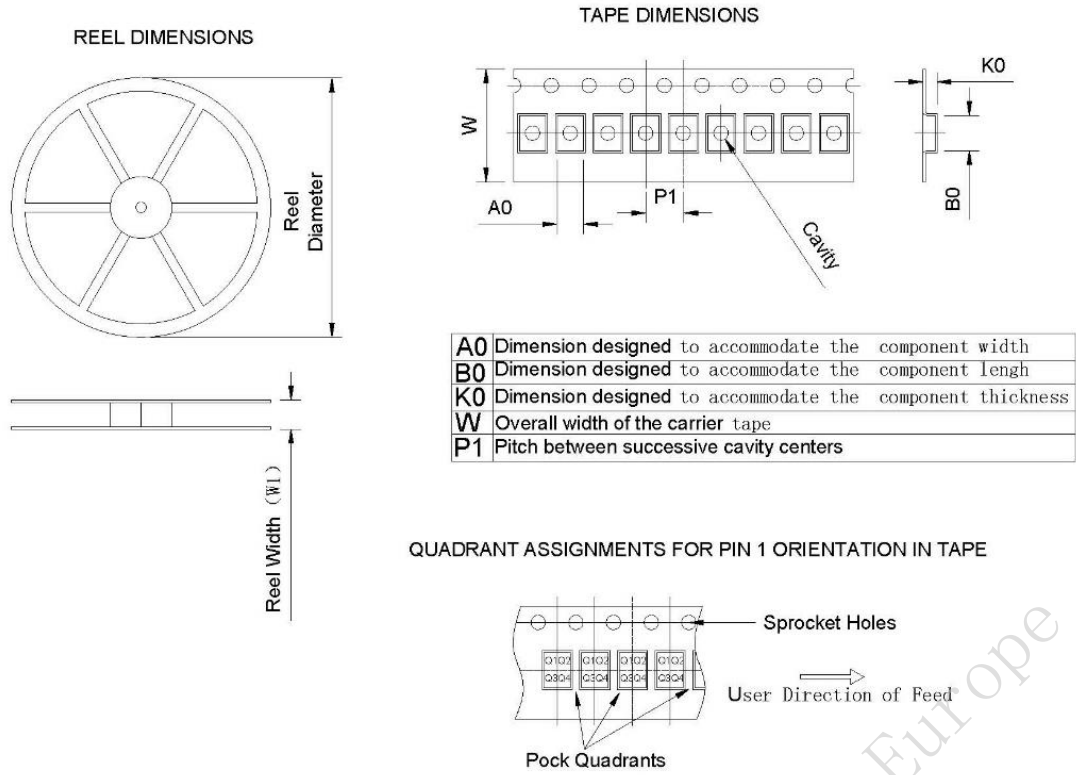
Note: The metal surface on the side shown in the figure is used for crystal test. Please avoid short circuit caused by contact between the metal surface and other electrical networks or other device surfaces during design and assembly.

Figure 2. Recommended Solder Pad and Dimensions





# 5 Package



Device	Package Type	Pins	SPQ	Reel Diameter (mm)	Reel Width W1(mm)	A0 (mm)	B0 (mm)	K0 (mm)	P1 (mm)	W (mm)	PIN1 Quadrant
INS9A8804	Ceramic	10	3000	180	11.6±2.0	3.00	3.70	1.50	4	8.00	Q1

Figure 3. Package



## 6 Revision History

Version	Change Contents	Prepared by	RevisedDate
V1.0	First issued		2023.11.16

DAPU Confidential  
FOR First Europe