

Travelling Merchant: \_\_\_\_\_

# DATASHEET

Standard:       **V756-C315-32.64MHz**      P/N:       **Z75ZCYS32640**      

Plot			The Label
Drew	Audited	Approved	
Date: 2014.10.29			
			Stamp, please! Thanks!

## Guangdong Dapu Telecom Technology Co.,Ltd

Bldg13-16,.N.Ind.Zone,SSL Industry Park, Dongguan City, Guangdong Province, China

TEL: 0086-0769-88010888 FAX: 0086-0769-81800098





## 1. Electrical Parameter

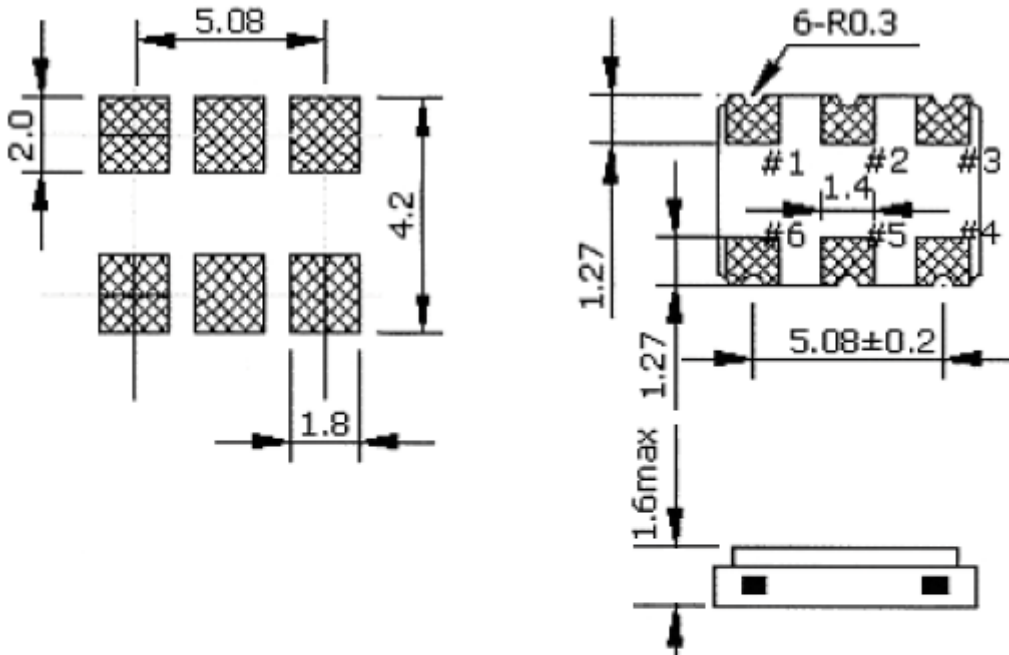
Parameters	SYM	Electrical Spec.				Notes
		Min.	Typ.	Max.	Units	
<b>Frequency Stabilities</b>						
Nominal Frequency	F <sub>N</sub>	32.64			MHz	
Frequency Stability	F <sub>STAB</sub>	-50		+50	× 10 <sup>-6</sup>	Ref. +25°C
Initial Tolerance		-20		+20	× 10 <sup>-6</sup>	@25°C
Vs. aging /1.year		-3		+3	× 10 <sup>-6</sup>	@25°C, V <sub>C</sub> =1.65V, V <sub>CC</sub> =3.3V, Load=15 pF
<b>RF Output</b>						
Output Waveform		HCMOS				
Load	I <sub>OUT</sub>	15			pF	
Output Voltage High	V <sub>OH</sub>	0.9V <sub>CC</sub>			V	
Output Voltage Low	V <sub>OL</sub>			0.1V <sub>CC</sub>	V	
Rise / Fall Time	T <sub>r</sub> / T <sub>f</sub>			5	ns	10%-90%
Symmetry	SYM	40	~	60	%	@50%
Start-up Time	T <sub>S</sub>			10	ms	
<b>Supply Voltage</b>						
Supply Voltage	V <sub>CC</sub>	2.97	3.3	3.63	V	
Input Current	I <sub>CC</sub>			15	mA	
<b>Control Voltage</b>						
Control Voltage Rang	V <sub>C</sub>	0		3.3	V	V <sub>C</sub> =1.65V
Frequency Tuning Range	PR	± 100			× 10 <sup>-6</sup>	
Enable Control		Yes				Pad 2
Output Enable	V <sub>IH</sub>	0.9V <sub>CC</sub>			V	
Output Disable	V <sub>IL</sub>			0.1V <sub>CC</sub>	V	
<b>Phase Noise</b>						
Jitter				1	ps	RMS(12KHz to 20MHz)
Phase Noise				-70	dBc/Hz	10Hz
				-110		100Hz
				-130		1KHz
				-145		10KHz
				-150		100KHz



Environmental Conditions						
Operating Temperature	T <sub>OP</sub>	-40	~	85	°C	
Storage Temperature	T <sub>ST</sub>	-55	~	125	°C	
ESD Level	Human Body Model, class2: 2000V to 4000V; ANSI/ESDA/JEDEC JS-001-2010.					
	Machine Model, class B: 200V to 400V; ANSI/ESDA/JEDEC JS-001-2010.					
Moisture Sensitivity Level	Level 2.					
Vibration	Test Condition: 0.75mm; acceleration:10g;10Hz~2000Hz, one cycle per 30 min, test 2 hour. (3 times for each 3 directions X ,Y , Z) .IEC 68-2-06 Test Fc.					
Shock	100g; 6ms; half sine wave (3 times for each 3 directions X ,Y, Z ),IEC 68-2-27 Test Ea/Severity 50A.					

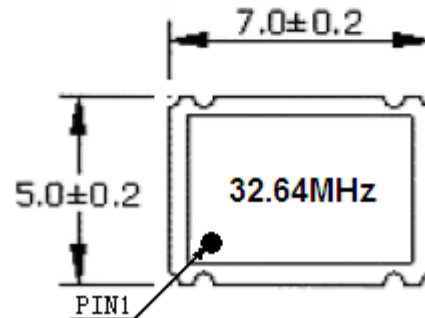


## 2、 Mechanical Structure(mm)



PIN FUNCTION

PIN	NOTATION	FUNCTION
1	VC	Control Voltage
2	NC	Not Connect
3	GND	GND
4	OUTPUT	RF Output
5	E/D	Output Enable/Disable
6	VCC	Supply Voltage



**Note1:** Tolerance ±0.1mm without mark

**Note2:** Referential Weight 0.3g

**Note3:** NC is not connect

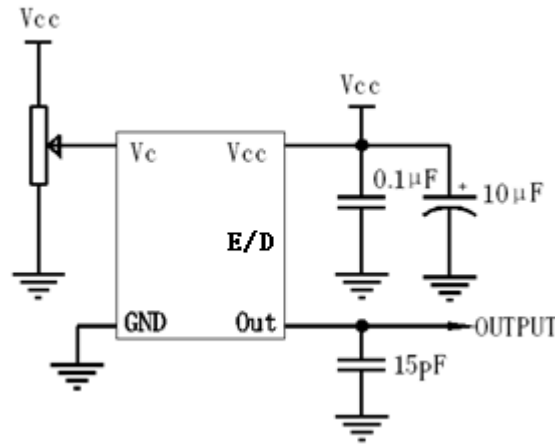
**Note4:** Disable:  $V_{il} \leq 0.1V_{cc}$

Enable:  $V_{ih} \geq 0.9V_{cc}$

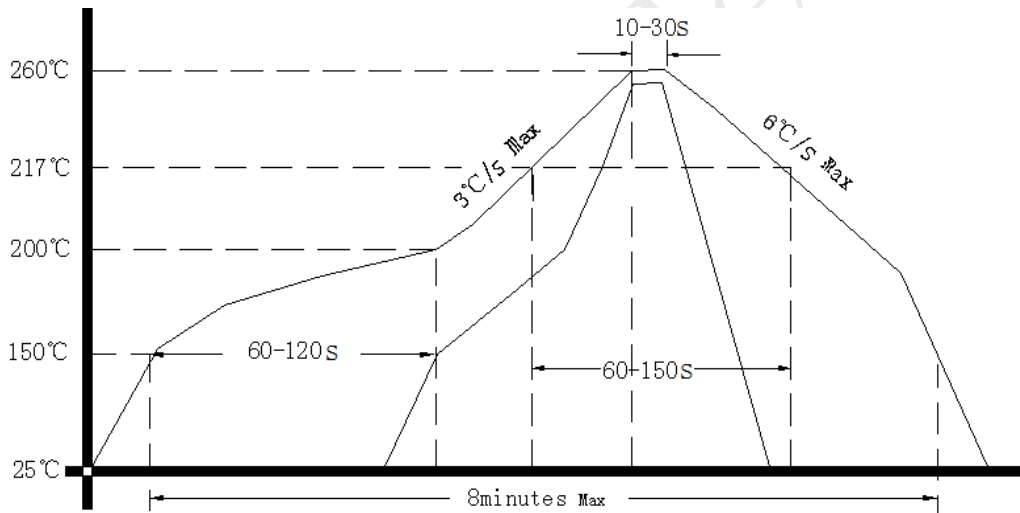
E/D	OUT
high level, open	data
low level	no data



### 3、 Test circuit



### 4、 Reflow Soldering Curve (RoHS)



### 5、 Package: Tape & Reel (mm)

