

Travelling Merchant: \_\_\_\_\_

# DATASHEET

Standard:     **T75B-C819-12.80MHz**    

Plot			The Label
Drew	Audited	Approved	Stamp, please! Thanks!
Date: 2019.05.13			

**Guangdong Dapu Telecom Technology Co.,Ltd**

Bldg13-16,.N.Ind.Zone,SSL Industry Park, Dongguan City, Guangdong Province, China

TEL: 0086-0769-88010888 FAX: 0086-0769-81800098



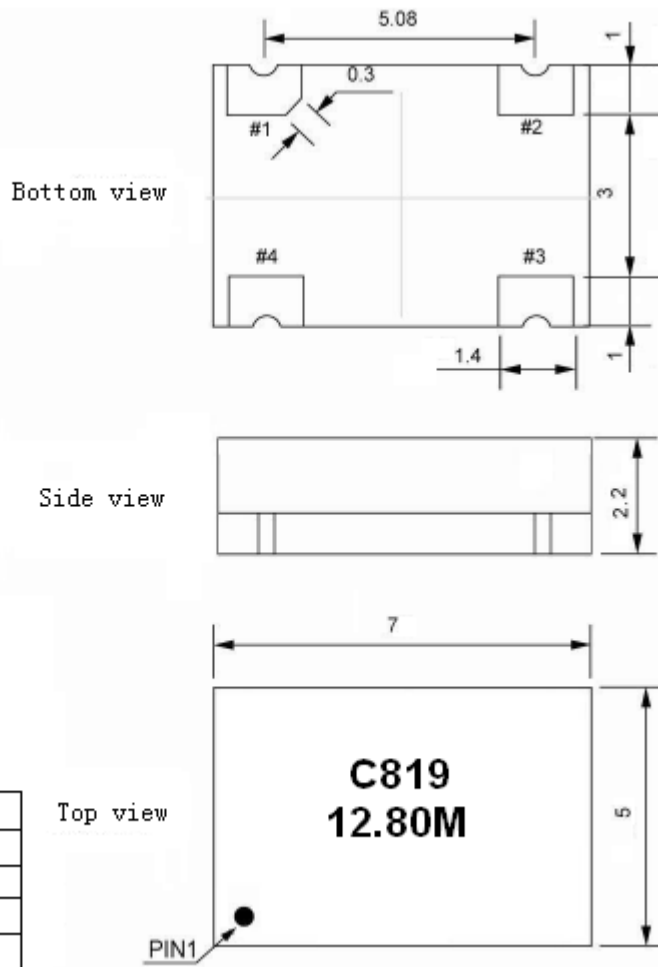
## 1. Electrical Parameters

MODEL: T75B-C819-12.80MHz						
Item	Description	Parameters			Unit	Test Condition
		Min.	Typ.	Max.		
Output	Frequency	12.80			MHz	
	Output Waveform	LVCMOS				
	Output Low Voltage			0.4	V	$V_{cc}=3.3V, O_{load}=15\text{ pF}$
	Output High Voltage	2.4			V	$V_{cc}=3.3V, O_{load}=15\text{ pF}$
	Duty Cycle	45	50	55	%	
	Rise / Fall Time (10%~90%)			7	ns	@25°C
	Load	15			pF	
Frequency Stabilities	Frequency Tolerance vs. Operating Temperature Range	-0.28		+0.28	ppm	$T_A$ varied from -20°C to 70°C, measurement referenced to frequency observed with $T_A = 25^\circ\text{C}, V_{cc} = 3.3V, O_{load} = 15\text{ pF}$ .
	Initial Frequency Tolerance	-1		+1	ppm	Measurement referenced to frequency observed with $T_A = 25^\circ\text{C}, V_{cc} = 3.3V$ , and after 5 minutes of operation, within 30 days after ex-works.
	Calibration	-4.6		+4.6	ppm	@ 25 °C, Temperature -20 °C to 70 °C, Load 15pF±5%, Ageing 20 years.
	Frequency Tolerance vs. Supply Voltage	-0.5		+0.5	ppm	measurement referenced to frequency observed $T_A=25^\circ\text{C}, V_{cc}$ varied from 3.23V to 3.37V, and $O_{Load} = 15\text{ pF}$ .
	Frequency Tolerance vs. Load	-0.2		+0.2	ppm	5% load change measurement referenced to frequency observed with $T_A = 25^\circ\text{C}, V_{cc}=3.3V, O_{Load} = 15\text{ pF}$ .
	Aging Tolerance Per Day	-0.02		+0.02	ppm	$T_A=25^\circ\text{C}, V_{cc}=3.3V$ , and after 1h of operation.
	Aging Tolerance 1 Year	-1		+1	ppm	
Power Supply	Current Consumption		4		mA	@25°C, $V_{cc}=3.3V, O_{load}=15\text{ pF}$ .
	Supply Voltage	3.23	3.3	3.37	V	



Phase Noise	Phase Noise		-90		dBc/Hz	10Hz
			-115			100Hz
			-127			1KHz
			-137			10KHz
			-143			100KHz
Environmental Conditions	Operable Temperature	-20		+70	°C	
	Storage Temperature	-55		+125	°C	
	Vibration	Test Condition: 0.75mm ;acceleration:10g;10Hz~2000Hz, one cycle per 30 min, test 2 hour. (3 times for each 3 directions X , Y , Z) .IEC 68-2-06 Test Fc.				
	Shock	100g; 6ms; half sine wave (3 times for each 3 directions X , Y , Z ),IEC 68-2-27 Test Ea/Severity 50A.				

## 2. Mechanical Structure(mm)



PIN FUNCTION

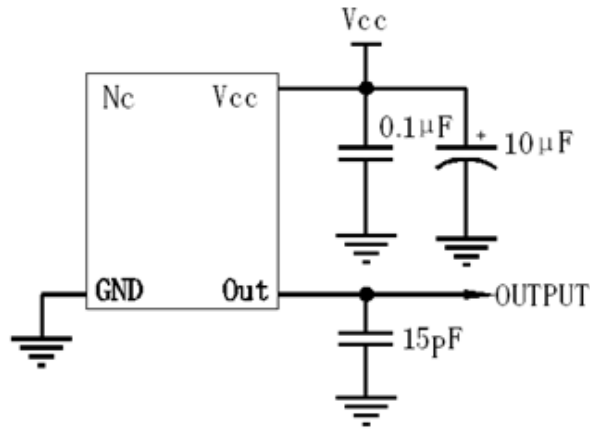
PIN	PUNCTION
1	NC
2	GND
3	OUTPUT
4	VCC

**Note1:** Tolerance  $\pm 0.2$ mm without mark

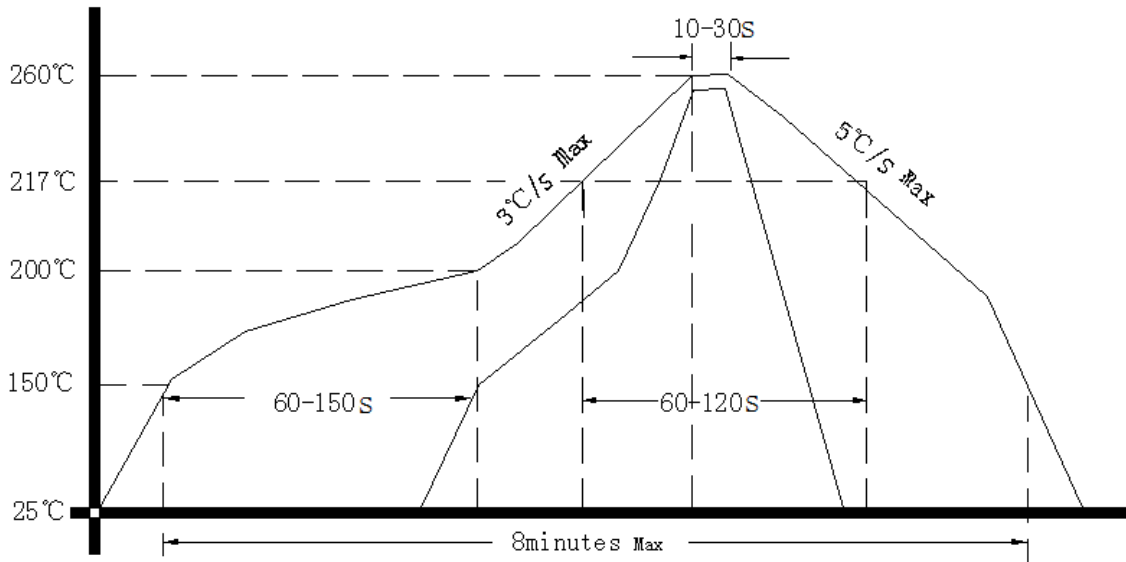
**Note2:** Referential Weight 0.3g



### 3. Test circuit



### 4. Reflow Soldering Curve (RoHS)



### 5. Package: Tape & Reel (mm)

