

Travelling Merchant: \_\_\_\_\_

# DATASHEET

Standard:                   **T22-S573-19.20MHz**                                    **X22ZCYH19202**                  

Plot			The Label
Drew	Audited	Approved	
Date: 2021.11.09			
			Stamp, please! Thanks!

## Guangdong Dapu Telecom Technology Co.,Ltd

Building 5, No.24, Industrial East Road, Songshanhu Park, Dongguan, Guangdong, P.R. China

TEL: 0086-0769-88010888 FAX: 0086-0769-81800098

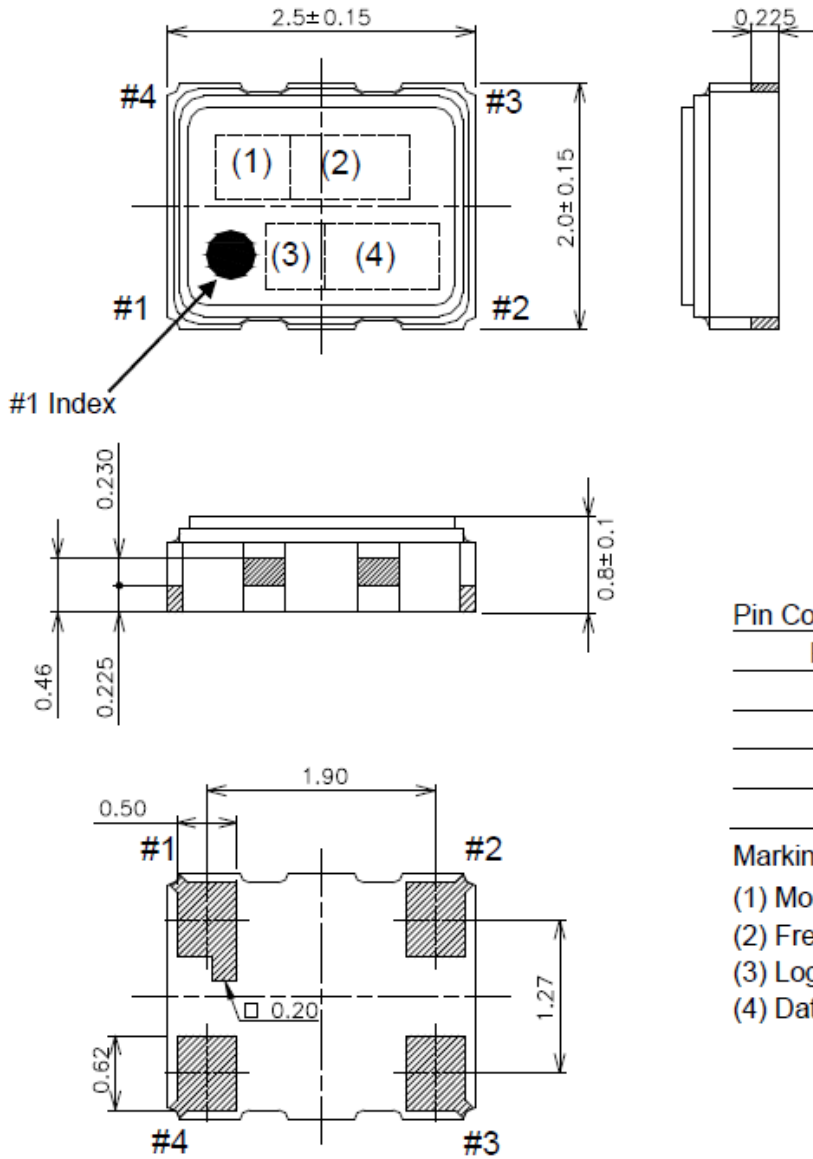


## 1、 Electrical Parameters

MODEL: T22-S573-19.20MHz							
No.	Parameters	SYM.	Electrical Spec.				Notes
			Min.	Typ.	Max.	Units	
1	Nominal Frequency	FL	19.20			MHz	Original frequency
2	Supply Voltage	VDD	2.66	2.8	2.94	V	
3	Current Drain	-	-	-	1.5	mA	
4	Output Level	-	0.8	-	-	Vp-p	
5	Output Waveform	-	Clipped Sine wave			-	
6	Standard Output Load	-	10KΩ//10pF			-	
7	Frequency Stability	vs. Tolerance	-1.5	-	+1.5	× 10 <sup>-6</sup>	After 2 times reflow Ref. to Nominal Frequency
8		vs. Temperature	-0.5	-	+0.5	× 10 <sup>-6</sup>	T <sub>A</sub> varied from -30°C ~ +85°C, Ref. to Frequency T <sub>A</sub> =25°C
9		vs. Load	-0.2	-	+0.2	× 10 <sup>-6</sup>	±10% load change measurement referenced to frequency observed with T <sub>A</sub> = 25°C, V <sub>cc</sub> =2.8V, O <sub>Load</sub> = 10KΩ//10pF .
10		vs. Supply Voltage	-0.2	-	+0.2	× 10 <sup>-6</sup>	V <sub>cc</sub> varied from 2.66V to 2.94V
11	Operating Temperature Range	-	-40	~	+85	°C	
12	Storage Temperature	-	-40	~	+85	°C	
13	Start Up Time	-	-	-	2.0	ms	To 90% of output amplitude)
14	Duty Cycle	-	40	~	60	%	
15	Aging	-	-1.0	-	+1.0	× 10 <sup>-6</sup>	1st Year
16	Frequency Tuning Range	-	-15	-	-9	× 10 <sup>-6</sup>	V <sub>c</sub> = 0.5 V. measurement referenced to V <sub>c</sub> =1.5V
		-	+9	-	+15	× 10 <sup>-6</sup>	V <sub>c</sub> =2.5V. measurement referenced to V <sub>c</sub> =1.5V
17	Linearity	-	-	-	10	%	
18	Slope		Positive				
19	Input Impedance	-	500	-	-	KΩ	
20	Phase Noise	@ 1KHz Offset	-	-	-130	dBc/Hz	
21	ESD Level	Human Body Model,class2: 2000V to 4000V; ANSI/ESDA/JEDEC JS-001-2010.					
		Machine Model, class B: 200V to 400V; JEDEC JESD22-A115C.					
22	Moisture Sensitivity Level	Level 2.					
23	Vibration	Test Condition: 0.75mm ;acceleration:10g;10Hz~2000Hz, one cycle per 30 min, test 2 hour. (3 times for each 3 directions X , Y , Z ).IEC 68-2-06 Test Fc.					
24	Shock	100g; 6ms; half sine wave (3 times for each 3 directions X , Y , Z ),IEC 68-2-27 Test Ea/Severity 50A.					



## 2、Mechanical Structure(mm)



### Pin Connections

Pin No.	Connection
#1	$V_{CONT}$
#2	GND
#3	Output
#4	$V_{CC}$

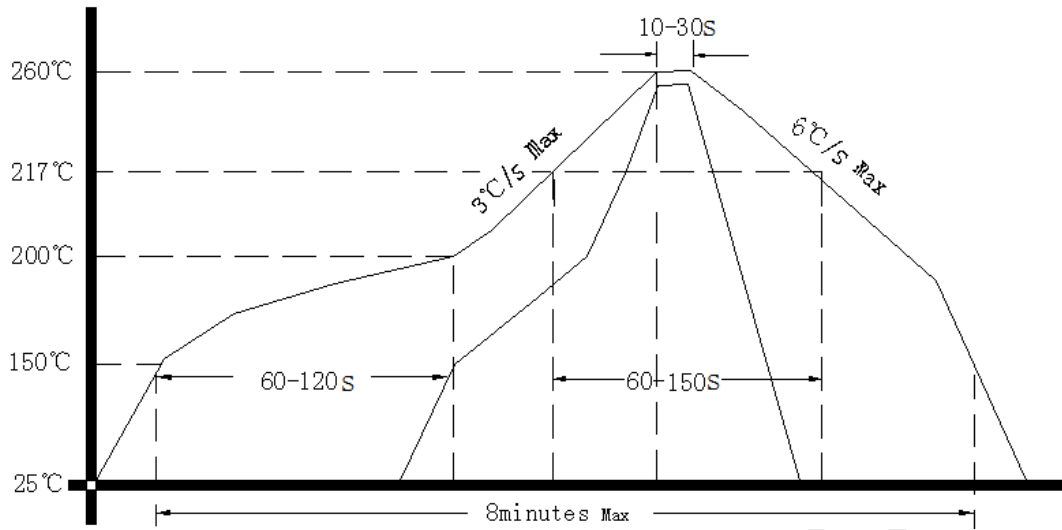
### Marking

(1) Model code	AN
(2) Frequency	19.2 (MHz, 3digits)
(3) Logo	D
(4) Date code	Year (1digit) +Week (2digits) e.g.2015/1/1 → 501

**Note1:** Tolerance  $\pm 0.15$  mm



### 3、 Reflow Soldering Curve (RoHS)



### 4、 Package: Tape & Reel (mm)

